



Transmission and Distribution Products Brochure

Cost Effective & Quality
Metal Solutions



Welcome to Indian Metals Solutions (IMS) Your Trusted Partner in Non-Ferrous and Ferrous Casting & Forging Indian Metals Solutions Private Limited (IMS) is an Indian registered company with manufacturing facilities in India and Sales office in USA. Specializing in non-ferrous and ferrous casting and forging, IMS provides competitive pricing and high-quality products, leveraging its strategic manufacturing locations.

End-to-End Solutions: From manufacturing to supply chain management and warehousing, IMS offers comprehensive services to ensure efficiency and effectiveness. Experienced Team: Our leadership boasts over 100 years of combined experience in the automotive and industrial sectors, along with 40+ years in the electrical components and assembly market. Commitment to Quality: Driven by our Quality Management Systems, we ensure reliable quality and stringent process controls.

Certified Excellence

IMS is ISO 9001:2015 certified, with certified UL testing lab on-site. We are also SMETA certified by Sedex for Labor Standards, Health & Safety, Environmental Assessment, and Business Ethics.

Our Offerings

Explore our wide range of products and services, designed to meet required standards of quality and performance.

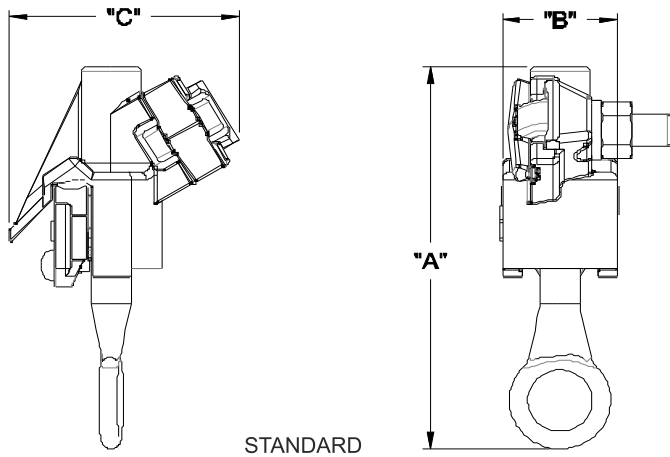
Mission statement

IMS aims to provide consistent quality, cost & on-time delivery to our customers, through continuous improvement in its processes.

Bronze Hot line Clamps

Application

Hot Line Clamps are designed for installing or removing distribution tap connections with standard hot line tools and equipment



Key Features

- » Tested per ANSI C119.4
- » Extended jaw for greater conductor contact.
- Copper alloy castings offer high strength and corrosion resistance.

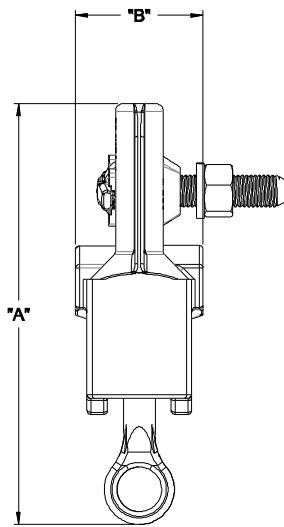
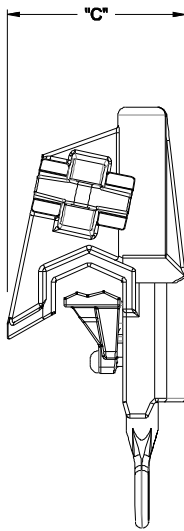
Description	Conductor Range		Dimensions Information			Weight/Case	Per Box	Part No.
	Main	Tap	A	B	C			
Bronze Hot Line Clamp #8-2/0	#8 Solid - 2/0 Stranded .125" - .414"	#8 Solid - 2/0 Stranded .125" - .414"	4-5/16"	1-1/4"	2-1/2"	----	25	IHL20
Bronze Hot Line Clamp #8-2/0 - Tin Plated	#8 Solid - 2/0 Stranded .125" - .414"	#8 Solid - 2/0 Stranded .125" - .414"	4-5/16"	1-1/4"	2-1/2"	----	25	IHL20T
Bronze Hot Line Clamp #6-400MCM	#6 Solid - 4/0 Stranded .162" - .547"	#6 Solid - 4/0 Stranded .162" - .547"	7-1/4"	1-1/4"	2-13/16"	----	25	IHL30
Bronze Hot Line Clamp #6-400MCM - Tin Plated	#6 Solid - 4/0 Stranded .162" - .547"	#6 Solid - 4/0 Stranded .162" - .547"	7-1/4"	1-1/4"	2-13/16"	----	25	IHL30T
Bronze Hot Line Clamp 4/0-800	#4/0 - 800 MCM .502" - 1.031"	#4 - 350	6-5/8"	4-7/8"	2-13/16"	----	25	IHL40
Bronze Hot Line Clamp 4/0-800 - Tin Plated	#4/0 - 800 MCM .502" - 1.031"	#4 - 350	6-5/8"	4-7/8"	2-13/16"	----	25	IHL40T


Body & Keeper - Bronze Alloys
Eye Bolts - Bronze Alloy
Eye Stem - SS 304

Aluminum Hot line Clamps

Application


Hot Line Clamps are designed for installing or removing distribution tap connections with standard hot line tools and equipment



Key Features

- » Tested per ANSI C119.4
- » Extended jaw for greater conductor contact.
- Aluminum alloy castings offer high strength and corrosion resistance.

Description	Conductor Range		Dimensions Information			Weight/ Case	Per Box	Part No.
	Main	Tap	A	B	C			
Aluminum Hot Line Clamp #8-2/0	#8 Solid - 2/0 Stranded .125" - .414"	#8 Solid - 2/0 Stranded .125" - .414"	4-5/16"	1-1/4"	2-1/2"	----	25	IHLA20
Aluminum Hot Line Clamp #6-400MCM	#6 Solid - 397.5 .162" - .745"	#6 Solid - 3/0 Stranded .162" - .547"	6-3/16"	1-3/4"	2-1/2"	----	25	IHLA30
Aluminum Hot Line Clamp #6-400MCM - Heavy Hex Nut	#6 Solid - 397.5 .162" - .745"	#6 Solid - 3/0 Stranded .162" - .547"	6-3/16"	1-3/4"	2-1/2"	----	25	IHLA40
Aluminum Hot Line Clamp 4/0-800	#4/0 - 800 MCM .502" - 1.031"	#8 Solid - 2/0 Stranded .198" - .703"	6-5/8"	2"	2-13/16"	----	25	IHLA60

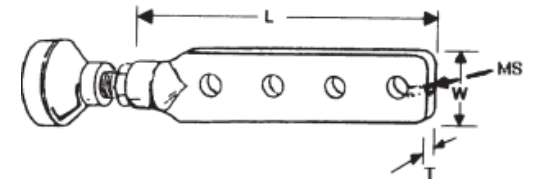
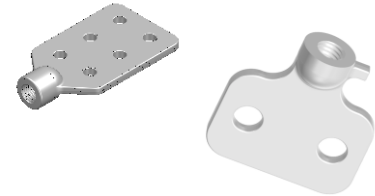
 Body & Keeper - Aluminum
 Eye Bolts - Bronze Alloy
 Eye Stem - SS 304

Spade Terminals (NEMA)

Application

Secured by jam nut to bushing stud.

- Recommended when copper terminals are connected (Use "AXS" style for aluminum terminals.)
- Terminal lug mounting holes are 9/16" diameter with 1-3/4" NEMA spacing. Jam nuts are usually supplied by the transformer manufacturer and are not furnished unless specified.



X'FORMER STUD SIZE	DIMENSIONS INCHES (MM)			APPROX. WT. 100 LBS. (KG)	Per Box	Part No.
	LENGTH	WIDTH	HEIGHT			
5/8"-11	5.12 (130)	1.37 (35)	0.31 (8)	70 (32)	—	ITS01
1"-14	5.06 (129)	1.93 (49)	0.34 (9)	142 (64)	—	ITS02
5/8"-11	8.50 (216)	1.37 (35)	0.31 (8)	120 (54)	—	ITS03
1"-14	8.56 (218)	1.93 (49)	0.34 (9)	215 (98)	—	ITS04
5/8"-11	8.50 (216)	1.37 (35)	0.31 (8)	36 (16)	—	ITS05
1"-14	8.56 (218)	2.00 (50)	0.34 (9)	65 (29)	—	ITS06
5/8"-11	5.37 (136)	3.50 (89)	0.25 (6)	132 (60)	—	ITS07
1"-14	5.87 (149)	3.50 (89)	0.37 (9)	260 (118)	—	ITS08
5/8"-11	5.37 (136)	3.50 (89)	0.25 (6)	39 (18)	—	ITS09
5/8"-11	6.62 (168)	3.50 (89)	0.37 (9)	256 (116)	—	ITS10
1"-14	7.00 (178)	3.50 (89)	0.37 (9)	315 (143)	—	ITS11
1"-14	7.00 (178)	3.50 (89)	0.37 (9)	94 (43)	—	ITS12
5/8"-11	8.37 (213)	3.50 (89)	0.37 (9)	330 (150)	—	ITS13
1"-14	8.75 (222)	3.50 (89)	0.37 (9)	362 (164)	—	ITS14
1-1/4"-12	7.12 (181)	3.50 (89)	0.37 (9)	345 (156)	—	ITS15
1-1/4"-12	9.12 (232)	3.50 (89)	0.37 (9)	445 (202)	—	ITS16
1-1/4"-12	14.00 (356)	4.00 (102)	0.50 (13)	970 (440)	—	ITS17
	17.50 (445)	4.00 (102)	0.50 (13)	1300 (590)	—	ITS18



Body - Bronze Alloy & Aluminum
Add Suffix "T" for Tin Plating

Add Suffix "A" for Aluminum
Add Suffix "B" for Bronze

ANSI TRANSFORMER BUSHING

Application

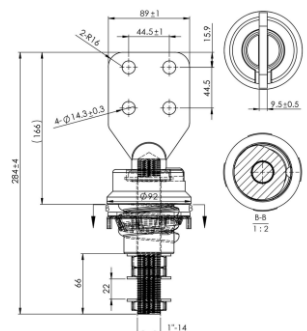
These ANSI standard transformer bushings are used for pole-mounted distribution transformer, with rated voltage from 1 KV to 46KV, and rated current from 125A to 5000A

LV Bushing (Porcelain Type) Eyebolt Type or Spade Type 1.2KV from 125A to 833A



Parts in LV Bushing Assemblies

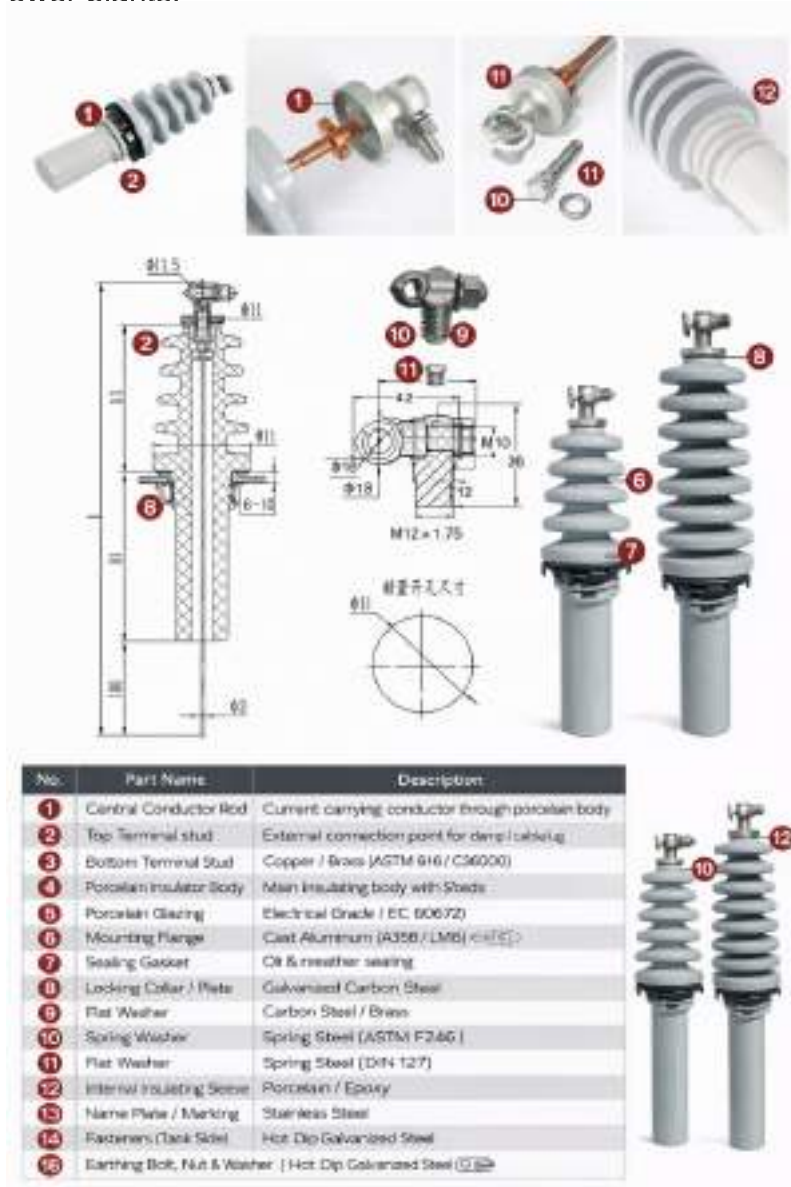
Part	Description	Material
Porcelain Insulator	Main bushing body	Porcelain (glazed)
Copper Stem (LV conductor)	Conductive central rod	Copper
Terminal (Eyebolt)	Cable connection point	Aluminum-bronze
Brass /Bronze Connector	Adapts stud to terminal	Brass/Zinc-plated
Brass Nut(s)	Secures terminal hardware	Brass
Steel Nut(s)	Secures assembly	Stainless steel
Washer(s)	Provides contact & locking	Stainless / Brass
Spring Washer(s)	Provides anti-loosening action	Stainless steel
Plain Gasket	Seals around tank penetration	NBR rubber



ANSI HIGH VOLTAGE TRANSFORMER BUSHING

Application

Porcelain Type High Voltage Bushings are designed to provide safe and reliable electrical insulation and current transfer between energized conductors and grounded transformer tanks or electrical equipment. These bushings are suitable for indoor and outdoor installations and are widely used across power distribution and transmission systems. These will be use Substations, Grid stations and Power plants.



TRI-CLAMP/TRIANGULAR TRANSFORMER BUSHING

Application

These have a triangular mounting flange used to secure the bushing to the transformer tank or box and provide termination points for cables or connectors.

Tri-Clamp Molded Bushing

The tri-clamp molded integral bushings are designed for pad-mounted distribution transformers. The bushings are molded from high performance glass-reinforced resin system and copper studs.



Parameter	Typical Value
Rated Voltage	1.2 kV (low -voltage pad -mounted transformers)
Rated Current	417 A, 600 A, 835 A, 1200 A (varies by model)
60 Hz 1-min Withstand RMS Voltage	~10–11 kV
BIL (Basic Impulse Level)	~30 kV (typical)
Conductor Diameter	5/8", 3/4", 1.0" depending on rating

Testing:

Dielectric withstand test – 60 Hz rms voltage as specified (e.g., 10–11 kV).

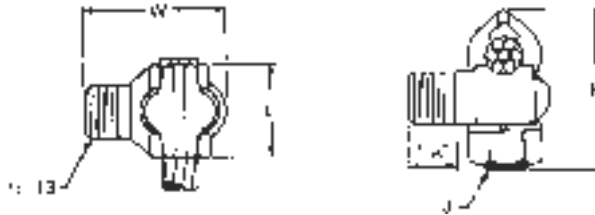
Leakage test – molded bushings leak-tested before shipment.

TANK GROUND CONNECTOR

Transformer Tank Type GTCL: 90°

Application

Bronze alloy ground clamp for tapping copper conductor to transformer tank
Tapered threads at base of stud ensure positive locking and electrical contact without lockwashers



COPPER CABLE RANGE	APPROX. DIMENSIONS INCHES (MM)				APPROX. WT. EACH LBS. (KG)	Per Box	Part No.
	L	H	W	J			
#10 Sol. – #1 Str.	7/8 (22.22)	1-1/2 (38.1)	1-3/8 (34.92)	3/8 (9.52)	.20 (.09)	—	ITCL10
#8 Sol. – 2/0 Str.	1 (25.4)	1-7/8 (47.62)	1-17/32 (38.89)	3/8 (9.52)	.25 (.11)	—	ITCL8



Body - Copper & Bronze Alloy
Bolts - Stainless Steel

Suffix "TP" is tin plated

Ground Clamp Straight Ground Mount (Tank Type GTCS : 90°)



COPPER CABLE RANGE	APPROX. DIMENSIONS INCHES (MM)				APPROX. WT. EACH LBS. (KG)	Per Box	Part No.
	L	H	W	J			
#10 Sol. – #1 Str.	1-1/8 (28.58)	1-5/8 (41.28)	1-7/8 (47.62)	3/8 (9.52)	0.29 (0.13)	—	ITCS10
#8 Sol. – 2/0 Str.	1-1/4 (31.75)	1-7/8 (47.62)	2-1/4 (57.27)	3/8 (9.52)	0.34 (0.15)	—	ITCS8
#6 Sol.—250 MCM	1-5/8 (41.28)	2-3/8 (60.32)	2-1/2 (63.5)	1/2 (12.7)	0.45 (0.20)	—	ITCS6



Body - Copper & Bronze Alloy
Bolts - Stainless Steel

Suffix "TP" is tin plated

TYPE - LAT (Lighting Arrester)

Application

This versatile bronze connector can be mounted to a drilled plate, structure or bar using a 3/8"-16 cap screw. It can also be screwed onto a 3/8"-16 bushing stud and secured in place with the included am nut. The eyebolt can be positioned within the body to allow either vertical or horizontal conductor entrances.

STUD SIZE	CONDUCTOR RANGE O.D.	APPROX. WT. EACH LBS. (KG)	Per Box	Part No.
3/8" - 16	8 Sol. - 2/0 Str. .12" - .42" O.D.	40 (18)	—	ILAT20



Body - Copper Alloy
Bolts - SS - 304

Suffix "TP" is tin plated



TYPE - LAT (Arrester Terminals)

Application

This connector is intended primarily for bottom termination of lightning arresters to ground. May also be employed on top connections

STUD SIZE	CONDUCTOR RANGE O.D.	APPROX. WT. EACH LBS. (KG)	Per Box	Part No.
3/8" - 16	#6 Sol. - 1/0 Str. .162" - .373" (4.1 - 9.5) mm	22 (9.9)	—	IGC207LA



Body - Copper Alloy
Bolts - SS - 304



CUT OUT ASSEMBLY- FUSE HOLDERS

High-voltage standard drop out fuse holders

Application:

A Type C cutout combines a fuse holder and disconnecting device, protecting distribution transformers or lines by interrupting current during faults or overloads.

Fiber Glass fuse tube- with UV resistant coating

Glass-tube high-voltage fuse holder style used in dropout cutouts

Supplying with glass-tube fuse holder with pull ring and contact hardware

Available Fuse holder with contact hardware 15 Kv, 27 Kv



DROP-OUT FUSE HOLDER

Electrical Ratings:

Voltage Class	Rated Current	Rated Frequency	BIL	Interrupting Capacity
15 kV	100 / 200 A	50 / 60 Hz	110–125 kV	Up to 12 kA
27 kV	100 / 200 A	50 / 60 Hz	150 kV	Up to 12.5 kA
38 kV 38 kV Class (33–38 kV)	100 / 200 A	50 / 60 Hz	170 kV	Up to 12 kA

Ambient Temperature Range -40 °C to +40 °C





AN ISO 9001:2015 CERTIFIED COMPANY

www.indianmetalsolutions.com

SCAN FOR



WEBSITE



LINKEDIN

REGISTERED OFFICE

Plot No 3, Jay Hanuman Industrial Area, Paddhri Bypass,
Rajkot Jamnagar Highway, Nr. Nayara Petrol Pump,
Moviya, Rajkot, Gujarat, India -360110
gaurav@indianmetal.solutions

CORPORATE OFFICE

North 804 - Twinstar, 150 Feet Ring Road,
Near Balaji Hall, Rajkot, Gujarat, India. - 360002
+91 96899 49774
dj@indianmetal.solutions