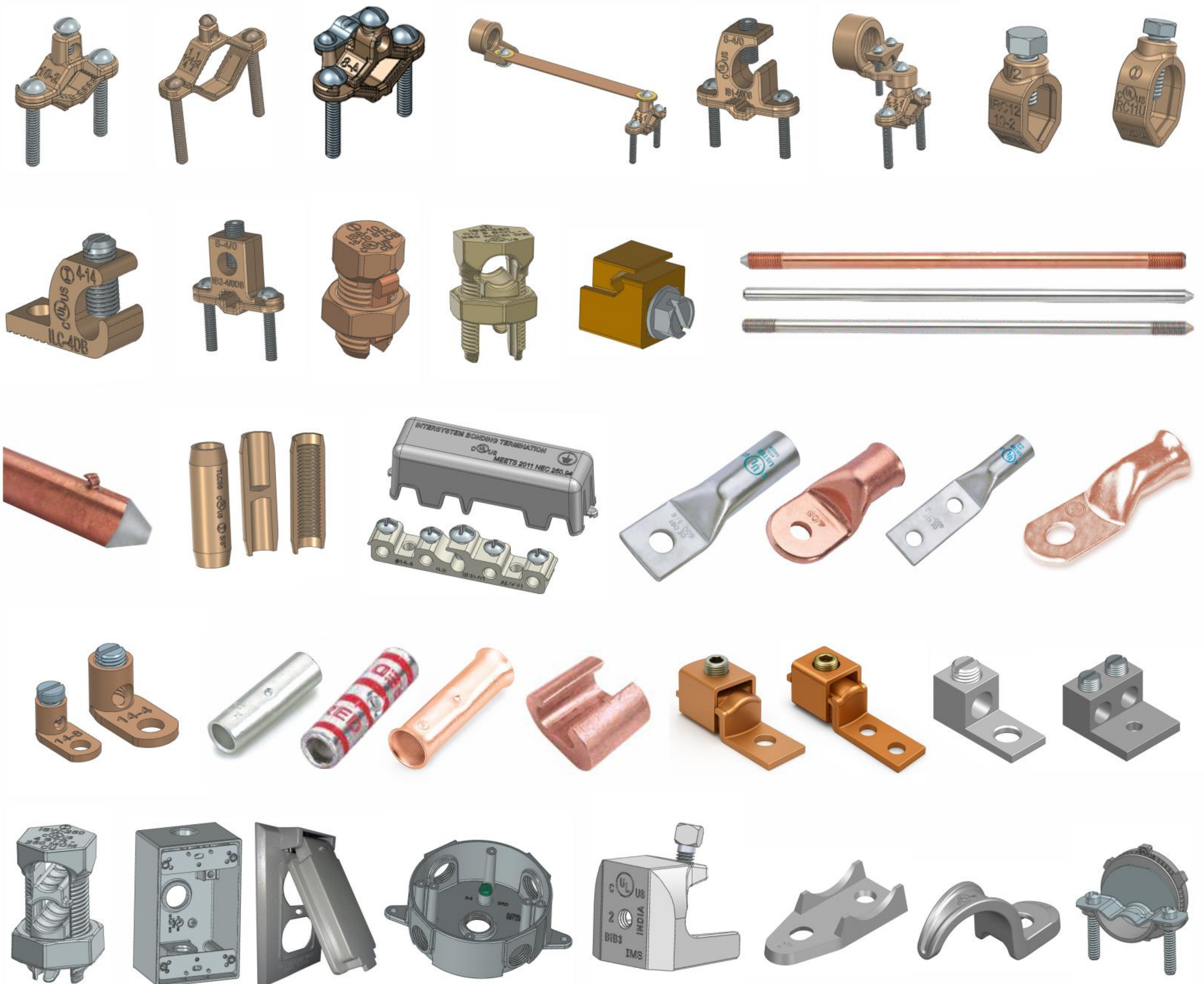


Electrical Products

Manufacturer of Electrical Solutions



Cost Effective & Quality Metal Solutions

INTRODUCTION OF THE COMPANY

Indian Metals Solutions Private Limited (IMS) is a fast-growing manufacturing company based in Gujarat, India, established in 2021. The company specializes in ferrous and non-ferrous metal casting, forging, machining, and assembly components serving a wide range of industries such as electrical, oil & gas, plumbing & railways. With manufacturing facilities in India and a global network, the company caters to Domestic and International markets

The organization focuses on delivering high-quality, cost-effective, and precision-engineered components of Metals and Engineering Polymers supported by modern infrastructure and advanced manufacturing processes.

WHY CHOOSE IMS?

1. End-to-End Solutions

IMS provides complete solutions—from manufacturing and machining to supply chain management and warehousing—ensuring smooth operations for clients.

2. Strong Industry Experience

The company is backed by a leadership team with decades of combined experience in industrial sectors.

3. Commitment to Quality

IMS follows strict quality control systems and is ISO 9001:2015 certified & Type tested certified products ensuring reliable and consistent quality

4. Advanced Manufacturing Capabilities

The company offers multiple products line which can be used in various industries

- Metal castings and Forgings
- Sheet metals Components
- Machined Components
- Engineering Polymer Products
- Tailor made OEM Products

5. Global Reach & Competitive Pricing

With a global supply network and efficient production systems, IMS delivers products at competitive prices while maintaining international quality standards.

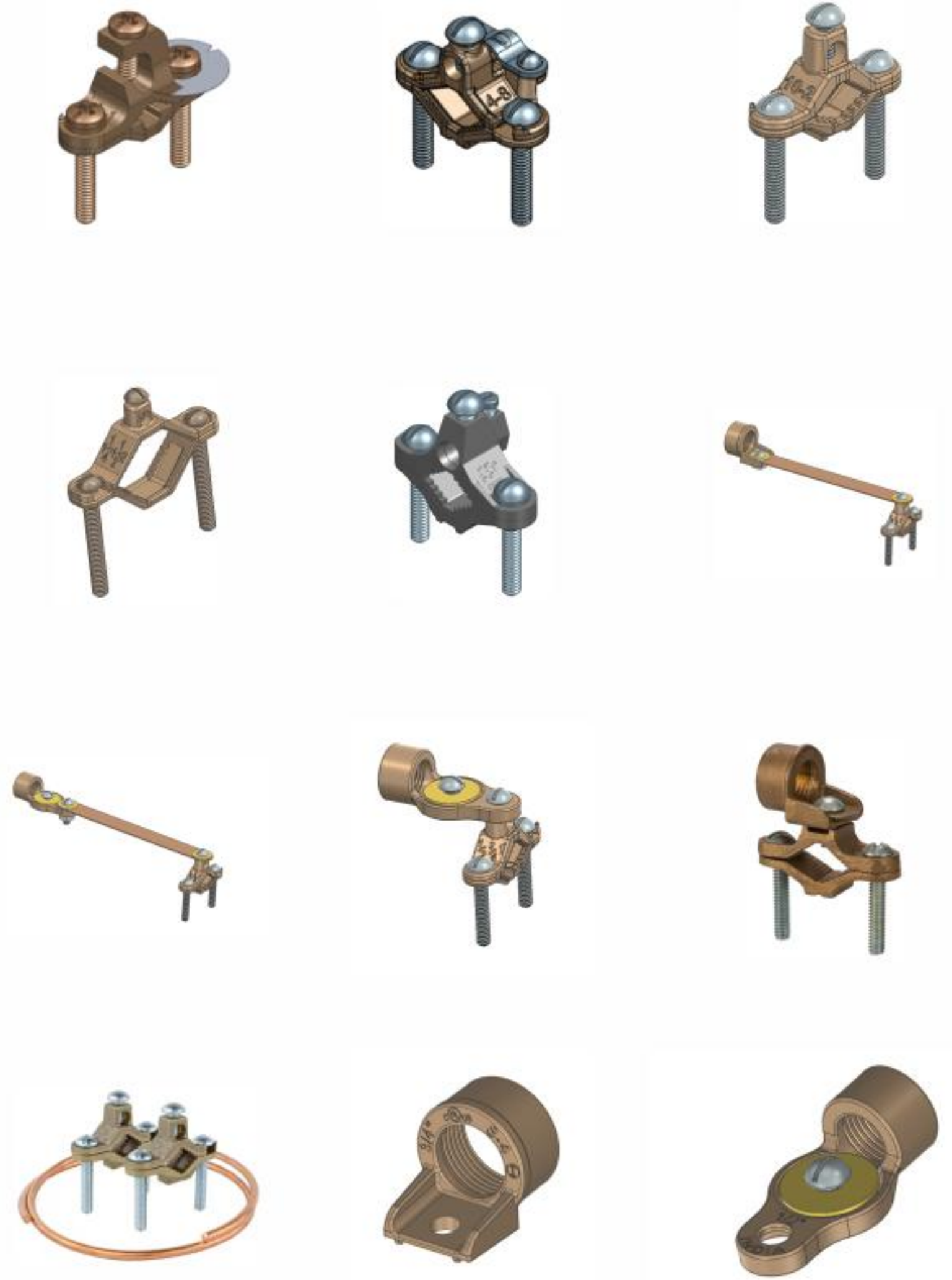
CERTIFICATES



INDEX

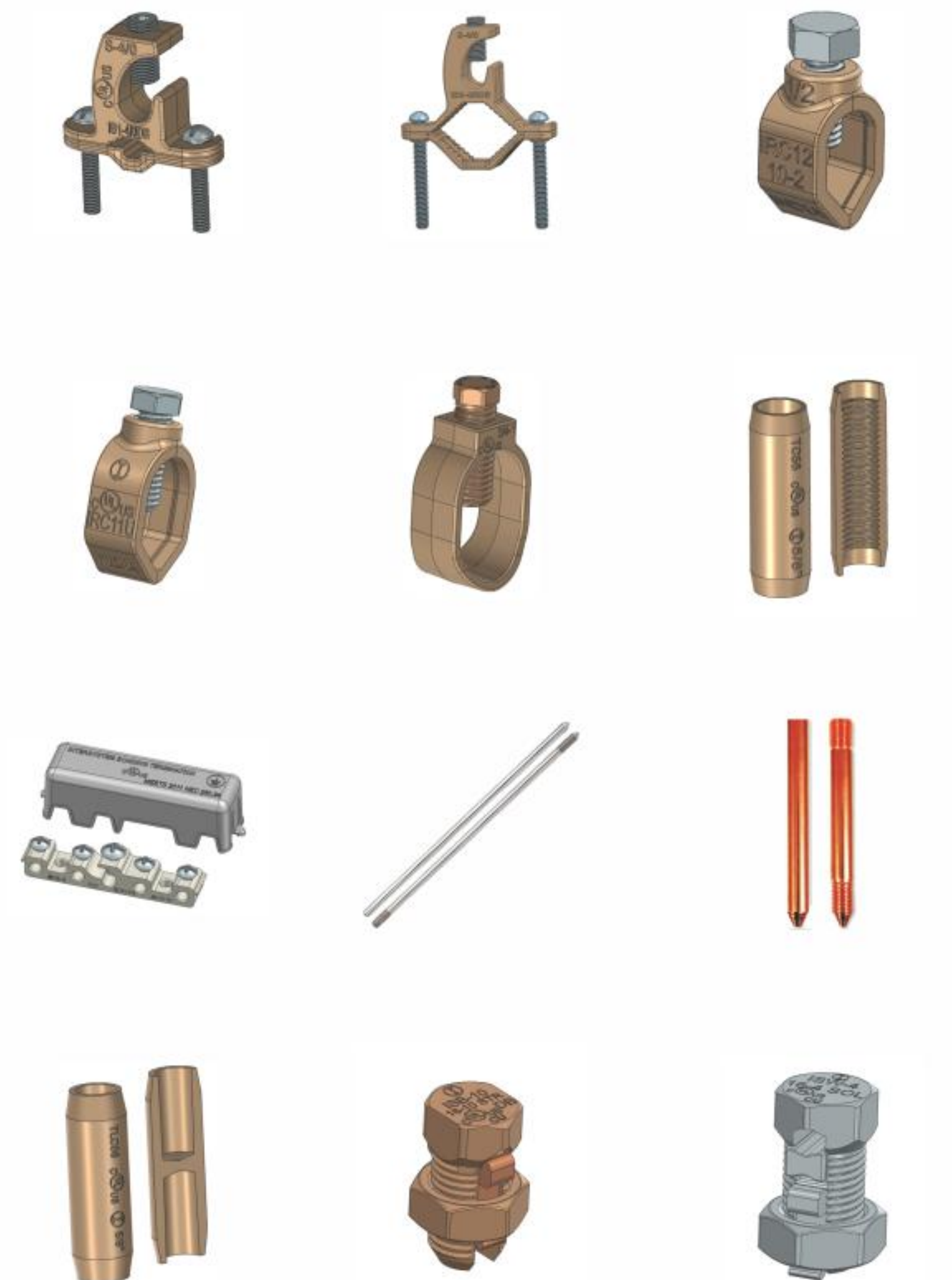
GROUNDING & LIGHTNING PROTECTION SYSTEMS

- 05 | Combination Ground Clamp, Lay In
- 05 | Ground Clamp For Armored Wire
- 06 | Ground Pipe Clamps for Bare Wire
- 07 | Ground Clamp Zinc Die cast
- 07 | Ground Clamp For Armored Wire Zinc Die cast
- 08 | Ground Clamps For Rigid Conduit With Copper Straps
- 08 | Ground Clamps With Standard hub and strap
- 09 | Ground Clamps With Swivel Hub
- 10 | Ground Clamps With Standard Hub
- 10 | Water Heater Bonding Kit
- 11 | Ground Clamps 1/2"-3/4"-1
- 11 | IIs Clamp Assembly (1/2",3/4",1")



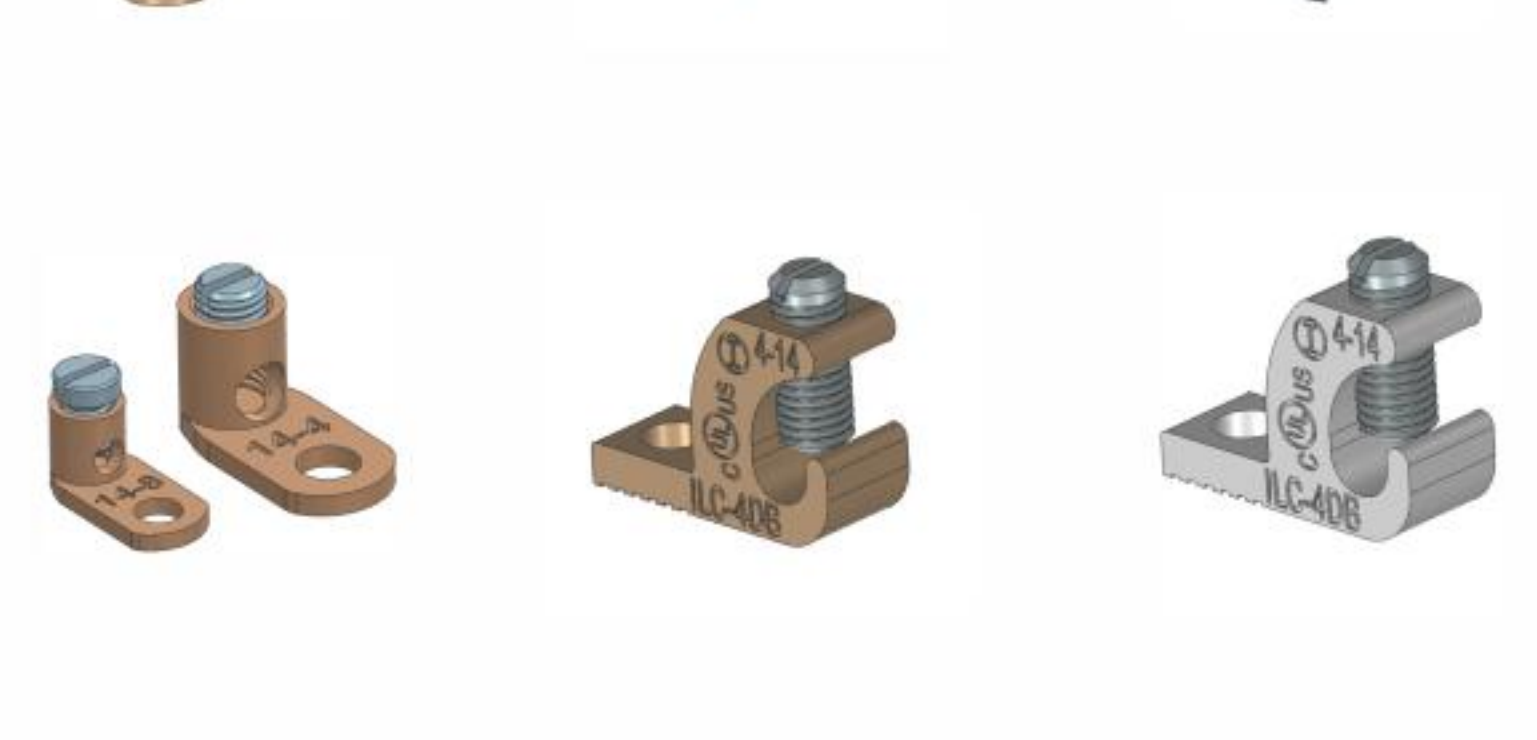
EARTHING & LIGHTNING PROTECTION SYSTEMS

- 12 | Heavy Duty Ground Pipe Clamp For Rebar
- 12 | Heavy Duty Ground Pipe Clamp For 8-4/0 STR Wire
- 13 | Ground Rod Clamps
- 14 | Ground Rod Clamps (Universal)
- 14 | Ground Rod Clamps (Heavy Duty)
- 15 | Inter System Bonding Termination Connector With Cover
- 16 | Ground Rod Couplings
- 16 | Threadless Couplings
- 17 | Stainless Steel Grounding Rods
- 18 | Copper Bonded Grounding Rods
- 19 | Copper Solid Grounding Rods



MECHANICAL CONNECTORS

- 20 | Copper Alloy Split Bolts Connectors
- 21 | Copper Alloy Tin Plated Split Bolts Connectors
- 22 | Single Hole Copper Post Connector
- 22 | Grounding Mechanical Lay - In Lugs



CLAMP TYPE ROMEX CONNECTORS

- 23 | Non-Metallic Sheathed Cable Connector



INDEX

CLAMPS AND HANGERS - RIGID FITTINGS

- 25 | Beam Clamps- Ductile Iron (Zn plated/HDG)
- 26 | Clamp Back - Ductile Iron (Zn Plated/HDG)
- 26 | One Hole Conduit Straps - Ductile Iron (Zn Plated/HDG)



ALUMINUM WEATHERPROOF BOXES

- 27 | Single Gang- Metallic Weatherproof Box
- 29 | Double Gang- Metallic Weatherproof Box
- 30 | Three-Gang Metallic Weatherproof Box
- 30 | Round Metallic Weatherproof Box
- 31 | Single Gang- Metallic Extension Ring
- 31 | Double Gang- Metallic Extension Ring
- 31 | Single Gang- Metallic Extension Ring Flanged With Outlets
- 32 | Round Extension Box 4 hole Threaded Outlets
- 32 | Round & Rectangular Cover (Lamp Holder)
- 33 | Single Gang Device Covers
- 34 | Double Gang Device Covers



MECHANICAL COPPER LUGS

- 35 | Copper, Offset Tang Lug, Single Conductor
- 35 | Copper, Straight Tang Lug, Single Conductor
- 36 | Copper, Offset Tang Lug, Single Conductor
- 36 | Copper, Straight Tang Lug, Single Conductor



MECHANICAL LUGS - ALUMINUM

- 37 | Single Barrel One Hole Mount Dual Rated (AL9CU)
- 38 | Single Barrel Two Stud Hole Mount Dual Rated (AL9CU)
- 38 | Single Barrel Two Screw Two Stud Hole Mount Dual Rated (AL9CU)
- 39 | Two Barrel One Stud Hole Mount Dual Rated (AL9CU)
- 40 | Two Barrel Two Stud Hole Mount Dual Rated (AL9CU)
- 40 | Two Barrel, Four Screw, Two Stud Hole Mount Dual Rated (AL9CU)



CABLE TERMINALS

- 41 | Copper Compression Lugs-short Barrel, One Holes
- 43 | Copper Compression Lugs-short Barrel, Two Holes



INDEX

CABLE TERMINALS

- 44 | Copper Compression Lugs-long Barrel, One Holes
- 45 | Copper Compression Lugs-long Barrel, Two Holes
- 47 | Copper Compression Lugs Single Hole Heavy Duty Series
- 48 | Copper Compression Lugs Single Hole Heavy Duty Series
- 49 | Copper Compression Lugs Single Hole Heavy Duty Standard Barrel Series
- 51 | Copper Compression Lugs Single Hole Heavy Duty Long Barrel Series
- 53 | Copper compression lugs-Long barrel, One holes



BUTT SPLICES CONNECTOR

- 54 | Copper Compression Sleeves, Short Barrel
- 55 | Copper Compression Sleeves, Long Barrel
- 56 | Copper compression Butt Splice Connector
- 57 | Copper Compression Sleeves - Short And Standard Butt Splices
- 58 | Flared Mouth Copper Butt Splice Connector



CONNECTORS

- 59 | 'C' Crimp Connectors - Compression Type



WISE GRIP CONNECTOR

- 60 | Telecom & Ground Connectors



SINGLE BOLT PARALLEL GROOVE CLAMPS

- 61 | Parallel Groove Clamp



U BOLT CONNECTORS

- 62 | U Bolt Rod To Cable Clamp Type - SCE
- 62 | U Bolt Pipe To Cable Clamp Type - PUB
- 63 | U Bolt Rod Clamps Type - E
- 63 | U Bolt Rod To Cable Clamps Type - GUV



GREEN GROUND SCREW AND CLIP

- 64 | Green Ground Screw
- 64 | Green Ground Clip
- 64 | Electrical Ground Code Tag



65 | FASTENERS

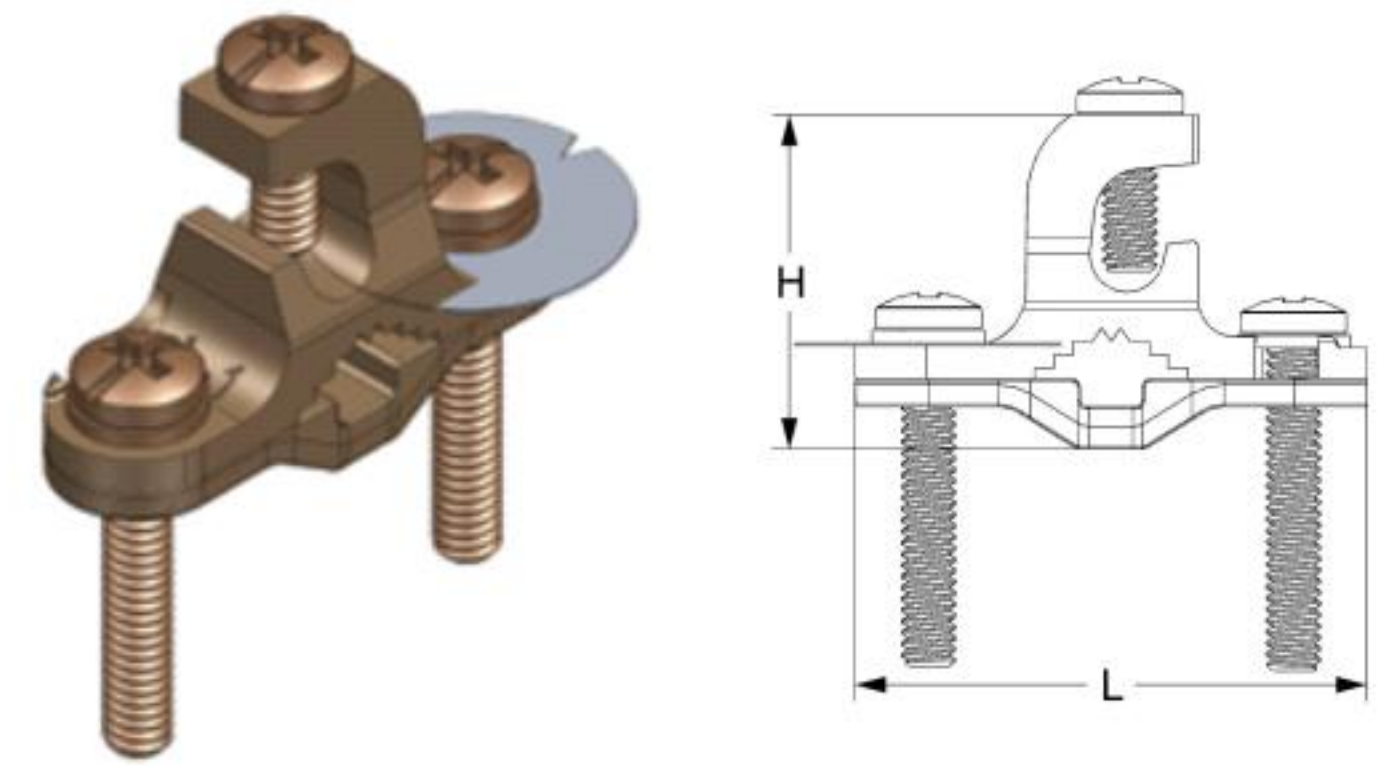
GROUNDING & LIGHTNING PROTECTION SYSTEMS

GROUND CLAMPS

Combination Ground Clamp, Lay In

Application & Features :

- Used to connect grounding copper wire to water pipe, ground rod or rebar.
- Lay-in style lug for fast and easy installation of ground wires.
- Cast from high strength, highly conductive copper alloy.
- Approved for Direct Burial in earth and concrete.
- Available with bronze and Stainless Steel hardware.



PART NUMBER	WIRE RANGE	MAIN			DIMENSIONS (IN.)		
	AWG (CU)	PIPE RANGE	REBAR RANGE	ROD RANGE	L	W	H
IB-7	10-2 STR, 10 SOL	1/2"-1"	1/2"- 3/4" (#4 - #6)	3/8"-1"	2.28	0.66	1.49
IB-7SS*	10-2 STR, 10 SOL	1/2"-1"	1/2"- 3/4" (#4 - #6)	3/8"-1"	2.28	0.66	1.49

* Supplied with stainless steel hardware

Electrical Rating:

- Voltage Rating : 600 V
- Temperature Rating : -

Standards:

UL 467
CSA C22.2 No. 41;22
NEC Article 250

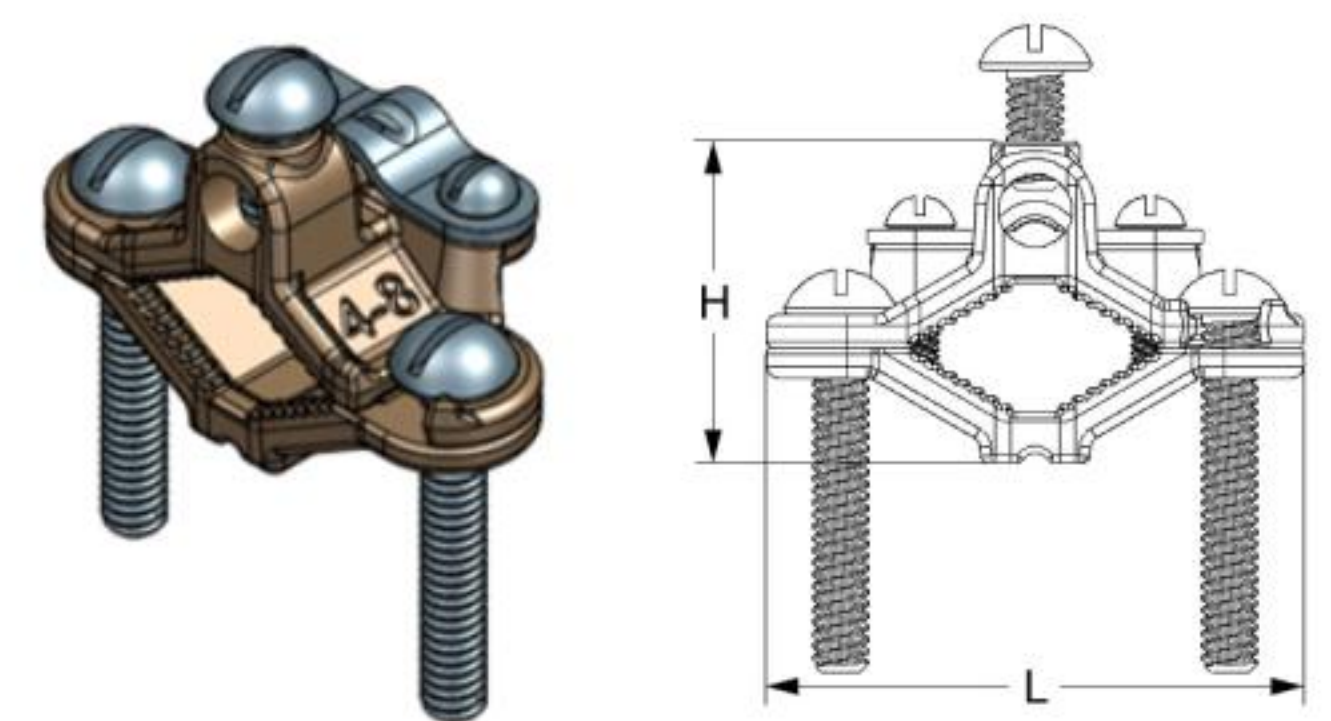
Certifications:



Ground Clamp For Armored Wire

Application & Features :

- Used to connect bare or armored copper wire to steel water pipe.
- Integral clamp securely holds armor.
- Cast from high strength, highly conductive copper alloy.
- Approved for use with copper ground rod and water pipe.
- Supplied with Standard zinc plated steel Screws.



CAT NO.	WIRE RANGE	MAIN		DIMENSIONS (IN.)		
	AWG (CU)	PIPE RANGE	ROD RANGE	L	W	H
I-6	8-4 STR, 8 SOL	1/2"-1"	1/2"-1"	2.25	0.98	1.34
I-6D	8-4 STR, 8 SOL	1/2"-1"	1/2"-1"	2.25	0.98	1.34

*I-6SS and I-6D available for direct burial applications with stainless steel and silicon bronze Hardware.

Electrical Rating:

- Voltage Rating : 600 V
- Temperature Rating : -

Standards:

UL 467
CSA C22.2 No. 41;22
NEC Article 250

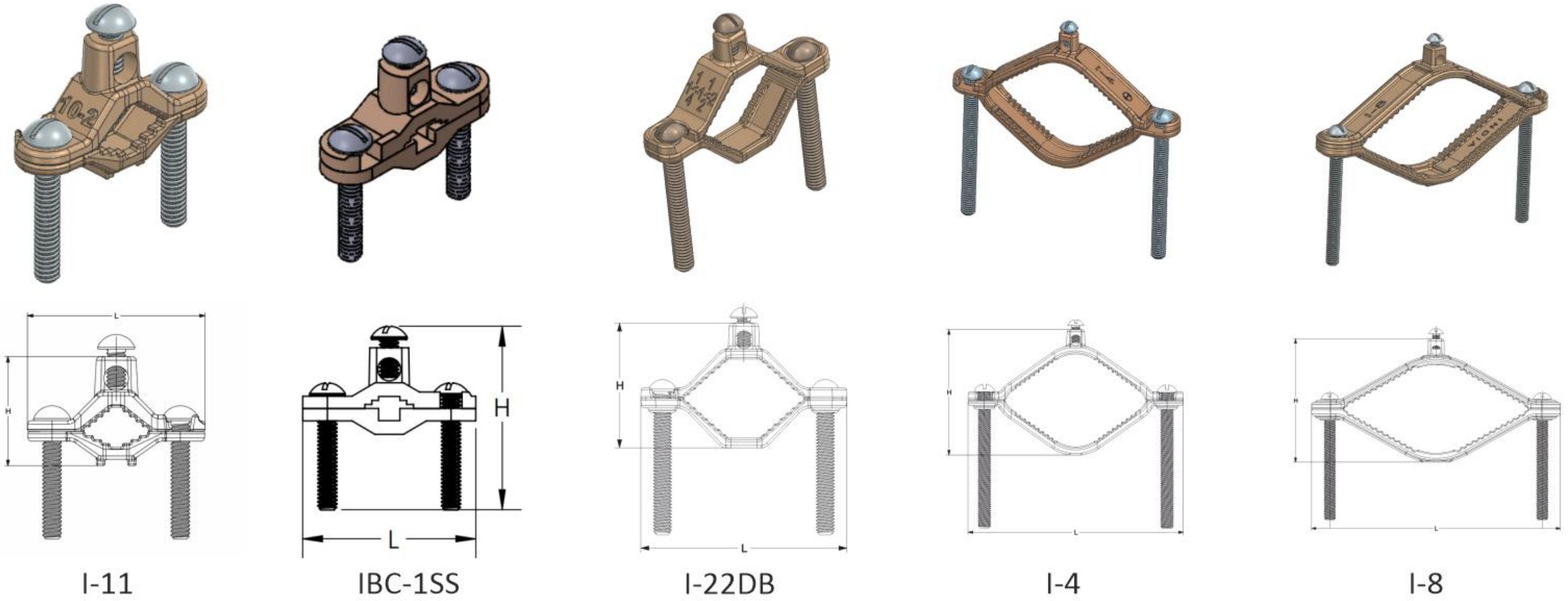
Certifications:



Ground Pipe Clamps for Bare Wire

Application & Features :

- Used to connect bare copper wire to galvanized steel.
- water pipe or copper tubing.
- Cast from high strength, highly conductive copper alloy.
- Select models approved for use with rebar and copper ground rod.
- Suitable for Direct Burial application in earth and concrete : I-11DB, I-11SS, I-22DB & I-22SS.



PART NUMBER	WIRE RANGE		MAIN		SCREW MATERIAL	DIMENSIONS (IN.)		
	AWG (CU)		PIPE RANGE	REBAR RANGE		L	W	H
I-11	10-2 STR	10 SOL	1/2" - 1"	5/8" - 3/4"	Zinc Plated Steel	2.25	0.62	1.66
I-11DB	10-2 STR	10 SOL	1/2" - 1"	5/8" - 3/4"	Silicon bronze	2.25	0.62	1.66
I-11SS	10-2 STR	10 SOL	1/2" - 1"	5/8" - 3/4"	Stainless Steel	2.25	0.62	1.66
I-11B	10-2 STR	10 SOL	1/2" - 1"	5/8" - 3/4"	Brass	2.25	0.62	1.66
IBC-1D*	10-2 STR	10 SOL	1/2" - 1"	3/8" - 1"	Silicon bronze	2.25	0.62	1.66
IBC-1SS*	10-2 STR	10 SOL	1/2" - 1"	3/8" - 1"	Stainless Steel	2.25	0.62	1.66
I-22	10-2 STR	10 SOL	1-1/4" - 2"	-	Zinc Plated Steel	3.56	0.72	2.15
I-22D	10-2 STR	10 SOL	1-1/4" - 2"	-	Silicon bronze	3.56	0.72	2.15
I-22SS	10-2 STR	10 SOL	1-1/4" - 2"	-	Stainless Steel	3.56	0.72	2.15
I-4	10-2 STR	10 SOL	2-1/2" - 4"	-	Zinc Plated Steel	6.31	0.96	3.66
I-4SS*	10-2 STR	10 SOL	2-1/2" - 4"	-	Stainless Steel	6.31	0.96	3.66
I-4D*	10-2 STR	10 SOL	2-1/2" - 4"	-	Silicon bronze	6.31	0.96	3.66
I-8	10-2 STR	10 SOL	4" - 6"	-	Zinc Plated Steel	8.19	1.26	4.06

For Direct Burial : I-11DB, I-11SS, IBC-1D, IBC-1SS, I-22SS, I-22D, I-4SS & I-4D

For Imperial Rebar Range is # 5 to #6

*UL Testing in process

Electrical Rating:

- Voltage Rating : 600 V
- Temperature Rating : -

Standards:

UL 467
CSA C22.2 No. 41;22
NEC Article 250

Certifications:



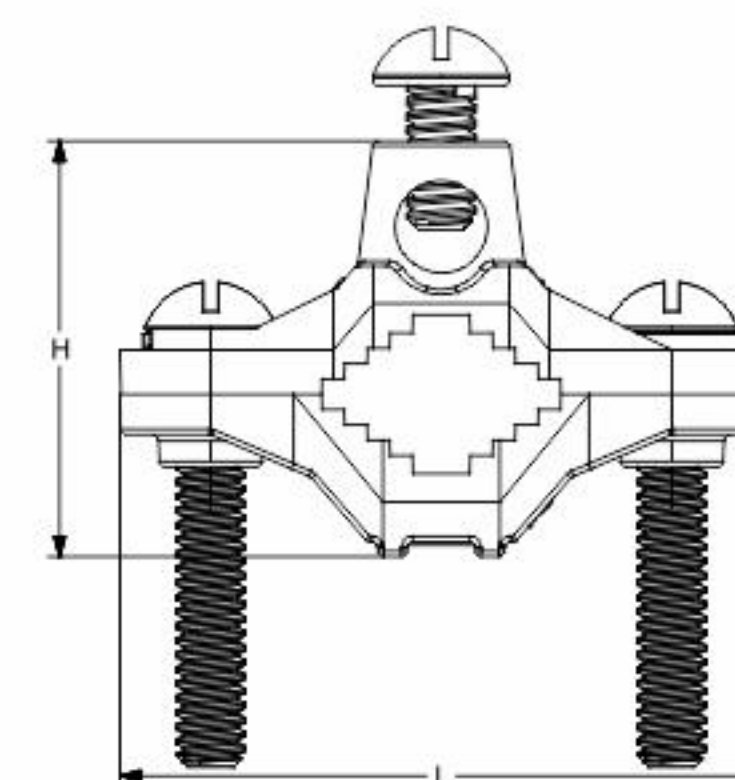
E532634



Ground Clamp Zinc Die cast

Application & Features :

- Used to connect bare copper wire to water pipe.
- Cast from high strength, Zinc alloy.
- Clamp is reversible.
- Provide maximum pressure and ensure secure connection on all combinations of connectors.
- Suitable for AL-CU dual rated conductors.



PART NUMBER	WIRE RANGE		MAIN		DIMENSIONS (IN.)		
	AWG (CU)	AWG (AL)	PIPE RANGE	CONDUIT SIZE	L	W	H
I-11Z	10-2 STR, 10 SOL	8-2 STR	1/2"-1"	1/2"-1"	2.23	0.63	1.44

Electrical Rating:

- Voltage Rating : 600 V
- Temperature Rating : 90° C

Standards:

UL 467
CSA C22.2 No. 41;22
NEC Article 250

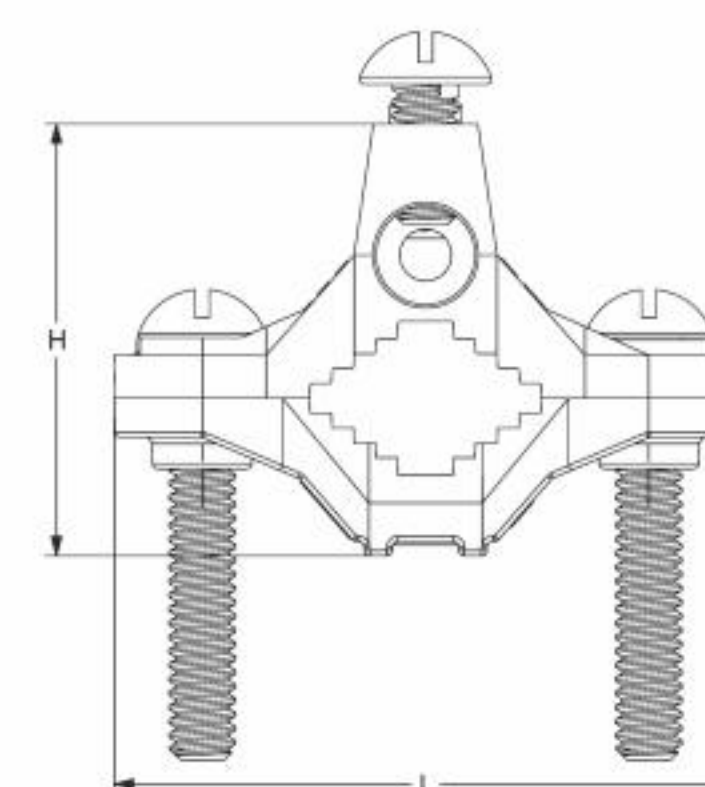
Certifications:



Ground Clamp For Armored Wire Zinc Die cast

Application & Features :

- Used to connect bare or armored copper wire to steel water pipe.
- Standard hardware is zinc plated steel.
- Integral clamp securely holds armor.
- Free running threads easy to grip wrench flats.



PART NUMBER	WIRE RANGE		MAIN		DIMENSIONS (IN.)		
	AWG (CU)	AWG (AL)	PIPE RANGE	CONDUIT SIZE	L	W	H
I-6Z	8-6 STR, 8 SOL	8-6 STR, 8 SOL	1/2"-1"	1/2"-1"	2.23	0.88	1.54

Electrical Rating:

- Voltage Rating : 600 V
- Temperature Rating : 90° C

Standards:

UL 467
CSA C22.2 No. 41;22
NEC Article 250

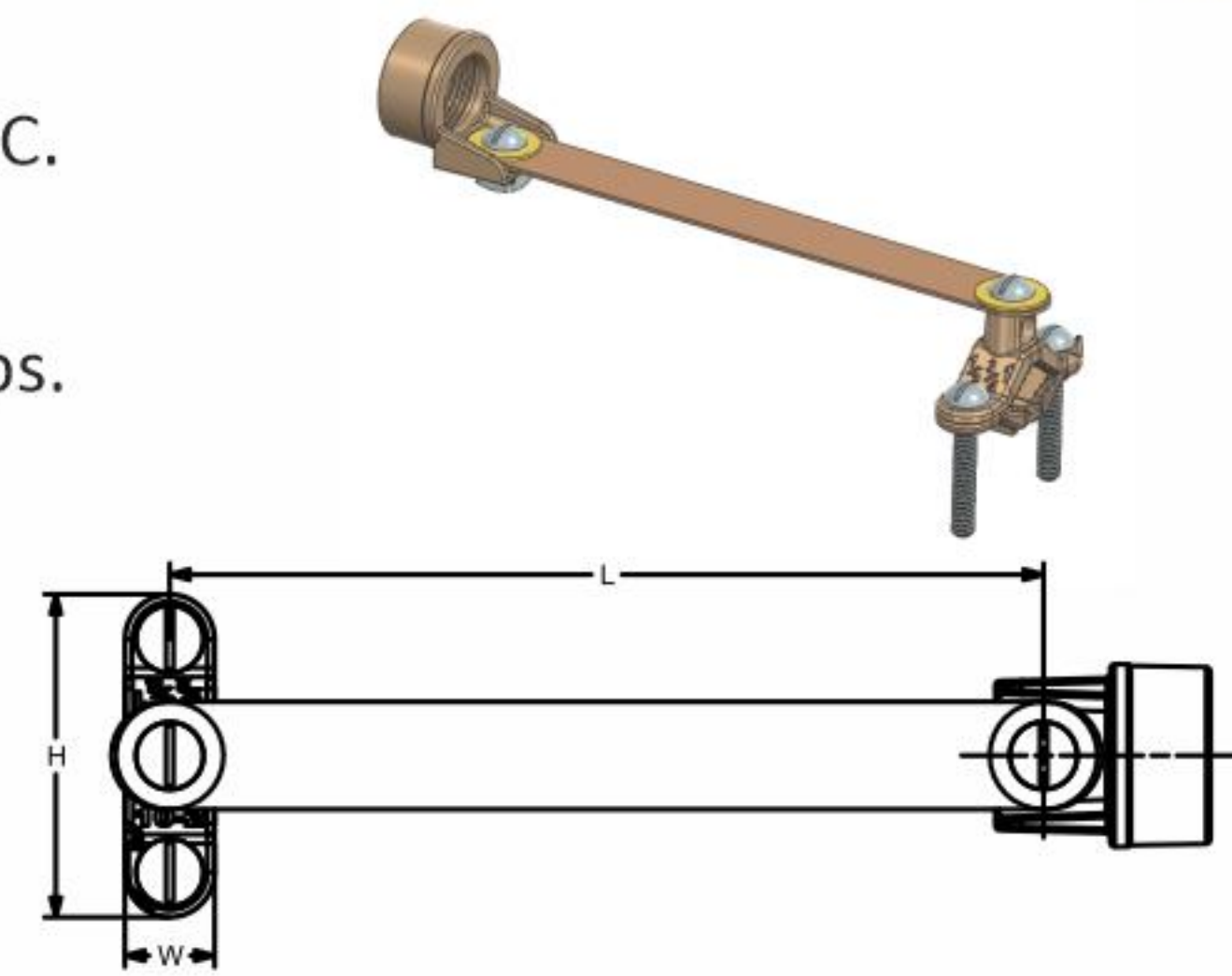
Certifications:



Ground Clamps For Rigid Conduit With Copper Straps

Application & Features :

- Used To Connect Copper Grounding Conductor In Rigid Conduit Or IMC.
- To Steel Or Copper Water PIPE Or Copper Ground Rods.
- Copper strap Allows Flexibility During And After Installation And Helps.
- Protect Conduit From Vibration.
- Supplied with steel zinc plated screw for corrosion resistance.
- Assembled with threaded adapter.



PART NUMBER	MAIN			DIMENSIONS (IN.)		
	PIPE RANGE	WERE RANGE	CONDUIT HUB SIZE	L	W	H
I11CSIH1	1/2" - 1"	(#8 - #4)	1/2"	6.08	0.62	2.25
I11CSIH2	1/2" - 1"	(#8 - #4)	3/4"	6.08	0.62	2.25
I11CSIH3	1/2" - 1"	(#8 - #4)	1"	6.08	0.62	2.25

Electrical Rating:

- Voltage Rating : 600 V
- Temperature Rating : 90° C

Standards:

UL 467
CSA C22.2 No. 41;22
NEC Article 250

Certifications:



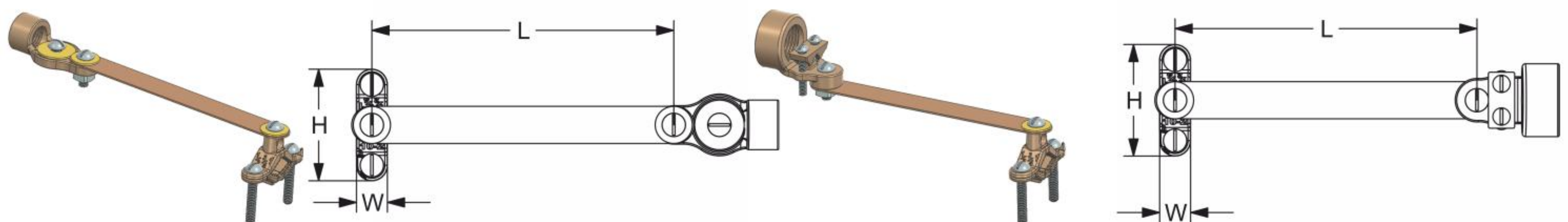
E532634



Ground Clamps With Standard hub and strap

Application & Features :

- Used To Connect Copper Grounding Conductor In Rigid Conduit Or IMC.
- TO Steel Or Copper Water PIPE Or Copper Ground Rods.
- Copper strap Allows Flexibility During And After Installation And Helps.
- Protect Conduit From Vibration.
- Ground Pipe Clamp With Extended Adapter 360 Degree Assembled With Threaded Swivel Adapter.



PART NUMBER	MAIN			DIMENSIONS (IN.)		
	PIPE RANGE	WERE RANGE	CONDUIT HUB SIZE	L	W	H
I11CSILH1	1/2" - 1"	(#10 - #6)	1/2"	6.08	0.62	2.25
I11CSILH2	1/2" - 1"	(#10 - #2/0)	3/4"	6.08	0.62	2.25
I11CSILH3	1/2" - 1"	(#10 - #3/0)	1"	6.08	0.62	2.25

Electrical Rating:

- Voltage Rating : 600 V
- Temperature Rating : 90° C

Standards:

UL 467
CSA C22.2 No. 41;22
NEC Article 250

Certifications:



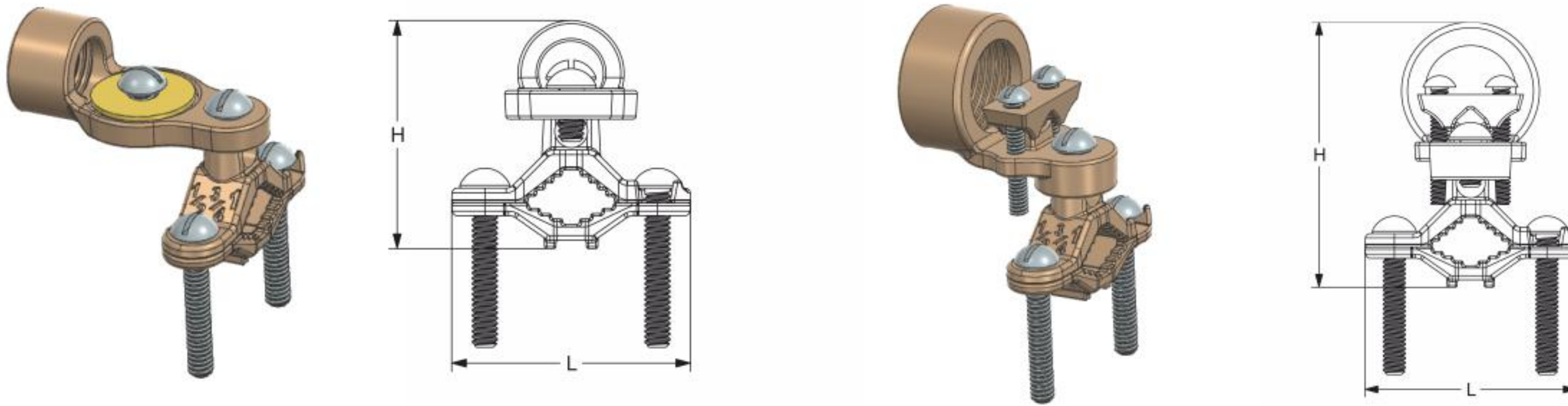
E532634



Ground Clamps With Swivel Hub

Application & Features :

- Used To Connect Copper Grounding Conductor To Rigid Conduit Or IMC To Steel Or Copper Water Pipe.
- Supplied With Zinc Plated Steel Screw For Corrosion Resistance.
- Cast From High Strength, Highly Conductive Copper Alloy.
- Rigid Conduit Or EMT With 360° Swivel Hub.



PART NUMBER	MAIN			DIMENSIONS (IN.)		
	PIPE RANGE	WERE RANGE	CONDUIT SIZE	L	W	H
I11ILH1	1/2" - 1"	(#10 - #6)	1/2"	2.15	2.51	2.25
I11ILH2	1/2" - 1"	#10 - #2/0	3/4"	2.15	2.09	2.82
I11ILH3	1/2" - 1"	#10 - #3/0	1"	2.15	2.09	2.82
I22ILH1	1-1/4" - 2"	#10 - #6	1/2"	3.55	2.51	2.92
I22ILH2	1-1/4" - 2"	#10 - #2/0	3/4"	3.55	2.51	3.60
I22ILH3	1-1/4" - 2"	#10 - #3/0	1"	3.55	2.51	3.60

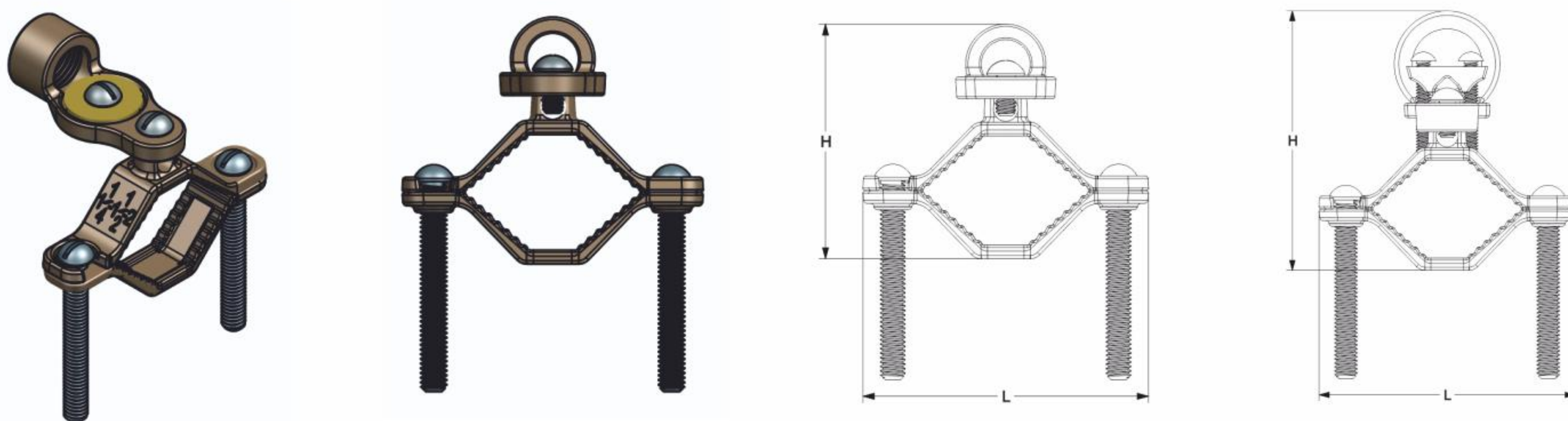
Electrical Rating:

- Voltage Rating : 600 V
- Temperature Rating : 90° C

Standards:

UL 467
 CSA C22.2 No. 41;22
 NEC Article 250

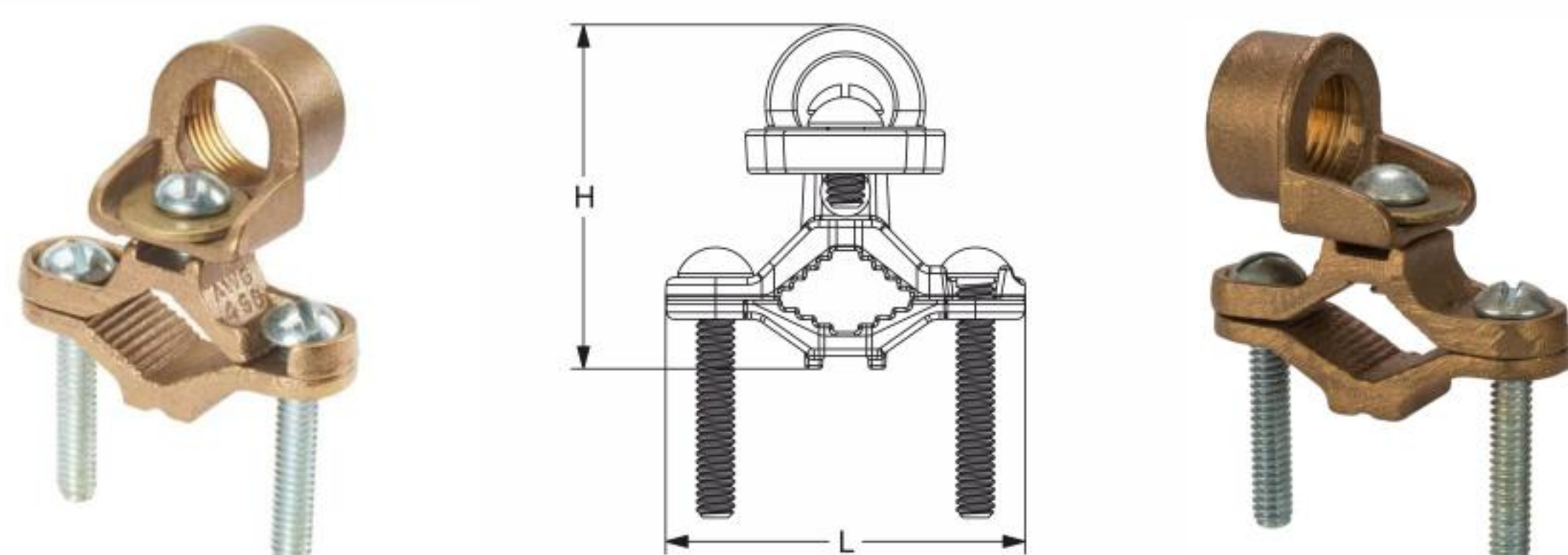
Certifications:



Ground Clamps With Standard Hub

Application & Features :

- Used To Connect Copper Grounding Conductor To Rigid Conduit Or IMC To Steel Or Copper Water Pipe.
- Supplied With Zinc Plated Steel Screw For Corrosion Resistance.
- Cast From High Strength, Highly Conductive Copper Alloy.
- Rigid Conduit Or EMT With Standard Hub.



PART NUMBER	MAIN			DIMENSIONS (IN.)		
	PIPE RANGE	WERE RANGE	CONDUIT SIZE	L	W	H
I11IH1	1/2" - 1"	8- 2 SOL	1/2"	2.15	2.51	3.41
I11IH2	1/2" - 1"	8- 2 SOL	3/4"	2.15	2.09	3.72
I11IH3	1/2" - 1"	8- 2 SOL	1"	2.15	2.09	3.88
I22IH1	1-1/4" - 2"	8- 2 SOL	1/2"	3.55	2.51	3.47
I22IH2	1-1/4" - 2"	8- 2 SOL	3/4"	3.55	2.51	3.60
I22IH3	1-1/4" - 2"	8- 2 SOL	1"	3.55	2.51	3.60

Water Heater Bonding Kit

Application & Features :

- Used to bond a water heater and its associated metal plumbing to the electrical grounding system of a building. The primary purpose of a water heater bonding kit is to ensure that all metal components within the water piping system are at the same electrical potential
- This bonding helps prevent the buildup of potentially dangerous voltage gradients that could occur in the event of electrical faults.
- Includes (2) bronze clamps and (1) 24 in. 6 AWG Copper Conductor



PART NUMBER	MAIN		DIMENSIONS (IN.)		
	PIPE RANGE	WERE RANGE	L	W	H
I11-PK2	1/2" - 1"	10 SOL/STR- 2 STR	2.15	0.62	1.66

Electrical Rating:

- Voltage Rating : 600 V
- Temperature Rating : -

Standards:

UL 467
CSA C22.2 No. 41;22
NEC Article 250

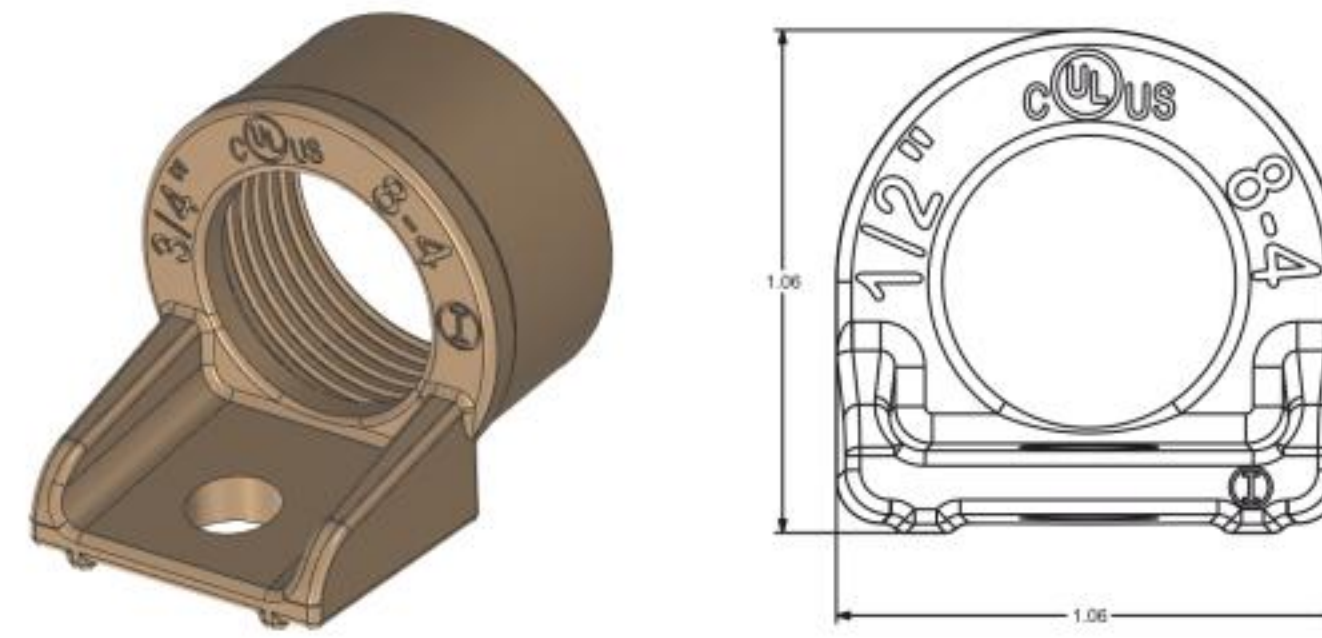
Certifications:



Ground Clamps 1/2"-3/4"-1

Application:

- Used With Grounding Pipe Clamp To Connect Rigid Conduit To Water Pipe For Grounding.
- Cast From High Strength, Highly Conductive Copper Alloy.



PART NUMBER	WERE RANGE	MAIN			DIMENSIONS (IN.)		
	AWG (CU-AL)	PIPE RANGE	REBAR RANGE	CONDUIT SIZE	L	W	H
IH1	8- 2 SOL	1/2"	(#8 - #4)	1/2"- 14 NPSM	1.06	1.25	1.06
IH2	8- 2 SOL	3/4"	(#8 - #4)	3/4" - 14 NPSM	1.08	1.50	1.32
IH3	8- 2 SOL	1"	(#8 - #4)	1"-11 1/2 NPSM	1.08	1.50	1.32

Electrical Rating:

- Voltage Rating : 600 V
- Temperature Rating : -

Standards:

- UL 467
- CSA C22.2 No. 41;22
- NEC Article 250

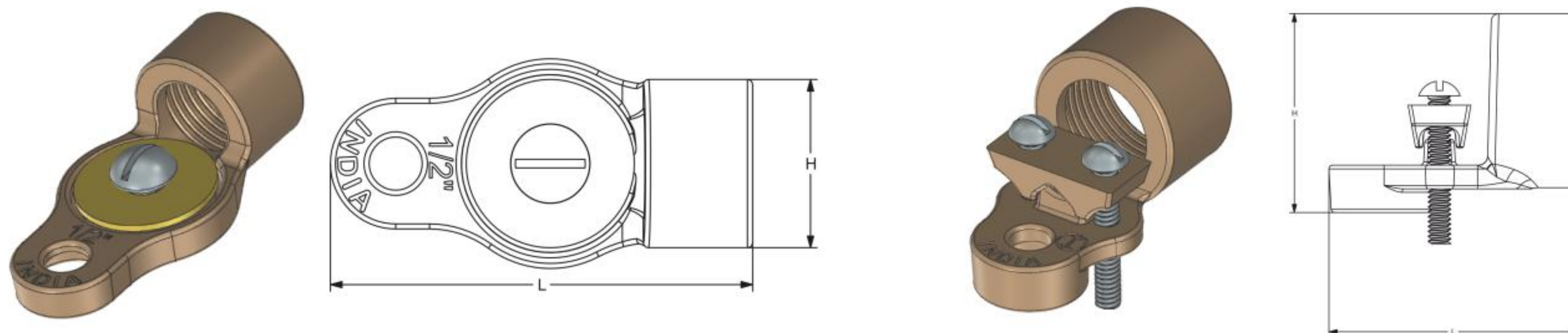
Certifications:



Its Clamp Assembly (1/2",3/4",1")

Application:

- Used With Grounding Pipe Clamp To Connect Rigid Conduit To Water Pipe For Grounding.
- Cast From High Strength, Highly Conductive Copper Alloy.



PART NUMBER	WERE RANGE	MAIN			DIMENSIONS (IN.)		
	AWG (CU-AL)	PIPE RANGE	REBAR RANGE	CONDUIT SIZE	L	W	H
ILH1	10 SOL - 6 SOL	1/2"	(#10 - #6)	1/2"- 14 NPSM	2.51	1	1
ILH2	10 SOL - 2/0 STR	3/4"	(#10 - #2/0)	3/4" - 14 NPSM	2.14	1.25	1.48
ILH3	10 SOL - 3/0 STR	1"	(#10 - #3/0)	1"-11 1/2 NPSM	2.09	1.47	1.68

Electrical Rating:

- Voltage Rating : 600 V
- Temperature Rating : -

Standards:

- UL 467
- CSA C22.2 No. 41;22
- NEC Article 250

Certifications:

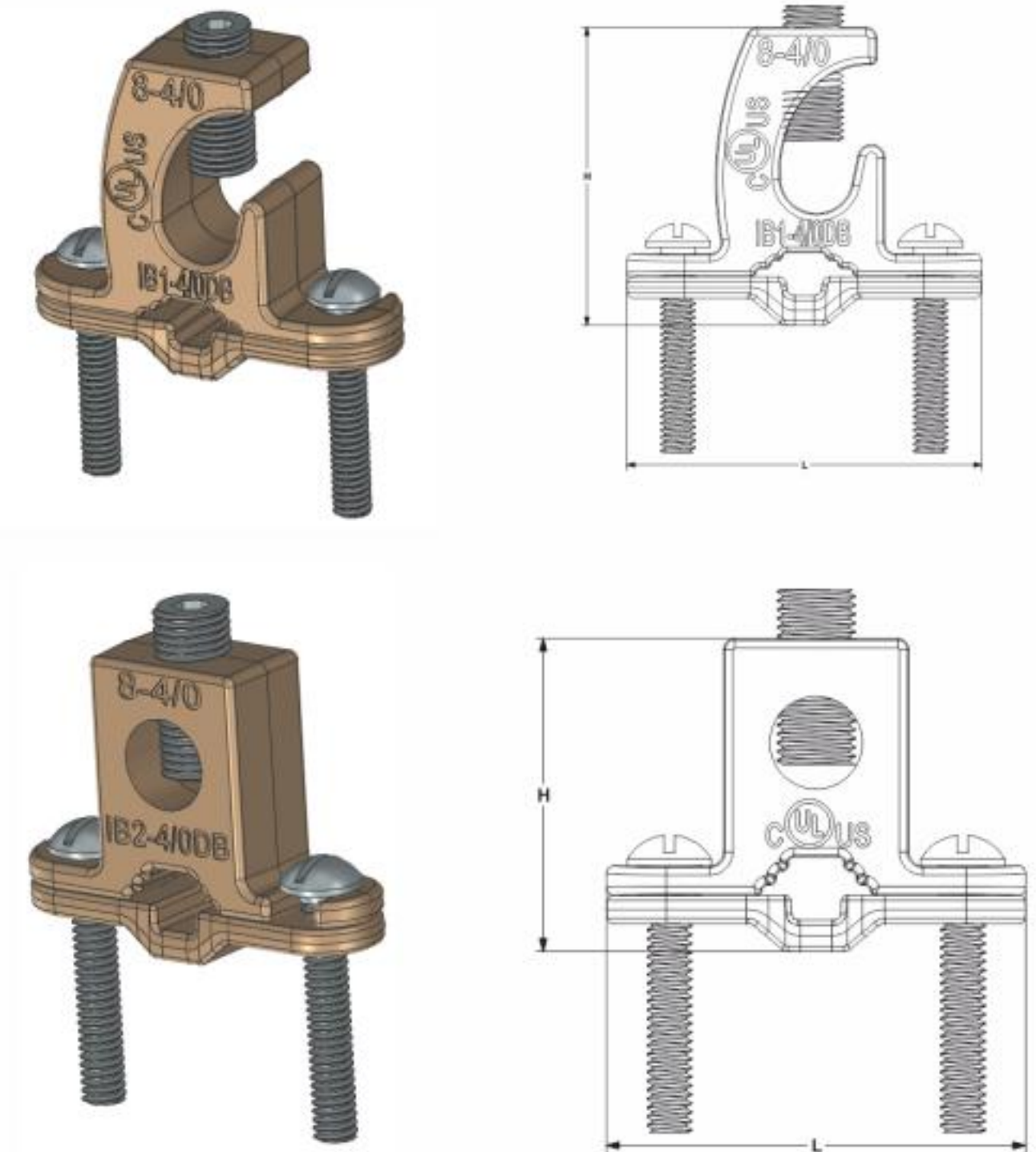


EARTHING & LIGHTNING PROTECTION SYSTEMS

Heavy Duty Ground Pipe Clamp For Rebar

Application & Features :

- Grounding And Bonding Products Provide Flexible Solutions For a Wide Range Of Grounding And Bonding Applications In The Field.
- Uses Include Attaching Grounding Conductors To Copper Water Pipe, Rebar,Copper Tubing And Ground Rods.To Galvanized Steel Water Pipe Or Rebar.



PART NUMBER	WERE RANGE	MAIN			DIMENSIONS (IN.)		
	AWG (CU)	PIPE RANGE	REBAR RANGE	GROUND ROD RANGE	L	W	H
IB1-4/DB	8-4/0 STR & 8SOL	1/2"-1"	3/8"-1"	1/2"- 1"	2.60	0.84	2.18
IB2-4/DB	8-4/0 STR & 8SOL	1/2"-1"	3/8"-1"	1/2"- 1"	2.36	0.67	1.76

Electrical Rating:

- Voltage Rating : 600 V
- Temperature Rating : -

Standards :

UL 467
CSA C22.2 No. 41;22
NEC Article 250

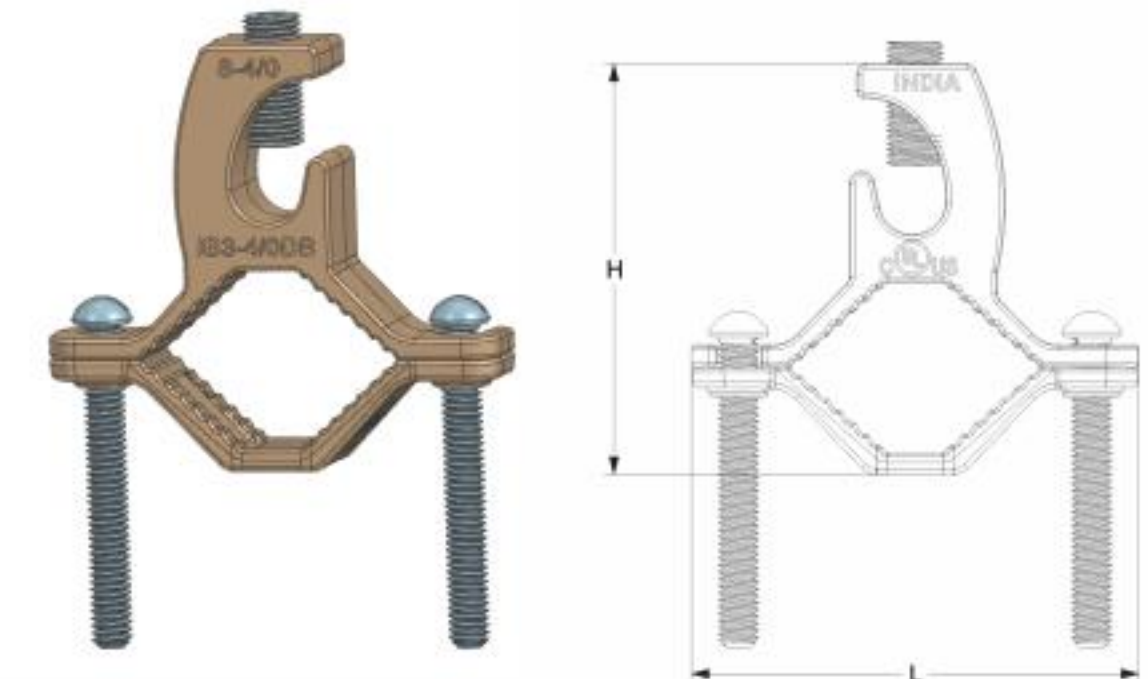
Certifications :



Heavy Duty Ground Pipe Clamp For 8-4/0 STR Wire

Application & Features :

- Grounding And Bonding Products Provide Flexible Solutions For A Wide Range Of Grounding And Bonding Applications In The Field.
- Use To Ground Conductor To Copper Water Pipe.
- Provides Maximum Conductivity And Strenth.
- Ul Listed For Direct Burial Applications.



PART NUMBER	WERE RANGE	MAIN		DIMENSIONS (IN.)		
	AWG (CU)	PIPE RANGE	REBAR RANGE	L	W	H
IB3-4/DB	8-4/0 STR & 8SOL	1-1/4"-2"	-	3.56	0.84	3.27

Electrical Rating:

- Voltage Rating : 600 V
- Temperature Rating : -

Standards :

UL 467
CSA C22.2 No. 41;22
NEC Article 250

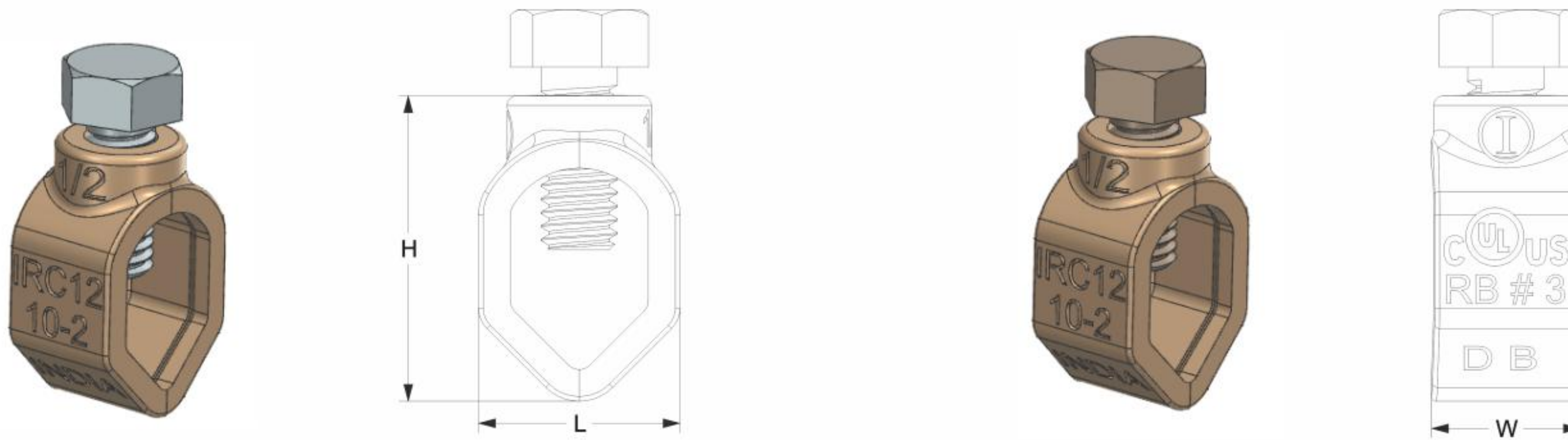
Certifications :



Ground Rod Clamps

Application & Features :

- Used to connect bare copper wire to copper ground rod or rebar.
- Cast from high strength, highly conductive copper alloy.
- All listed models approved for Direct Burial in earth and concrete
Securely Connects a Grounding Conductor.
- Applicable For Steel & Galvanized Rod.



PART NUMBER	WIRE RANGE		RANGE		SCREW MATERIAL	DIMENSIONS (IN.)		
	AWG (CU)	AWG (AL)	GROUND ROD	STEEL REBAR		L	W	H
IRC12	10-2 STR	10 SOL	1/2"	3/8"	Stainless Steel	0.82	0.61	1.26
IRC12D	10-2 STR	10 SOL	1/2"	3/8"	Silicon bronze	0.82	0.61	1.26
IRC58	10-2 STR	10 SOL	1/2" - 5/8"	3/8" - 1/2"	Stainless Steel	0.94	0.61	1.34
IRC58D	10-2 STR	10 SOL	1/2" - 5/8"	3/8" - 1/2"	Silicon bronze	0.94	0.61	1.34
IRC58S	10-1/0 STR	10 SOL	1/2" - 5/8"	1/2"	Stainless Steel	0.94	0.61	1.44
IRC34	10-2 STR	10 SOL	1/2" - 3/4"	3/8" - 1/2"	Stainless Steel	1.06	0.63	1.61
IRC34D	10-2 STR	10 SOL	1/2" - 3/4"	3/8" - 1/2"	Silicon bronze	1.06	0.63	1.61

All Sizes listed For Direct Burial applications

For Imperial Rebar Range: IRC12 & IRC12D # 3, IRC58 to IRC34 & IRC34D #3 - #4 & IRC58S - #4

Electrical Rating:

- Voltage Rating : 600 V
- Temperature Rating : -

Standards :

UL 467
CSA C22.2 No. 41;22
NEC Article 250

Certifications :



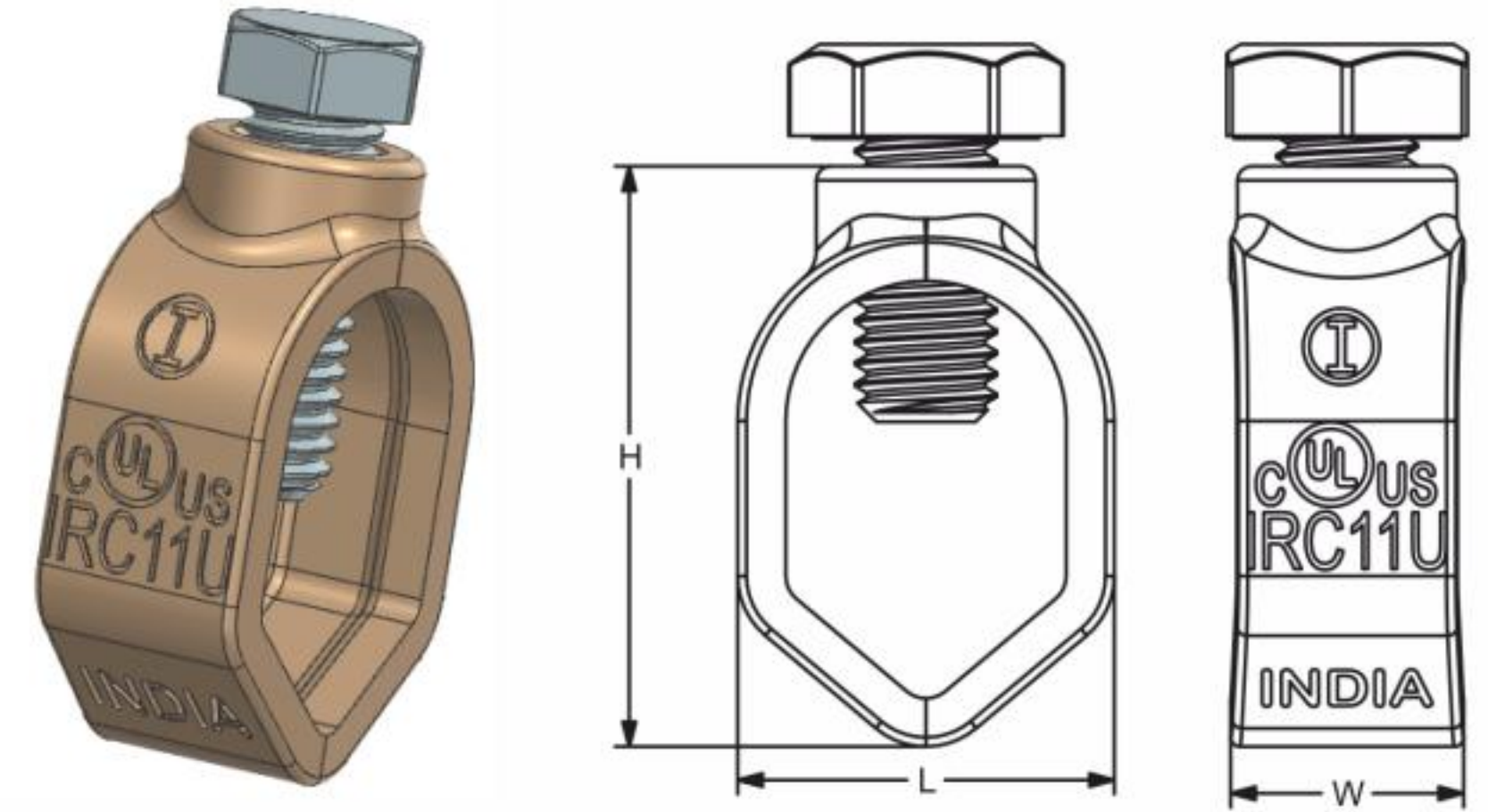
E532634



Ground Rod Clamps (Universal)

Application & Features :

- Used to connect bare copper wire to copper ground rod or rebar.
- Cast from high strength, highly conductive copper alloy.
- Listed models approved for Direct Burial in earth and concrete.
- Applicable For Steel & Galvanized Rod.
- Securely Connects A Grounding Conductor.
- Suppling With Stainless Steel screw.



PART NUMBER	WIRE RANGE		RANGE		DIMENSIONS (IN.)		
	AWG (CU)	AWG	GROUND ROD	STEEL REBAR	L	W	H
IRC11U	10STR-1/0STR	10 SOL	1/2"-3/4"	1/2"-5/8" (#4-#5)	1.05	0.65	1.61

Listed For Direct Burial applications

Standards :

UL 467
CSA C22.2 No. 41;22
NEC Article 250

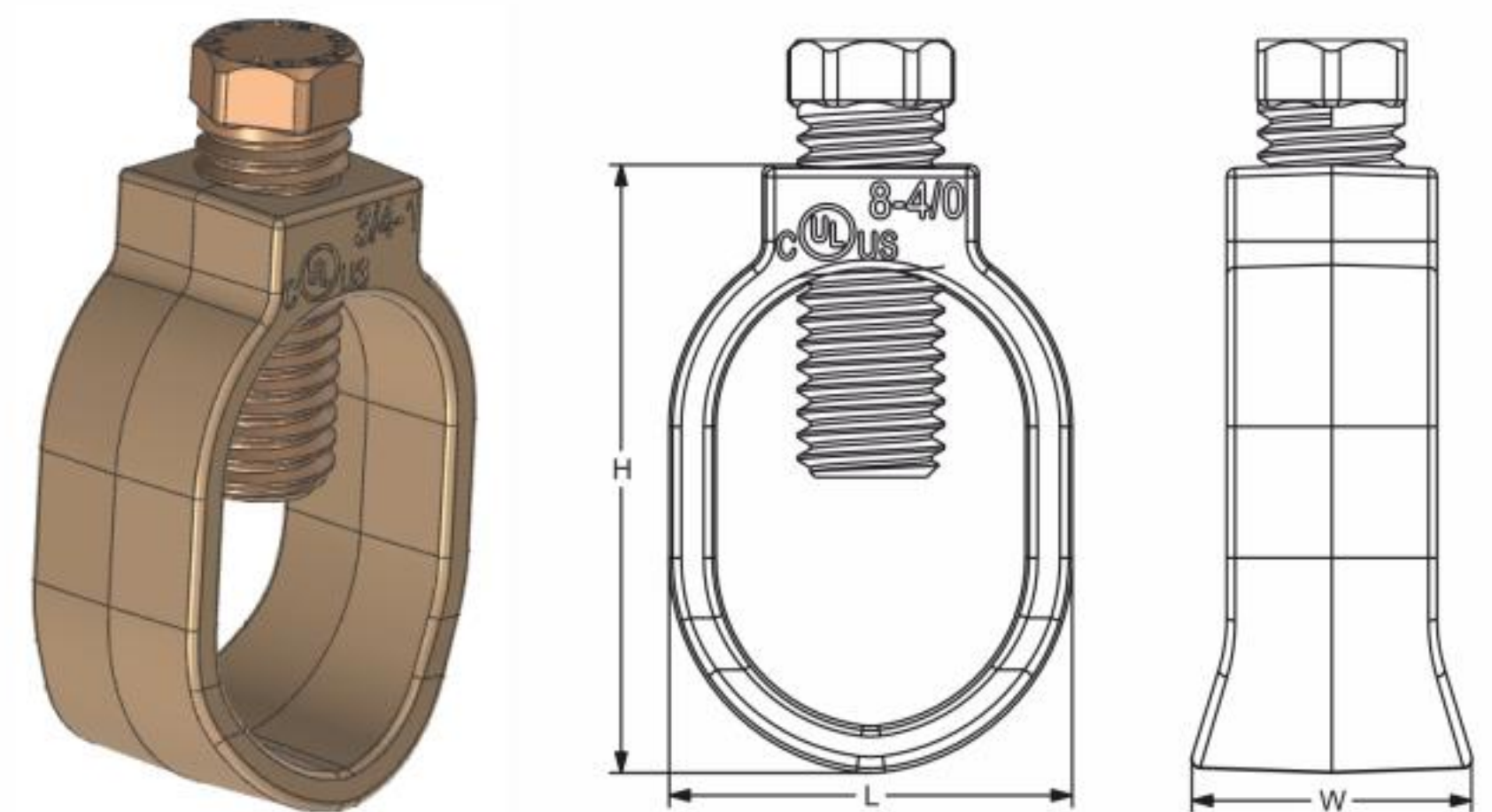
Certifications :



Ground Rod Clamps (Heavy Duty)

Application & Features :

- Used to connect bare copper wire to copper ground rod or rebar.
- Cast from high strength, highly conductive copper alloy.
- All listed models approved for Direct Burial in earth and concrete.
- Applicable For Steel & Galvanized Rod.
- Securely Connects A Grounding Conductor.
- Suppling With Stainless Steel screw.



PART NUMBER	WIRE RANGE		RANGE		DIMENSIONS (IN.)		
	AWG (CU)	AWG	GROUND ROD	STEEL REBAR	L	W	H
IRC1D	4/0 STR	8 SOL	1"	1" (#8)	1.36	0.89	2.05

Listed For Direct Burial applications

Standards :

UL 467
CSA C22.2 No. 41;22
NEC Article 250

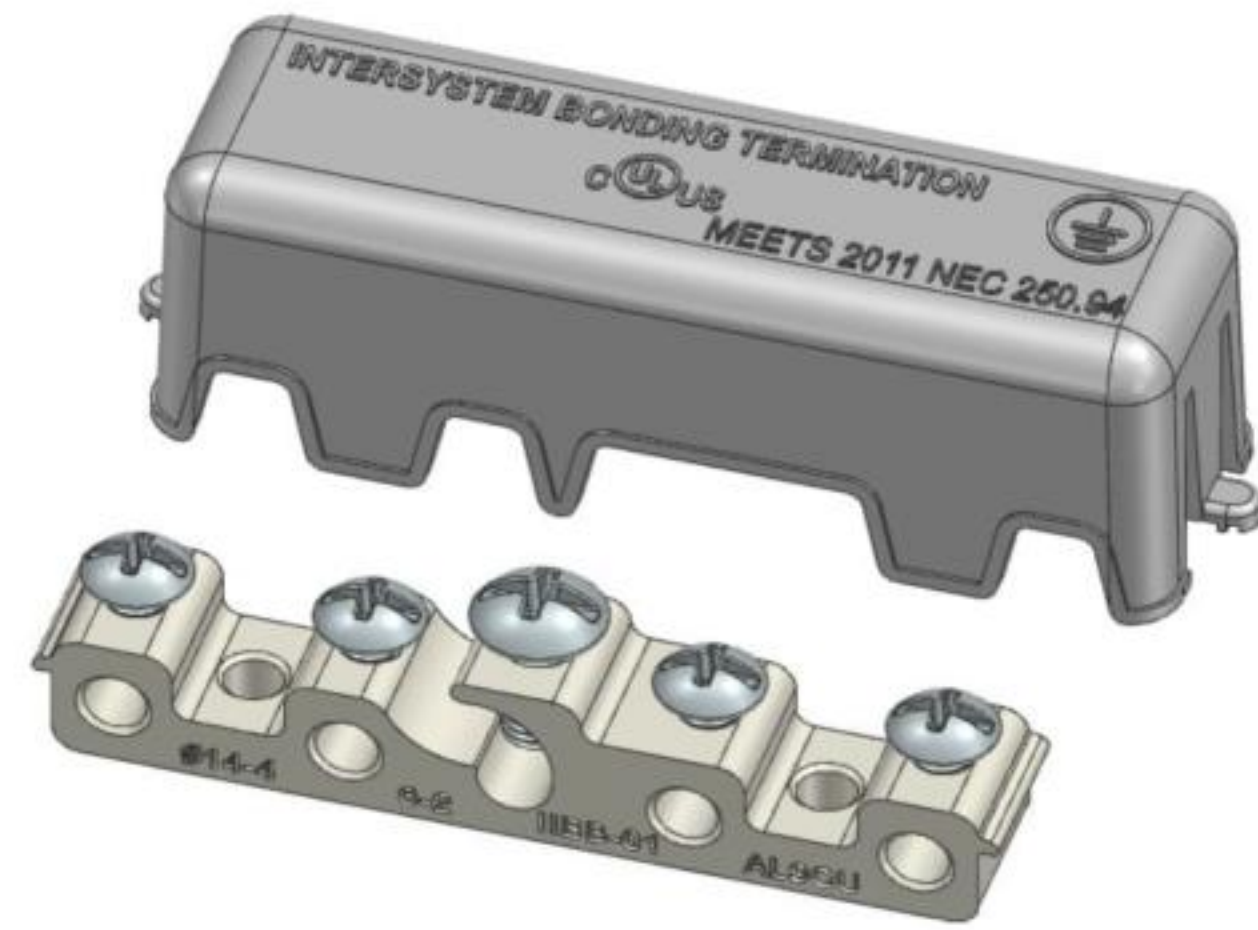
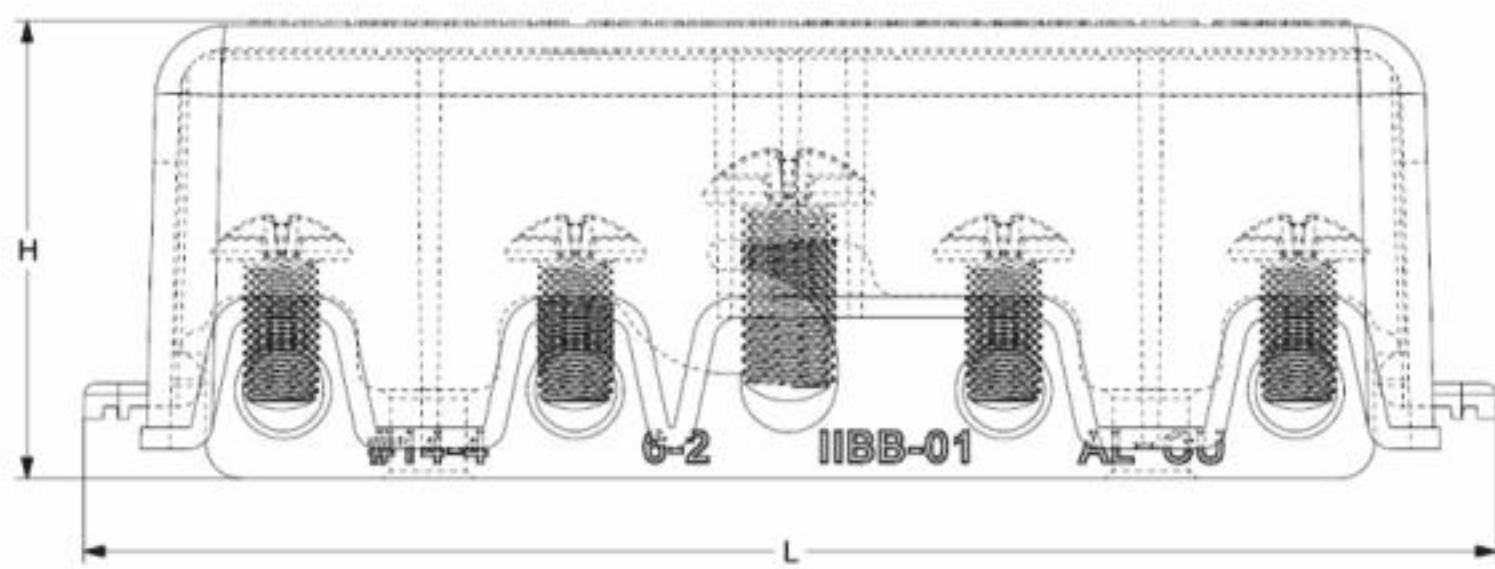
Certifications :



Inter System Bonding Termination Connector With Cover

Application & Features :

- Suitable to handle triple hookups of communication system for instance telephone, cctv or satellite dish.
- For indoor or outdoor use.
- Suitable for AL and CU conductors.
- Lay in Style for easy installation.
- Assembled with UL 94 rated PC cover.
- Tin plated -Aluminum 6061-T6 Alloy.



PART NUMBER	WIRE RANGE (CU)		WIRE RANGE (AL)		DIMENSIONS (IN.)		
	AWG	AWG	AWG	AWG	L	W	H
IIBB	14-2 STR	14-8 SOL	12-2 STR	12-10 SOL	4.66	1.38	1.51

COPPER WIRE	TIGHTENING TORQUE (LBF-IN)	ALUMINUM WIRE	TIGHTENING TORQUE (LBF-IN)
14 SOL/STR	15	-	-
10 SOL/STR	20	12-10 SOL/STR	20
8 SOL/STR	25	8 STR	25
6 STR	45	6 STR	45
4 STR	45	4 STR	45
2 STR	50	2 STR	50

Standards :

UL 467
CSA C22.2 No. 41;22
NEC Article 250

Certifications :



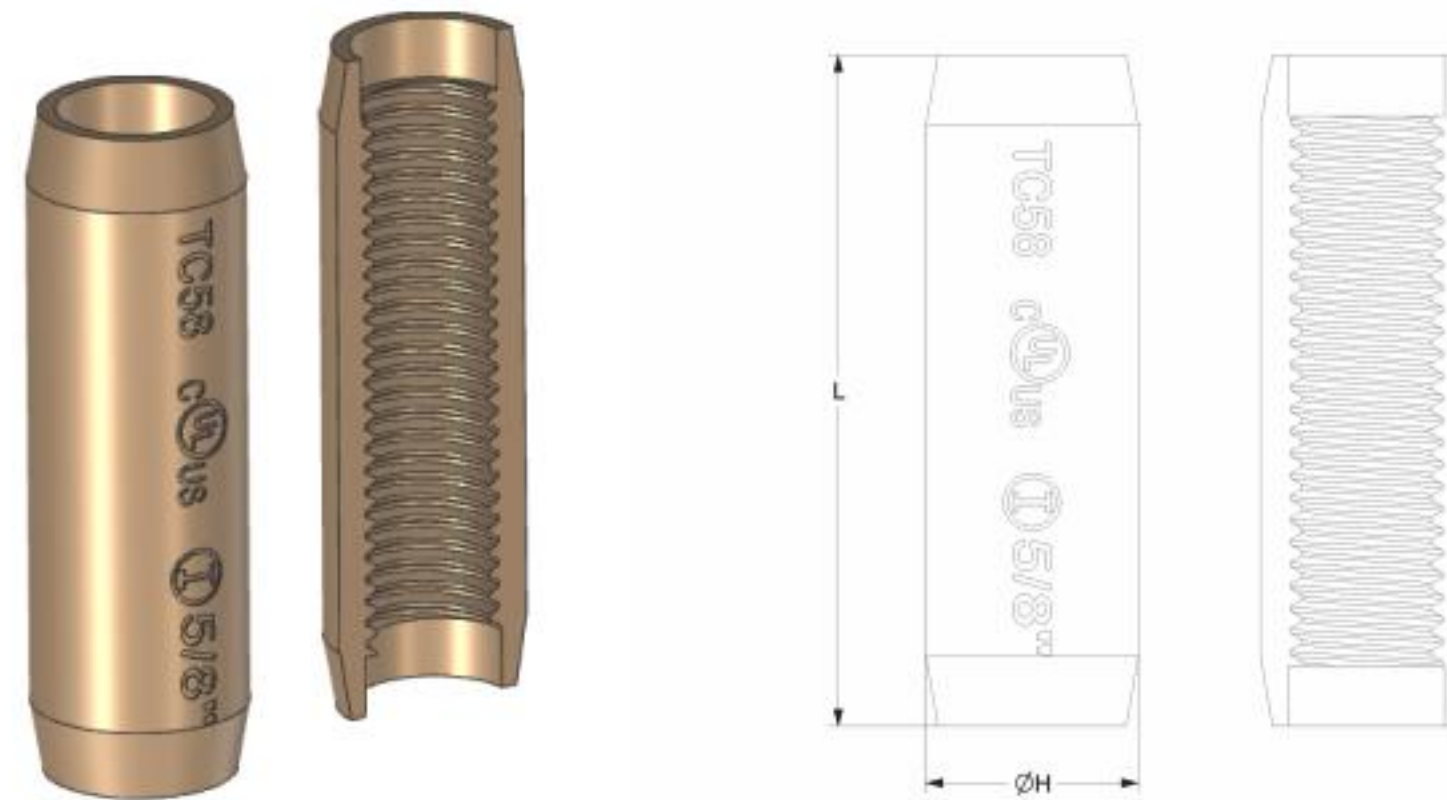
E550426



Ground Rod Couplings

Application & Features :

- Used as a mechanical connection between sectional ground rods.
- High-strength corrosion-resistant copper alloy ensure low-resistance connection Suitable For Direct Burial.



PART NO.	ROD DIAMETER (IN.)	THREAD SIZE	WEIGHT / CASE	PER BOX	DIMENSIONS (IN.)	
					L	OD
TC12	1/2	9/16 in. - 12 UNS	17	25	2.76	0.74
TC58	5/8	5/8 in. - 11 UNS	25	25	2.76	0.88
TC34	3/4	3/4 in. - 10 UNS	38	25	2.76	1.00
TC01	1*	1 - 8 UNS	75	10	-	-

* This item is not UL listed

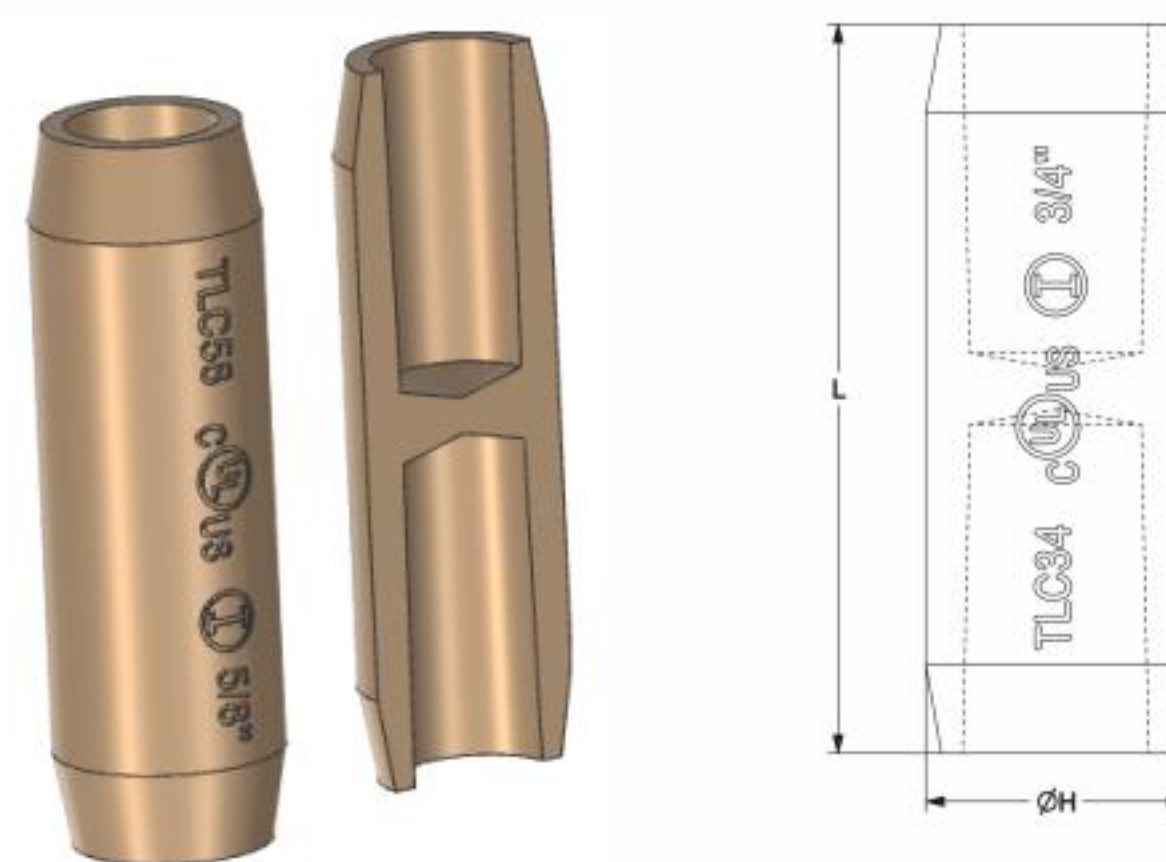
Standards :

UL 467
CSA C22.2 No. 41;22
NEC Article 250

Certifications :



Threadless Couplings



PART NO.	SIZE (IN.)	DIMENSIONS (IN.)		WEIGHT / CASE	PER BOX	DIMENSIONS (IN.)	
		LENGTH	DIAMETER			L	OD
TLC12	1/2	3.0	0.78	----	25	2.36	0.75
TLC58	5/8	2.5	0.69	----	25	2.75	0.88
TLC34	3/4	3.0	0.97	----	25	2.75	1.00

Standards :

UL 467
CSA C22.2 No. 41;22
NEC Article 250

Certifications :



Stainless Steel Grounding Rods

Application & Features :

- Stainless steel ground rods are used to overcome many of the problems caused by galvanic corrosion which can take place between dissimilar.
- metals buried in close proximity.
- Provide a means of conducting current from a ground wire into the ground.
- Offered in Type 316 SS and Type 304 SS.
- Offered in 8- and 10-foot lengths.
- Manufactured in stainless steel to help prevent corrosion.
- Can be installed using ordinary hand tools and require little maintenance or repair.
- Provided in a bright, polished finish that does not require touch up or painting.



PART NUMBER	DIMENSIONS		LENGTH		THREAD SIZE	LISTING
	INCHES	MM	FT	METER		
I-1208ST	1/2"	12.7	8'	2.44	9/16"	UL LISTED
I-1208SU	1/2"	12.7	8'	2.44	Unthreaded	UL LISTED
I-1210ST	1/2"	12.7	10'	3.05	9/16"	UL LISTED
I-1210SU	1/2"	12.7	10'	3.05	Unthreaded	UL LISTED
ISS-148	5/8"	14.2	8'	2.44	5/8"	UL LISTED
I-5808SU	5/8"	14.2	8'	2.44	Unthreaded	UL LISTED
I-5808ST	5/8"	14.2	10'	3.05	5/8"	UL LISTED
ISS-1410	5/8"	14.2	10'	3.05	Unthreaded	UL LISTED
I-3408ST	3/4"	17.2	8'	2.44	3/4"	UL LISTED
I-3408SU	3/4"	17.2	8'	2.44	Unthreaded	UL LISTED
I-3410ST	3/4"	17.2	10'	3.05	3/4"	UL LISTED
ISS-1710	3/4"	17.2	10'	3.05	Unthreaded	UL LISTED

Standards :

UL 467
 CSA C22.2 No. 41;22
 NEC Article 250
 NEMA GR-1

Certifications :



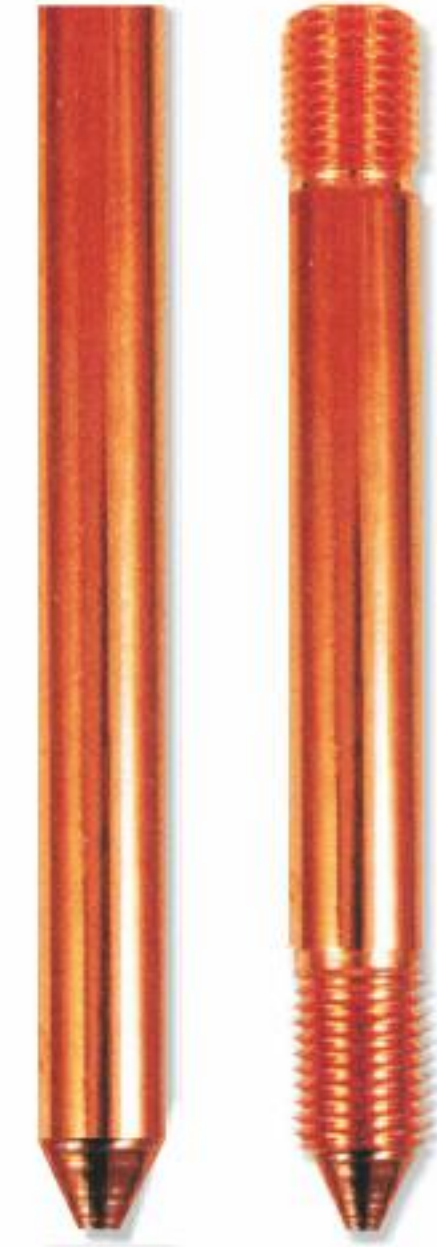
E532634



Copper Bonded Grounding Rods

Application & Features :

- Copper bonded ground rods, offers a complete range of rods, driving sleeves and studs, rod coupling methods and connections for reliable grounding in nearly any application.
- It is made from low Carbon Steel as per IS 2062 standard with high tensile strength material.
- Low carbon steel rods are molecularly bonded with 99.9% pure electrolytic copper.
- Our 250/330 microns copper bonded earth rods of 14.2 mm dia. & 17.2 mm dia. are compliant as per IEC 62561-2.
- Perfectly bonded rod will last longer, drive easier and will not crack.



PART NUMBER	LENGTH		COPPER THICKNESS		THREAD SIZE	SHANK DIAMETER	LISTING
	FT	MM	MIL.	MM			
IBR-244	8	2440	10	254	9/16"	12.7 MM	UL LISTED
IBR-244D	8	2440	10	254	Unthreaded	12.7 MM	UL LISTED
IBR-305D	10	3050	10	254	9/16"	12.7 MM	C UL US LISTED
IBR-305E	10	3050	10	254	Unthreaded	12.7 MM	C UL US LISTED
IBR-1212T	12	3650	10	254	9/16"	12.7 MM	C UL US LISTED
IBR-1212U	12	3650	10	254	Unthreaded	12.7 MM	C UL US LISTED
IBR-244A	8	2440	10	254	5/8"	14.2 MM	UL LISTED
IBR-5808	8	2440	13	330	5/8"	14.2 MM	UL LISTED
IBR-244E	8	2440	10	254	Unthreaded	14.2 MM	UL LISTED
I-5808BUR	8	2440	13	330	Unthreaded	14.2 MM	UL LISTED
IBR-305	10	3050	10	254	5/8"	14.2 MM	C UL US LISTED
IBR-305A	10	3050	10	254	Unthreaded	14.2 MM	C UL US LISTED
I-5810BUR	10	3050	13	330	Unthreaded	14.2 MM	C UL US LISTED
I-5812BT	12	3650	10	254	5/8"	14.2 MM	C UL US LISTED
I-5812BU	12	3650	10	254	Unthreaded	14.2 MM	C UL US LISTED
IBR-244C	8	2440	10	254	3/4"	17.2 MM	UL LISTED
IBR-244B	8	2440	10	254	Unthreaded	17.2 MM	UL LISTED
IBR-305C	10	3050	10	254	3/4"	17.2 MM	C UL US LISTED
IBR-305B	10	3050	10	254	Unthreaded	17.2 MM	C UL US LISTED
IBR-3412T	12	3650	10	254	3/4"	17.2 MM	C UL US LISTED
IBR-3412U	12	3650	10	254	Unthreaded	17.2 MM	C UL US LISTED
IBR-108T	8	2440	10	254	1"	23.0 MM	UL LISTED
IBR-108U	8	2440	10	254	Unthreaded	23.0 MM	UL LISTED
IBR-110T	10	3050	10	254	1"	23.0 MM	C UL US LISTED
IBR-110U	10	3050	10	254	Unthreaded	23.0 MM	C UL US LISTED

Standards :

UL 467
CSA C22.2 No. 41;22
NEC Article 250
NEMA GR-1

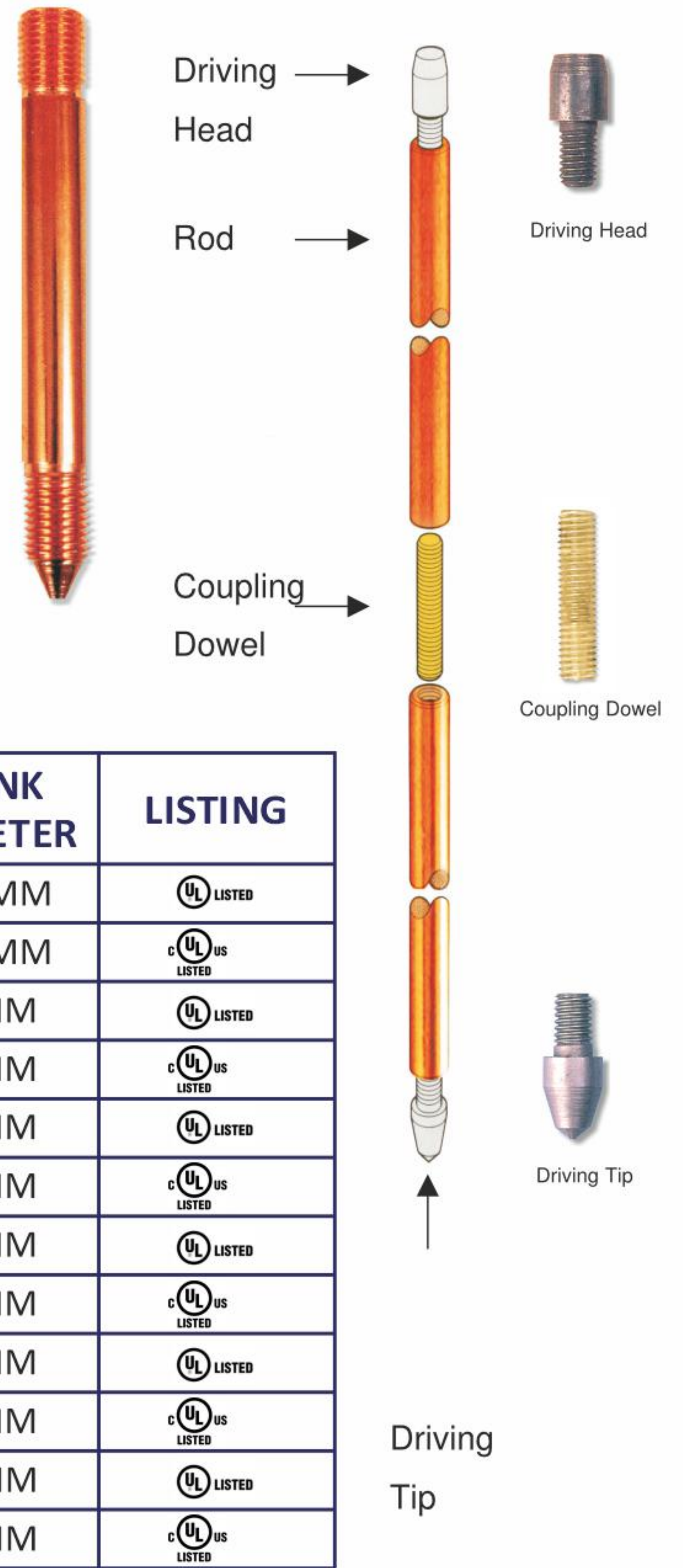
Certifications :



Copper Solid Grounding Rods

Application & Features :

- Solid Copper Ground Road are used to create a low-resistance path to earth for fault currents, lightning, and static charges.
- For use where extreme soil condition such as high salt or moisture content demands high corrosion resistance and exceptionally long life of rods.
- Ground Road are manufactured from 99.9% pure copper with internal Threading or external threading as per the and users requirement.
- Provides excellent current-carrying capacity.
- No risk of coating damage or peeling.
- Rigid rod structure allows direct driving into soil.
- Complies with IEC 62561.
- Excellent in Conductivity.



PART NUMBER	LENGTH		TRADE SIZE	THREAD SIZE	SHANK DIAMETER	LISTING
	FT	MM				
I-1208C	8	2440	1/2" X 8 Feet	M8	12.7 MM	UL LISTED
I-1210C	10	3050	1/2" X 10 Feet	M8	12.7 MM	cUL US LISTED
I-1408C	8	2440	14 MM X 8 Feet	M10	14 MM	UL LISTED
I-1410C	10	3050	14 MM X 10 Feet	M10	14 MM	cUL US LISTED
I-1508C	8	2440	15 MM X 8 Feet	M10	15 MM	UL LISTED
I-1510C	10	3050	15 MM X 10 Feet	M10	15 MM	cUL US LISTED
I-1608C	8	2440	16 MM X 8 Feet	M10	16 MM	UL LISTED
I-1610C	10	3050	16 MM X 10 Feet	M10	16 MM	cUL US LISTED
I-1908C	8	2440	19 MM X 8 Feet	M10	19 MM	UL LISTED
I-1910C	10	3050	19 MM X 10 Feet	M10	19 MM	cUL US LISTED
I-2008C	8	2440	20 MM X 8 Feet	M10	20 MM	UL LISTED
ISC-1021	10	3050	20 MM X 10 Feet	M10	20 MM	cUL US LISTED

Standards :

- UL 467
- CSA C22.2 No. 41;22
- NEC Article 250
- NEMA GR-1

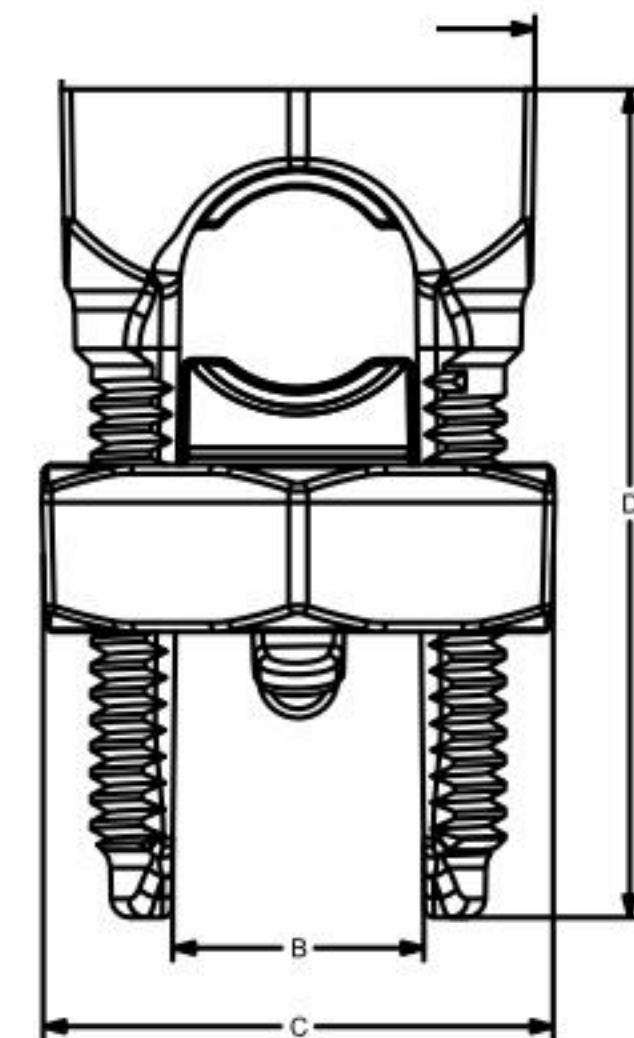
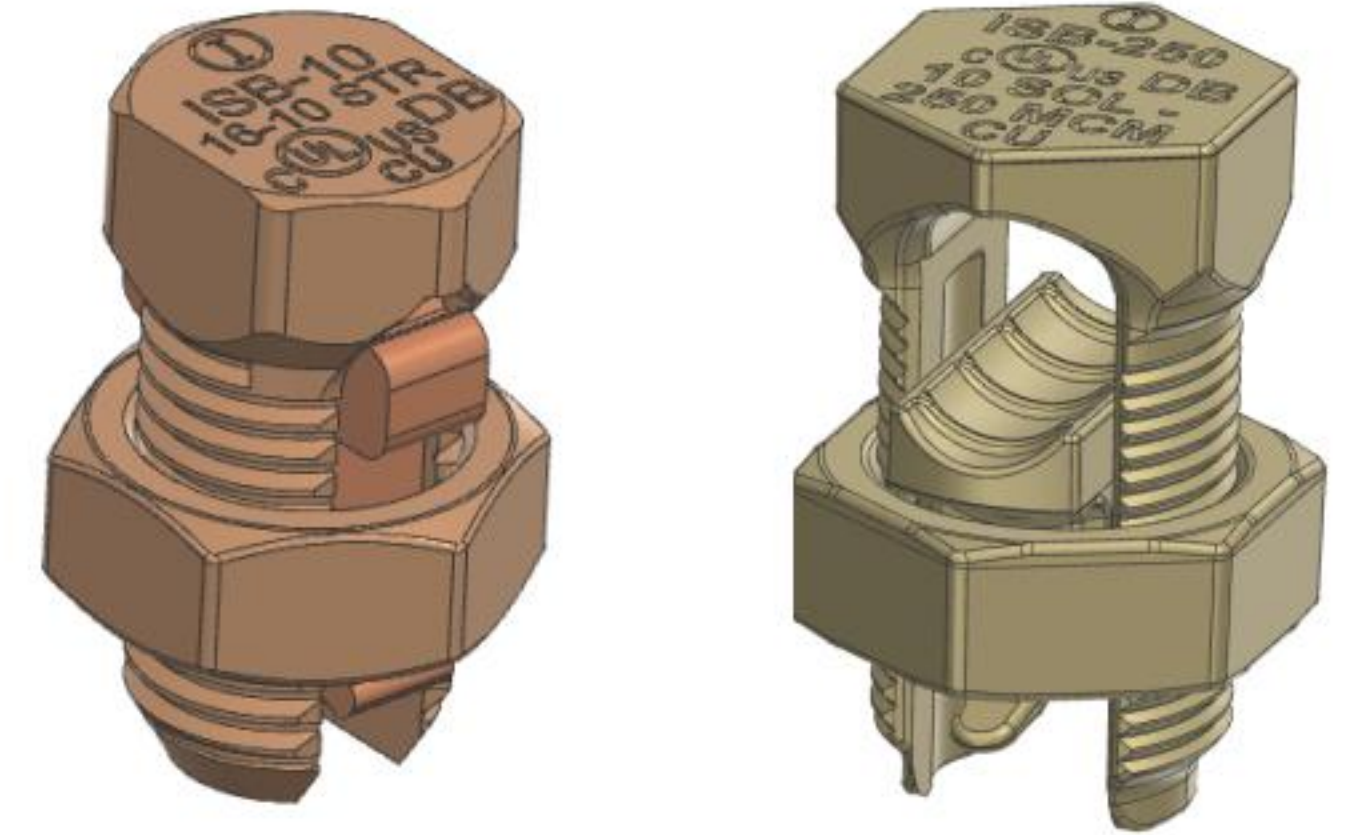
Certifications :



Copper Alloy Split Bolts Connectors

Application & Features :

- Type ISB is for use with two conductors in electrical power applications; 2 conductors or conductor to rebar in grounding/ bonding and direct burial applications in earth and concrete.
- Manufactured from high strength copper alloy - highly resistant to corrosion and season cracking.
- For use with a wide range of copper solid, compact, compressed, concentric, copperweld conductors and rebar.
- Approved for electrical power, grounding/bonding and direct burial applications.
- True hex design allows easy installation with standard tooling.
- Under torque, this design provides high contact pressure between conductors or conductor to rebar.
- Pressure bar design features give assurance of high “pull-out” and secure connection on all combinations of conductors.
- Rated for copper conductors, 600 V, 90°C.



PART NUMBER	WIRE RANGE		DIMENSIONS (IN.)					RECOMMENDED TORQUE (IN.LBF.)
	RANGE OF EQUAL MAIN AND TAP	MAIN TAP WITH ONE MAX MAIN	A	B	C	D	THREAD	
ISB-10	16 STR-10 STR	16 STR	0.38	0.150	0.50	0.82	3/8"-24 UNF	80
ISB-8	16 STR-8 STR	16 STR	0.44	0.150	0.50	0.98	3/8"-24 UNF	80
ISB-6	10 SOL-6 SOL	16 SOL	0.50	0.165	0.62	1.10	7/16"-20 UNF	165
ISB-4	8 SOL-4 SOL	16 SOL	0.56	0.215	0.67	1.13	1/2"-20 UNF	165
ISB-3	6 SOL-2 SOL	12 SOL	0.69	0.310	0.81	1.43	5/8"-18 UNF	275
ISB-2	6 SOL-2 STR	14 STR	0.69	0.310	0.81	1.43	5/8"-18 UNF	275
ISB-1/0	4 SOL-1/0 STR	14 SOL	0.75	0.377	0.86	1.65	11/16"-16 UNF	385
ISB-2/0	2 SOL-2/0 STR	14 STR	0.96	0.410	1.13	1.90	7/8"-14 UNF	385
ISB-3/0	2 SOL-3/0 STR	12 SOL	1.06	0.472	1.18	2.00	15/16"-16 UN	500
ISB-250	1/0 SOL-250 kcmil	10 SOL	1.13	0.580	1.31	2.09	1-14" UNS	650
ISB-350	4/0 STR-350 kcmil	8 SOL	1.50	0.745	1.63	2.63	1-5/16"-12 UN	650

Standards :

UL 467
CSA C22.2 No. 41;22
NEC Article 250

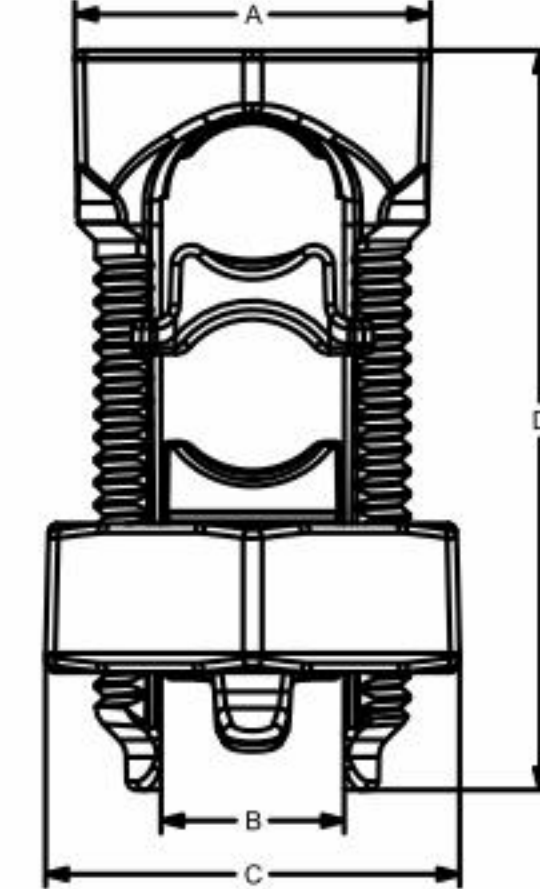
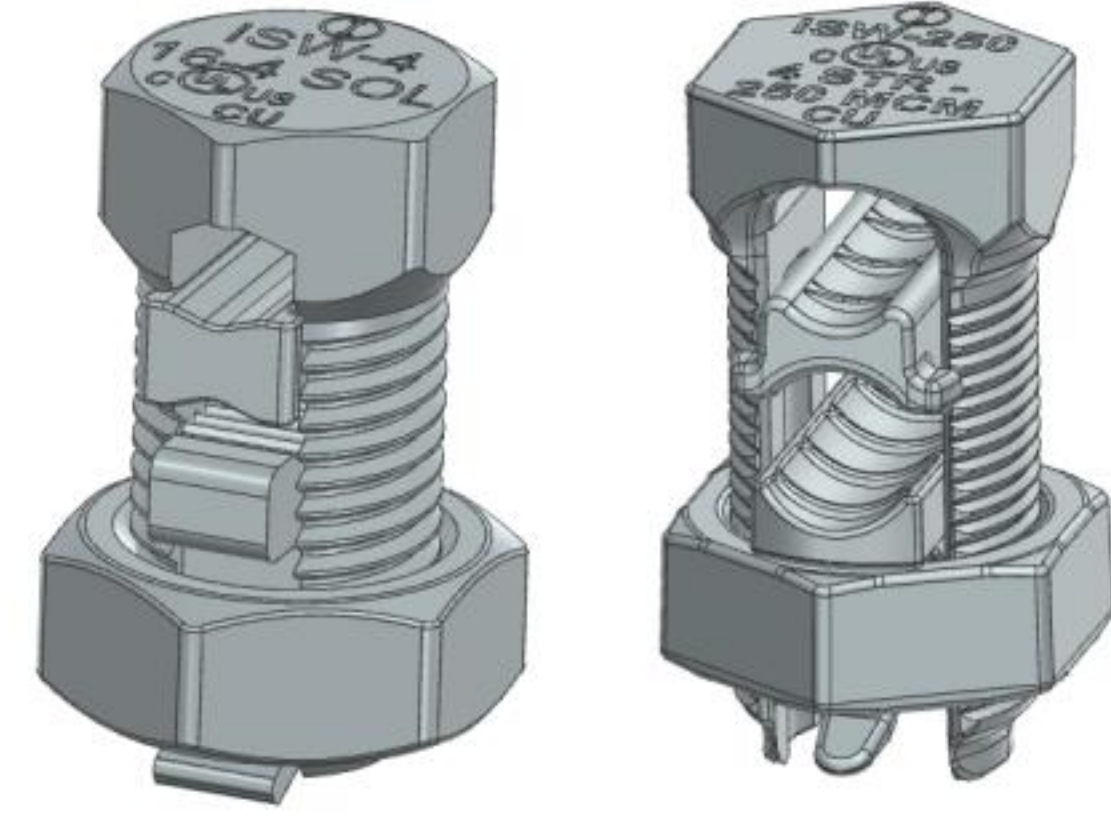
Certifications :



Copper Alloy Tin Plated Split Bolts Connectors

Application & Features :

- Type ISW is suitable for use in circuits rated 35KV or less, proper high voltage spacing and insulation techniques must be used.
- Manufactured from high strength copper alloy.
- For use with a wide range of copper solid, compact, compressed, concentric conductors.
- Electro-tin plated bolt, nut, spacer and pressure bar (Tongue).
- True hex design allows easy installation with standard tooling.
- Under torque, this design provides high contact pressure between conductors to connectors.
- Pressure bar design features give assurance of high “pull-out” and secure connection on all combinations of conductors .
- Dual rated for AL-CU conductors 90°C.
- Provides maximum conductivity and high breakage resistance.



PART NUMBER	WIRE RANGE		DIMENSIONS (IN.)					RECOMMENDED TORQUE (IN.LBF.)
	RANGE OF EQUAL MAIN AND TAP	MAIN TAP WITH ONE MAX MAIN	A	B	C	D	THREAD	
ISW-10	16 STR-10 STR	16 STR	0.38	0.150	0.50	0.82	3/8"-24 UNF	80
ISW-8	16 STR-8 STR	16 STR	0.44	0.150	0.50	0.98	3/8"-24 UNF	80
ISW-6	14 STR-8 STR	14 STR	0.50	0.165	0.62	1.10	7/16"-20 UNF	165
ISW-4	10 STR-6 STR	10 SOL	0.56	0.215	0.67	1.13	1/2"-20 UNF	165
ISW-3	8 SOL-2 SOL	8 SOL	0.69	0.310	0.81	1.43	5/8"-18 UNF	275
ISW-2	8 SOL-2 STR	8 SOL	0.69	0.310	0.81	1.43	5/8"-18 UNF	275
ISW-1/0	6 SOL-1/0 STR	10 SOL	0.75	0.377	0.86	1.65	11/16"-16 UNF	385
ISW-2/0	6 STR-2/0 STR	10 SOL	0.96	0.410	1.13	1.90	7/8"-14 UNF	385
ISW-3/0	4 STR-3/0 STR	6 SOL	1.06	0.472	1.18	2.00	15/16"-16 UN	500
ISW-250	4 STR-250 kcmil	4 STR	1.13	0.580	1.30	2.33	1-14" UNS	650
ISW-350	3/0 STR-350 kcmil	1 SOL	1.50	0.745	1.62	2.63	1-5/16"-12 UN	650

Standards :

UL 486A-486B
CSA C22.2 No. 65

Certifications:



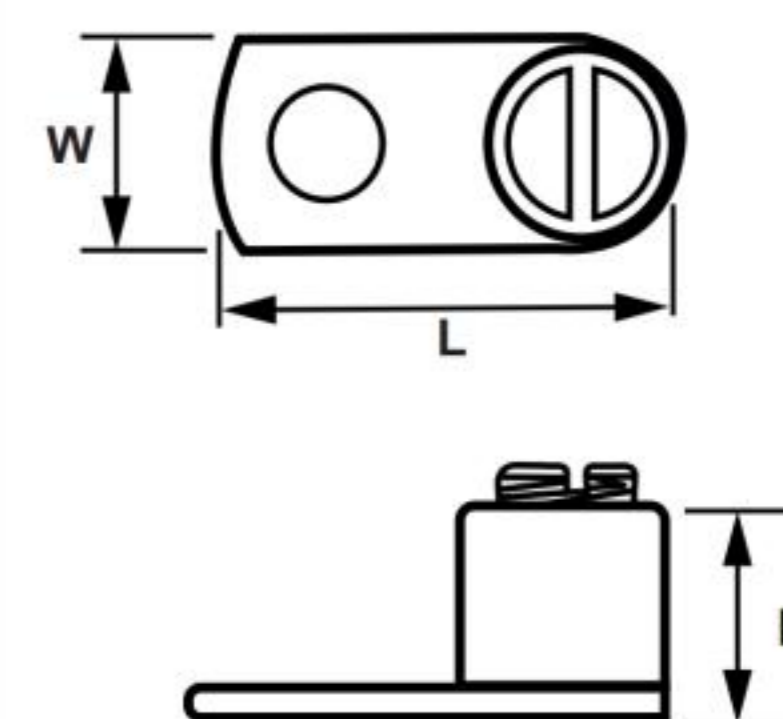
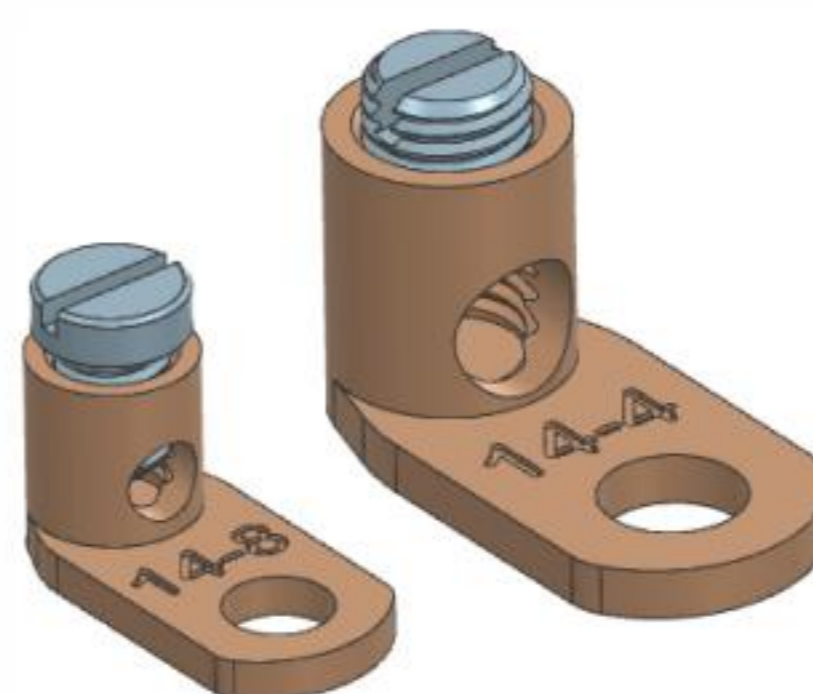
E532633



Single Hole Copper Post Connector

Application & Features :

- Used to Connect a cable conductor to a stud, switchgear, busbar or terminal.
- Provides secure mechanical and electrical contact.
- Manufactured from high-conductivity copper alloy.
- Range taking.
- Rated for copper conductor only.
- Provides maximum conductivity and strength.



PART NO.	WIRE RANGE (CU)		DIMENSIONS (IN.)			BOLT SIZE
	MIN.	MAX	L	W	H	
IL14	#14 STR/SOL	#8 STR	0.82	0.38	0.39	12-24"
IL15	#14 STR/SOL	#4 - STR	1.13	0.55	0.55	5/16-24"

Electrical Rating :

- Voltage Rating : 600 V
- Maximum Circuit Rating: 35 kV
- Temperature Rating : 90° C

Standards :

UL 486A-486B
CSA C22.2 No.65
Wire Connectors

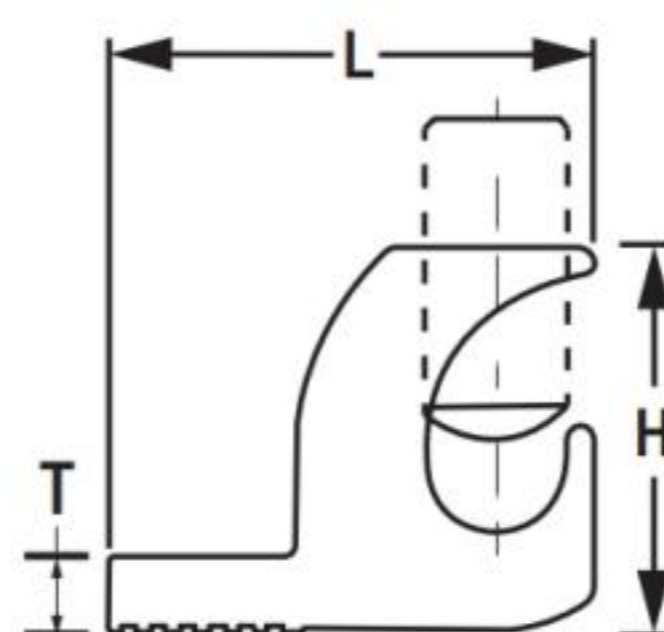
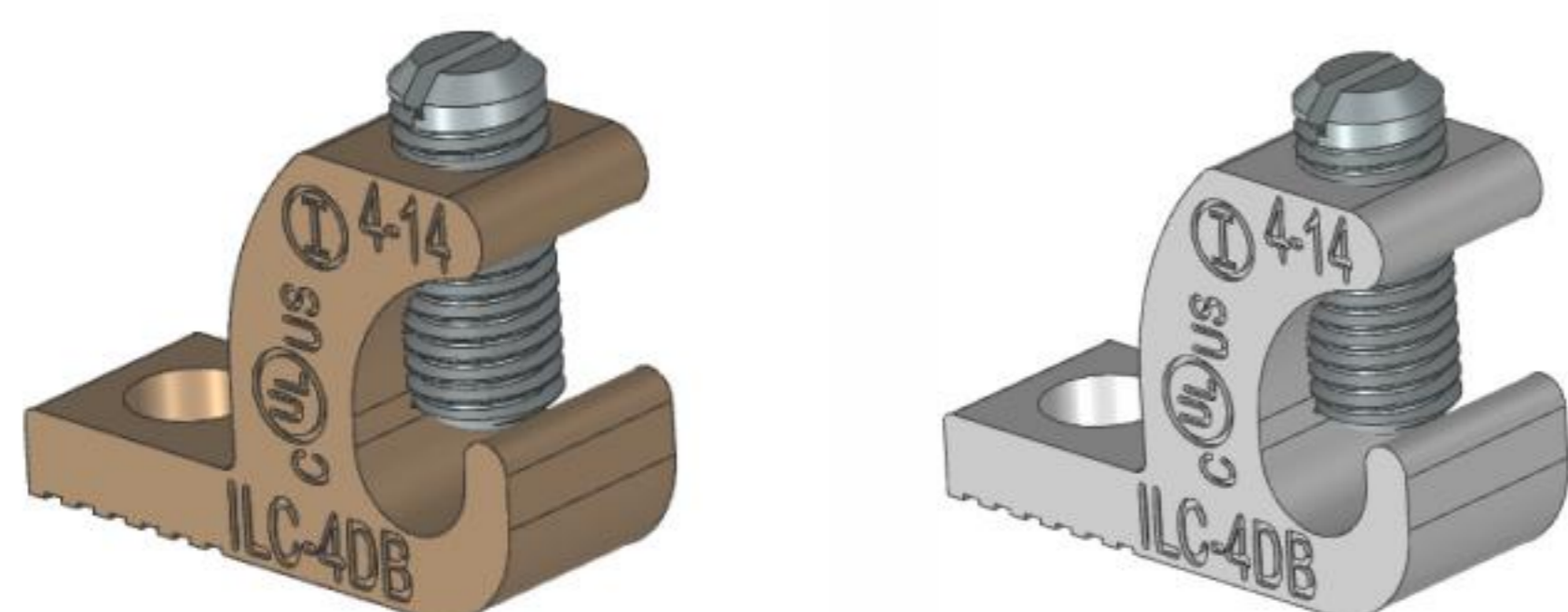
Certifications :



Grounding Mechanical Lay - In Lugs

Application & Features :

- Copper lay-in lugs are mainly used for grounding, bonding, and electrical terminations where a conductor needs to be connected securely without cutting the wire.
- Lay in feature.
- Provides ease of installation of continuous loop grounding conductor.
- Manufactured from high strength copper.
- Suitable for direct burial and for use with copper conductors.



PART NO.	WIRE RANGE (CU)		DIMENSIONS (IN.)				BOLT SIZE
	MIN.	MAX	L	W	H	T	
ILC-4DB	#14 STR/SOL	#4-STR	1.06	0.38	0.74	0.13	1/4-28"
ILC-4DBP*	#14 STR/SOL	#4 - STR	1.06	0.38	0.74	0.13	1/4-28"

* TIN PLATED

Electrical Rating:

- Voltage Rating : 600 V
- Temperature Rating : 90° C

Standards:

UL 467
CSA C22.2 No. 41;22
NEC Article 250

Certifications:

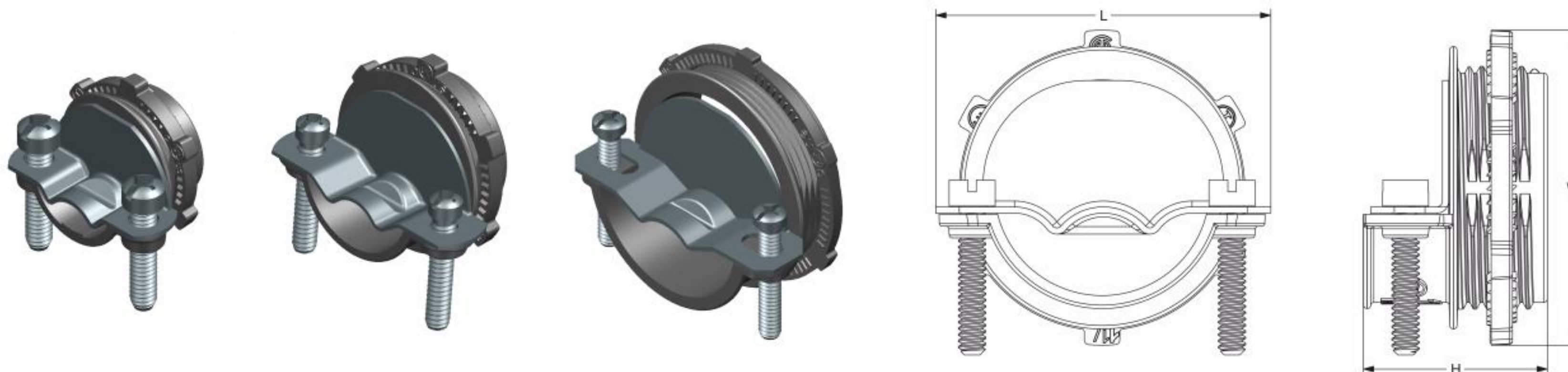


CLAMP TYPE ROMEX CONNECTORS

Non-Metallic Sheathed Cable Connector

Application & Features :

- Used to terminate NM sheathed cable, flexible cord or SE cable to outlet boxes and enclosures in dry locations
- Assembled with die-cast locknut and zinc plated steel screws
- Die-cast from high strength zinc alloy
- Designed to secure non-metallic (NM) sheathed cables to electrical boxes and enclosures.
- Provides strain relief to prevent cable pull-out and mechanical damage.
- Smooth throat or insulated clamp helps protect cable insulation from sharp edges.
- Suitable for indoor dry-location applications only.
- Commonly used in residential wiring for switches, outlets, lighting circuits, and junction boxes.
- Compatible with standard knockout sizes in electrical boxes and panels.
- Helps ensure safe, neat, and code-compliant cable termination.



Part Number	Trade Size (Knockout)	DIMENSIONS IN INCH		
		L	H	W
IR-1	1/2"	1.20	0.75	1.08
IR-2	3/4"	1.65	0.94	1.33
IR-3	1"	1.95	1.05	1.65
IR-4	1-1/4"	2.23	1.24	2.02
IR-5	1-1/2"	3.04	1.42	2.35
IR-6	2"	3.04	1.57	2.89

Note : IR-1 to IR-6 NM Connector cULus Listing Wiring Sizes Mentioned next page

Standards :

UL 514B, CSA 22.2 No. 18-3.12
Conduit, Tubing, & Cable Fittings

Certifications:



IR-1 to IR-6 NM Connector cULus Listing Wiring Sizes



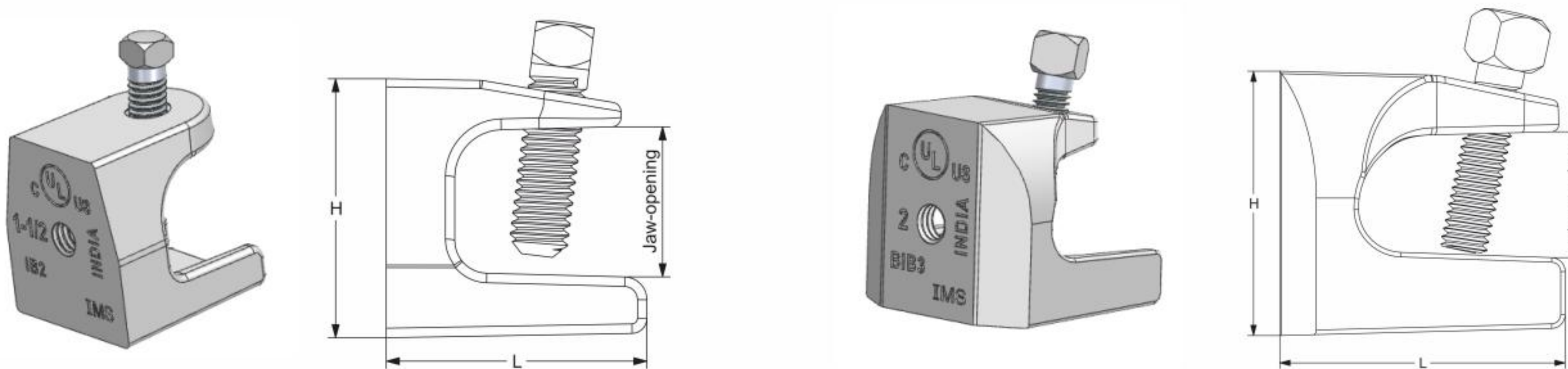
PART NO.	TRADE SIZE (KNOCKOUT)	NM CABLE SIZES (RANGE)		FLEX CORD	SEU-2 SERVICE ENTRANCE CABLE			
		SAME SIZE	DIFFRENT SIZE	DIA. RANGE	CABLE	APPROX. O.D.		
IR-1	3/8" mean 1/2 inch	"(1 to 3) 14/2	"(1) 14/2 & (1) 14/3	0.300 —0.560 "				
		(1 to 2) 14/3"	(1) 14/2 & (1) 12/2"					
		(1) 14/4	{1) 14/2 & (1) 12/3					
		(1 to 2) 12/2	(1) 14/2 & (1) 10/2					
		(1) 12/3,	(1) 14/3 & (1) 12/2					
		(1) 12/4	(1) 12/2 & (1) 12/3					
		(1 to 2) 10/2	(1) 12/2 & (1) 10/2					
		(1) 10/3	(2) 14/2 & (1) 14/3					
IR-2	3/4"	(2 to 3) 14/2,	(1) 14/3 & (1) 12/3	0.400—0.720"	6-6-6	0.450 x0.700"		
		(2 to 3) 14/3	(1) 14/3 & (1) 10/3					
		(1 to 3) 14/4,	(1) 12/3 & (1) 10/3					
		(2 to 3) 12/2,						
		(1 to 3) 12/3,						
		(1 to 2) 12/4,						
		(1 to 3) 10/2,						
		(1 to 2) 10/3,						
		(1) 8/2						
		(1) 8/3						
		(1) 6/2,						
		(1) 6/3,						
IR-3	1"	(1 to 5) 12/3,	(1) 12/3 & (1) 10/3	0.450 — 0.820"	6-6-6	0.450 x0.700"		
		"(1to 2) 12/4,	(1) 12/3 & (1) 8/2				2-2-2	0.565 x 0.920"
		(2 to 4) 10/2,"	(1) 10/3 & (1) 8/2					
		(2 to 4) 10/3,	(1) 8/2 & (1) 6/2					
		(1 to 2) 8/2,	(2) 8/3 & (1) 6/2					
		(1 to 2) 8/3,						
		(1 to 2) 6/2,						
		(1) 6/3						
		(1) 4/3						
(1) 2/3								
IR-4	1—1/4"	[2 to 4) 8/2,			2-2-2	0.565 x 0.920"		
		(2 to 3) 8/3,					2/0-2/0-2/0	0.735-1.220"
		(2 to 4) 6/2,						
		(1 to 3) 6/3						
		(1) 4/3						
		(1) 2/3						
IR-5	1—1/2"	"(3 to 5) 8/2,			2/0-2/0-2/0	0.735-1.220"		
		(3 to 6) 8/3,						
		(3 to 5) 6/2.						
		(2 to 4) 6/3						
		(2) 4/3						
		(1) 2/3"						
IR-6	2"	"(5 to 8) 8/2,			2/0-2/0-2/0	0.735-1.220"		
		(5 to 8) 8/3,						
		(5 to 8) 6/2,						
		(3 to 7) 6/3						
		(2 to 3) 4/3						
		(2to 3) 2/3"						

CLAMPS AND HANGERS - RIGID FITTINGS

Beam Clamps- Ductile Iron (Zn plated/HDG)

Application & Features :

- Used to attach electrical hardware to steel structures
- Assembled with square head bolt
- Also, used to securely hang electrical, piping, and mechanical systems from steel beams without damaging the structure.
- Cast from high strength ductile iron and zinc plated or Hot Dip galvanized
- Fast Installation, Strong load holding, Adjustable positioning
- Reusable fastening with Corrosion resistance



PART NO.	TRADE SIZE	JAW OPENING	BEAM THICKNESS	THREADED HOLE (UNC)	BOLT SIZE (UNC)	RECOMMENDED TORQUE (lbs-In)	*MAXIMUM LOAD RATINGS		MAX. TRADE SIZE CONDUIT TUBING
							HORIZONTAL (lbs-In)	VERTICAL (lbs-In)	
IB-1S	3/4	13/16"	1/8" - 1/2"	1/4-20	5/16-18	60	300	450	2
IB-1AS	3/4	13/16"	1/8" - 1/2"	10-24	5/16-18	60	300	450	2
IB-1BS	3/4	13/16"	1/8" - 1/2"	3/8-16	5/16-18	60	300	450	2
IB-1	1	13/16"	1/8" - 1/2"	1/4-20	5/16-18	60	300	450	2
IB-2	1-1/2	7/8"	1/8" - 1/2"	5/16-18	3/8-16	60	450	900	2-1/2
IB-3	2-1/2	1-1/8"	1/4" - 1/2"	3/8-16	1/2-13	125	600	900	3-1/2
IB-4	3-1/2	31/32"	1/2" - 3/4"	1/2-13	5/8-11	250	1050	1800	5
BIB-3	2	7/8"	1/4" - 1/2"	3/8-16	3/8-16	60	525	1200	3
BIB-4	3	1-3/16"	1/2" - 3/4"	1/2-13	1/2-13	125	900	1800	3-1/2

*- UL load rating is 1/3 of maximum static load

Standards :

UL 2239, CSA C22.2 No.18
Conduit and Cable
Hardware

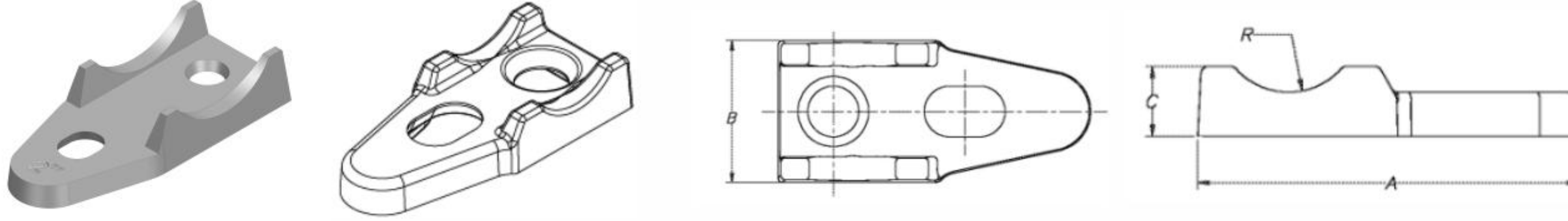
Certifications :



Clamp Back - Ductile Iron (Zn Plated/HDG)

Application & Features :

- Provide space between conduit and mounting surface
- Used with one-hole straps to support EMT, Rigid conduit or IMC
- Cast from high strength ductile iron and zinc plated or Hot Dip galvanized
- Fast Installation, Strong load holding, Adjustable positioning
- Reusable fastening with Corrosion resistance



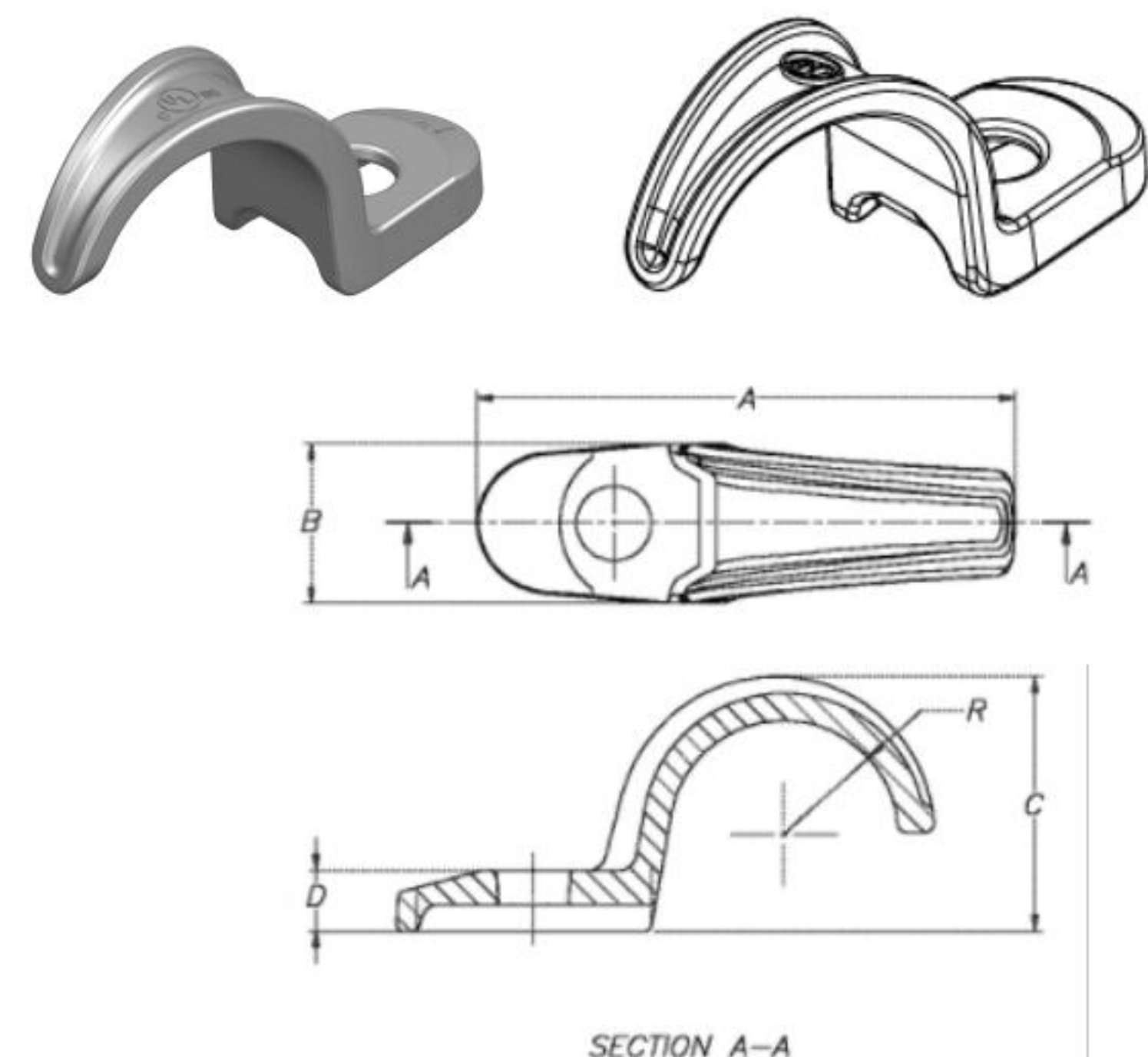
PART NUMBER	SIZE	CONDUIT TO BE USED	DIMENSIONS IN INCH			
			A	B	C	R
ICB050	1/2"	EMT/IMC/RMC	2.30	1.05	0.42	0.43
ICB075	3/4"	EMT/IMC/RMC	2.44	1.18	0.46	0.54
ICB100	1"	EMT/IMC/RMC	3.03	1.27	0.50	0.67
ICB125	1-1/4"	EMT/IMC/RMC	3.53	1.60	0.55	0.84
ICB150	1-1/2"	EMT/IMC/RMC	3.91	1.61	0.60	0.96
ICB200	2"	EMT/IMC/RMC	4.80	1.95	0.96	1.2
ICB250	2-1/2"	EMT/IMC/RMC	5.42	2.50	0.78	0.145
ICB300	3"	EMT/IMC/RMC	6.75	2.67	0.86	1.77
ICB350	3-1/2"	EMT/IMC/RMC	7.43	2.29	1.06	2.02
ICB400	4"	EMT/IMC/RMC	8.11	3.51	1.10	2.27

One Hole Conduit Straps - Ductile Iron (Zn Plated/HDG)

Application & Features :

- Used to support rigid conduit or IMC to mounting surface
- Can be used with clamp backs
- 2-1/2" through 4" trade sizes are also use with EMT
- Cast from high strength ductile iron and zinc plated or Hot Dip galvanized
- Fast Installation, Strong load holding, Adjustable positioning

PART NUMBER	SIZE	DIMENSIONS IN INCH			
		A	B	C	R
IS050	1/2"	2.02	0.60	0.96	0.43
IS075	3/4"	2.20	0.73	1.00	0.53
IS100	1"	2.71	0.90	1.31	0.67
IS125	1-1/4"	3.13	0.79	1.72	0.84
IS150	1-1/2"	3.90	1.06	2.06	0.96
IS200	2"	4.41	1.39	2.49	1.20
IS250	2-1/2"	5.33	1.36	3.03	1.45
IS300	3"	6.71	1.47	3.74	1.76
IS350	3-1/2"	7.74	1.98	4.31	2.01
Is400	4"	8.16	2.03	4.96	2.27



Standards :

UL 2239, CSA C22.2 No.18
Conduit and Cable
Hardware

Certifications :



Single Gang- Metallic Weatherproof Box

Application & Features :

- For use as a weatherproof junction box in damp or wet locations when combined with a weatherproof cover.
- Features an accessible wiring chamber that provides a convenient location to maintain or change a system, make splices, and pull conductors.
- Junction box to branch conduits
- Durable die-cast aluminum construction provides a long product life.
- 1/2", 3/4" and 1" NPT threaded Outlets.
- Precision cast and machined surfaces allow safer wire-pulling.
- Mounting lugs for a variety of mounting methods.
- Available in gray and white



PART NO.	TRADE SIZE	COLOR	CUBIC INCHES (VOLUME)	DEPTH	OUTLETS	THREAD SIZE
IW153-G	1/2	GRAY	18.3	2"	(3) 1/2"	1/2"-14 NPT
IW153D-G	1/2	GRAY	25.5	2-5/8"	(3) 1/2"	1/2"-14 NPT
IW154DG	1/2	GRAY	23.8	2-5/8"	(4) 1/2"	1/2"-14 NPT
IW154-G	1/2	GRAY	17.0	2"	(4) 1/2"	1/2"-14 NPT
IW155-G	1/2	GRAY	18.3	2"	(5) 1/2"	1/2"-14 NPT
IW155X-G	1/2	GRAY	18.3	2"	(5) 1/2"	1/2"-14 NPT
IW155DX-G	1/2	GRAY	25.0	2-5/8"	(5) 1/2"	1/2"-14 NPT
IW173-G	3/4	GRAY	18.3	2"	(3) 3/4"	3/4"-14 NPT
IW173D-G	3/4	GRAY	25.5	2-5/8"	(3) 3/4"	3/4"-14 NPT
IW174D-G	3/4	GRAY	23.8	2-5/8"	(4) 3/4"	3/4"-14 NPT
IW174-G	3/4	GRAY	18.3	2"	(4) 3/4"	3/4"-14 NPT
IW175-G	3/4	GRAY	17.0	2"	(5) 3/4"	3/4"-14 NPT
IW175X-G	3/4	GRAY	18.3	2"	(5) 3/4"	3/4"-14 NPT
IW175DX-G	3/4	GRAY	25.0	2-5/8"	(5) 3/4"	3/4"-14 NPT
IW113-G	1"	GRAY	17.7	2"	(3) 1"	1"-11-1/2 NPT
IW113D-G	1"	GRAY	23.0	2-5/8"	(3) 1"	1"-11-1/2 NPT
IW115X-G	1"	GRAY	16.7	2"	(5) 1"	1"-11-1/2 NPT
IW115DX-G	1"	GRAY	23.0	2-5/8"	(5) 1"	1"-11-1/2 NPT

Standards :

UL 514B, CSA 22.2 No. 18-3.12
Conduit, Tubing, & Cable Fittings

Certifications:

UL Listing - completed soon
Under Testing



Single Gang- Metallic Weatherproof Box

Application & Features :

- For use as a weatherproof junction box in damp or wet locations when combined with a weatherproof cover.
- Features an accessible wiring chamber that provides a convenient location to maintain or change a system, make splices, and pull conductors.
- Junction box to branch conduits
- Durable die-cast aluminum construction provides a long product life.
- 1/2", 3/4" and 1" NPT threaded Outlets.
- Precision cast and machined surfaces allow safer wire-pulling.
- Mounting lugs for a variety of mounting methods.
- Available in gray and white



PART NO.	TRADE SIZE	COLOR	CUBIC INCHES (VOLUME)	DEPTH	OUTLETS	THREAD SIZE
IW153-W	1/2	WHITE	18.3	2"	(3) 1/2"	1/2"-14 NPT
IW153D-W	1/2	WHITE	25.5	2-5/8"	(3) 1/2"	1/2"-14 NPT
IW154DW	1/2	WHITE	23.8	2-5/8"	(4) 1/2"	1/2"-14 NPT
IW154-W	1/2	WHITE	17.0	2"	(4) 1/2"	1/2"-14 NPT
IW155-W	1/2	WHITE	18.3	2"	(5) 1/2"	1/2"-14 NPT
IW155X-W	1/2	WHITE	18.3	2"	(5) 1/2"	1/2"-14 NPT
IW155DX-W	1/2	WHITE	25.0	2-5/8"	(5) 1/2"	1/2"-14 NPT
IW173-W	3/4	WHITE	18.3	2"	(3) 3/4"	3/4"-14 NPT
IW173D-W	3/4	WHITE	25.5	2-5/8"	(3) 3/4"	3/4"-14 NPT
IW174D-W	3/4	WHITE	23.8	2-5/8"	(4) 3/4"	3/4"-14 NPT
IW174-W	3/4	WHITE	18.3	2"	(4) 3/4"	3/4"-14 NPT
IW175-W	3/4	WHITE	17.0	2"	(5) 3/4"	3/4"-14 NPT
IW175X-W	3/4	WHITE	18.3	2"	(5) 3/4"	3/4"-14 NPT
IW175DX-W	3/4	WHITE	25.0	2-5/8"	(5) 3/4"	3/4"-14 NPT
IW113-W	1"	WHITE	17.7	2"	(3) 1"	1"-11-1/2 NPT
IW113D-W	1"	WHITE	23.0	2-5/8"	(3) 1"	1"-11-1/2 NPT
IW115X-W	1"	WHITE	16.7	2"	(5) 1"	1"-11-1/2 NPT
IW115DX-W	1"	WHITE	23.0	2-5/8"	(5) 1"	1"-11-1/2 NPT

Standards :

UL 514B, CSA 22.2 No. 18-3.12
Conduit, Tubing, & Cable Fittings

Certifications:

UL Listing - completed soon
Under Testing



Double Gang- Metallic Weatherproof Box

Application & Features :

- For use as a weatherproof junction box in damp or wet locations when combined with a weatherproof cover.
- Features an accessible wiring chamber that provides a convenient location to maintain or change a system, make splices, and pull conductors.
- Junction box to branch conduits
- Durable die-cast aluminum construction provides a long product life.
- 1/2", 3/4" and 1" NPT threaded Outlets.
- Precision cast and machined surfaces allow safer wire-pulling.
- Mounting lugs for a variety of mounting methods.
- Available in gray and white



PART NO.	TRADE SIZE	COLOR	CUBIC INCHES (VOLUME)	DEPTH	OUTLETS	THREAD SIZE
IW253-G	1/2"	GRAY	31.0	2"	(3) 1/2"	1/2"-14 NPT
IW254-G	1/2"	GRAY	31.0	2"	(4) 1/2"	1/2"-14 NPT
IW255-G	1/2"	GRAY	31.0	2"	(5) 1/2"	1/2"-14 NPT
IW255X-G	1/2"	GRAY	31.0	2"	(5) 1/2"	1/2"-14 NPT
IW255D-G	1/2"	GRAY	36.0	2-5/8"	(5) 1/2"	1/2"-14 NPT
IW256-G	1/2"	GRAY	31.0	2"	(6) 1/2"	1/2"-14 NPT
IW256X-G	1/2"	GRAY	31.0	2"	(6) 1/2"	1/2"-14 NPT
IW257-G	1/2"	GRAY	30.3	2"	(7) 1/2"	1/2"-14 NPT
IW257X-G	1/2"	GRAY	31.0	2"	(7) 1/2"	1/2"-14 NPT
IW257XD-G	1/2"	GRAY	36.0	2-5/8"	(7) 1/2"	1/2"-14 NPT
IW273-G	3/4"	GRAY	31.0	2"	(3) 3/4"	3/4"-14 NPT
IW274-G	3/4"	GRAY	31.0	2"	(4) 3/4"	3/4"-14 NPT
IW275-G	3/4"	GRAY	31.0	2"	(5) 3/4"	3/4"-14 NPT
IW275X-G	3/4"	GRAY	31.0	2"	(5) 3/4"	3/4"-14 NPT
IW275D-G	3/4"	GRAY	36.0	2-5/8"	(5) 3/4"	3/4"-14 NPT
IW276X-G	3/4"	GRAY	30.3	2"	(6) 3/4"	3/4"-14 NPT
IW277-G	3/4"	GRAY	30.2	2"	(7) 3/4"	3/4"-14 NPT
IW277X-G	3/4"	GRAY	30.3	2"	(7) 3/4"	3/4"-14 NPT
IW277XD-G	3/4"	GRAY	36.0	2-5/8"	(7) 3/4"	3/4"-14 NPT
IW213-G	1"	GRAY	31.0	2"	(3) 1"	1"-11-1/2 NPT
IW215X-G	1"	GRAY	31.0	2"	(5) 1"	1"-11-1/2 NPT
IW215-G	1"	GRAY	36.0	2-5/8"	(5) 1"	1"-11-1/2 NPT
IW217-G	1"	GRAY	36.0	2-5/8"	(7) 1"	1"-11-1/2 NPT

Standards :

UL 514B, CSA 22.2 No. 18-3.12
Conduit, Tubing, & Cable Fittings

Certifications:

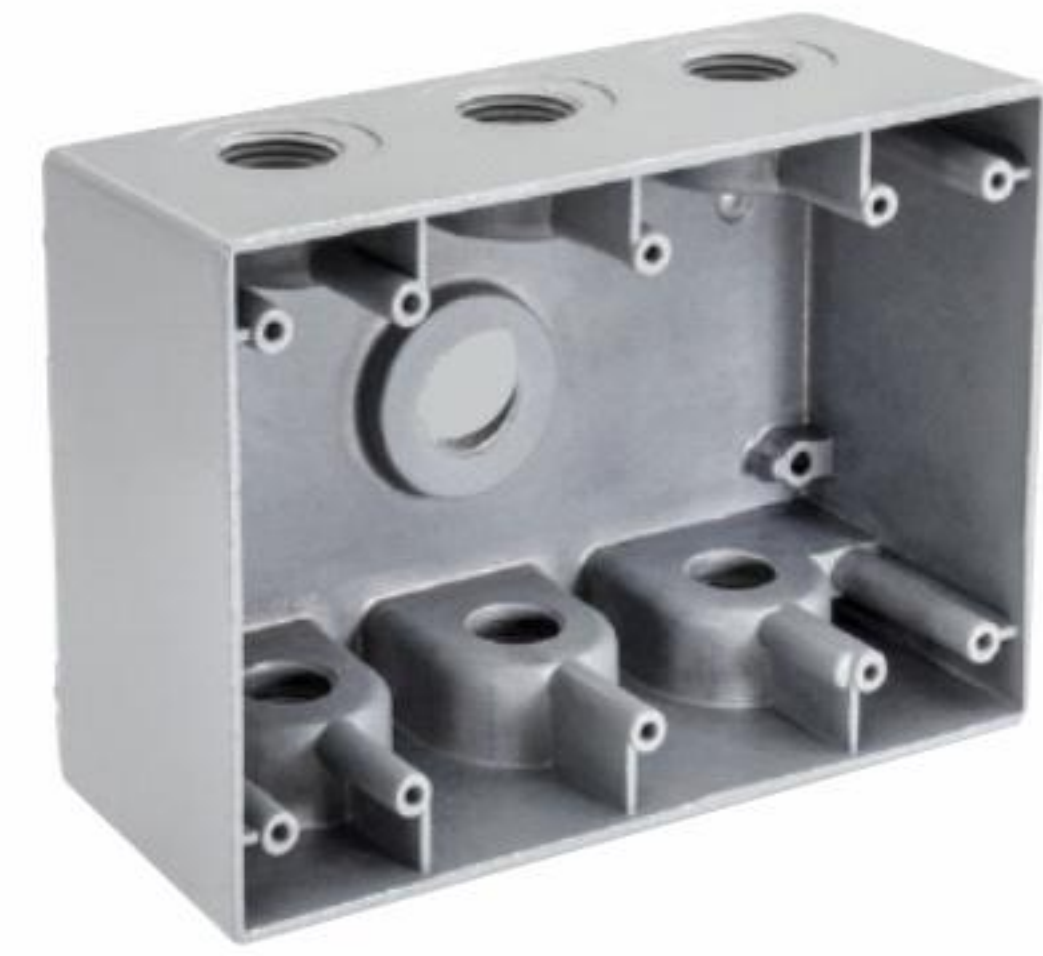
UL Listing - completed soon
Under Testing



Three-Gang Metallic Weatherproof Box

Application & Features :

- For use as a weatherproof junction box in damp or wet locations when combined with a weatherproof cover.
- Features an accessible wiring chamber that provides a convenient location to maintain or change a system, make splices, and pull conductors.
- Junction box to branch conduits
- Durable die-cast aluminum construction provides a long product life.
- 3/4" and 1" NPT threaded Outlets.
- Precision cast and machined surfaces allow safer wire-pulling.
- Mounting lugs for a variety of mounting methods.
- Available in gray and white

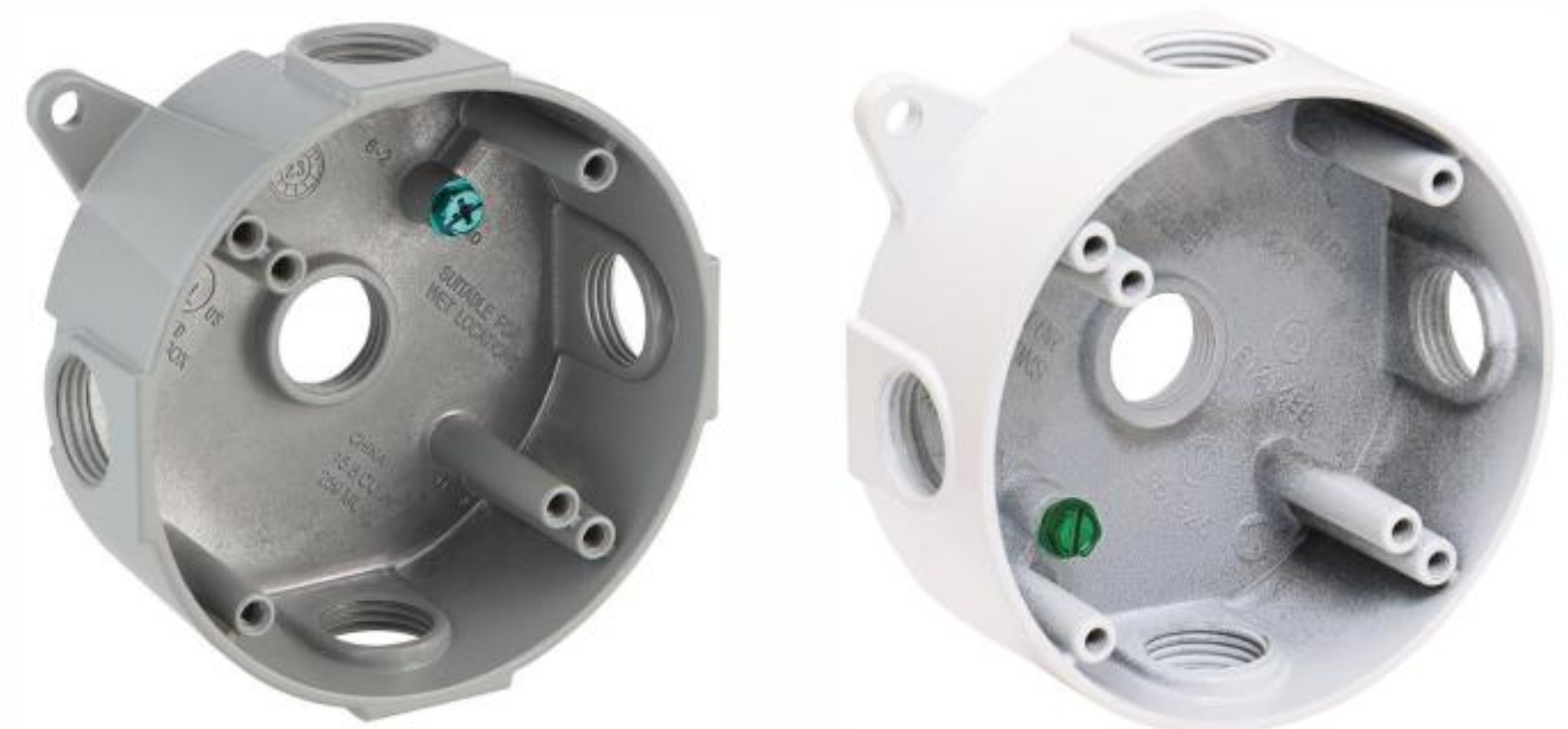


PART NO.	TRADE SIZE	COLOR	CUBIC INCHES (VOLUME)	DEPTH	OUTLETS	THREAD SIZE
IW177-G	3/4"	GRAY	55.0	2"	(7) 3/4"	3/4"-14 NPT
IW177-W	3/4"	WHITE	55.0	2"	(7) 3/4"	3/4"-14 NPT
IW117-G	1"	GRAY	55.0	2"	(7) 1"	1"-11-1/2 NPT
IW117-W	1"	WHITE	55.0	2"	(7) 1"	1"-11-1/2 NPT

Round Metallic Weatherproof Box

Application & Features :

- For use as a weatherproof junction box in damp or wet locations when combined with a weatherproof cover.
- Features an accessible wiring chamber that provides a convenient location to maintain or change a system, make splices, and pull conductors.
- Junction box to branch conduits
- Durable die-cast aluminum construction provides a long product life.
- 1/2" and 3/4" NPT threaded Outlets.
- Precision cast and machined surfaces allow safer wire-pulling.
- Mounting lugs for a variety of mounting methods.
- Available in gray and white



PART NO.	TRADE SIZE	COLOR	CUBIC INCHES (VOLUME)	DEPTH	OUTLETS	THREAD SIZE
IWR55-G	1/2"	GRAY	16.0	1-1/2"	(5) 1/2"	1/2"-14 NPT
IWR55-W	1/2"	WHITE	16.0	1-1/2"	(5) 1/2"	1/2"-14 NPT
IWR75-G	3/4"	GRAY	16.0	1-1/2"	(5) 3/4"	3/4"-14 NPT
IWR75-W	3/4"	WHITE	16.0	1-1/2"	(5) 3/4"	3/4"-14 NPT

Standards :

UL 514B, CSA 22.2 No. 18-3.12
Conduit, Tubing, & Cable Fittings

Certifications:

UL Listing - completed soon
Under Testing



Single Gang- Metallic Extension Ring

Application & Features :

- For use with single gang weatherproof box
- May be used to provide additional capacity for box fill requirements
- Rugged, seamless die-cast construction prevents moisture penetration.
- Powder coated for maximum corrosion resistance

PART NO.	COLOR	CUBIC INCHES (VOLUME)	DEPTH
IWE1-G	GRAY	9.5	1.00"
IWE1-W	WHITE	9.5	1.00"



Double Gang- Metallic Extension Ring

Application & Features :

- For use with Double gang weatherproof box
- May be used to provide additional capacity for box fill requirements
- Rugged, seamless die-cast construction prevents moisture penetration.
- Powder coated for maximum corrosion resistance

PART NO.	COLOR	CUBIC INCHES (VOLUME)	DEPTH
IWE2-G	GRAY	16.0	1.00"
IWE2-W	WHITE	16.0	1.00"



Single Gang- Metallic Extension Ring Flanged With Outlets

Application & Features :

- For use with Single gang weatherproof box
- May be used to provide additional capacity for box fill requirements
- Powder coated for maximum corrosion resistance

PART NO.	COLOR	CUBIC INCHES (VOLUME)	DEPTH	OUTLET
IWE12F-G	GRAY	12.5	1.50"	(4) 1/2"
IWE12F-W	WHITE	12.5	1.50"	(4) 1/2"
IWE34F-G	GRAY	12.5	1.50"	(4) 3/4"
IWE34F-W	WHITE	12.5	1.50"	(4) 3/4"



Standards :

UL 514B, CSA 22.2 No. 18-3.12
Conduit, Tubing, & Cable Fittings

Certifications:

UL Listing - completed soon
Under Testing



Round Extension Box 4 hole Threaded Outlets

Application & Features :

- For use with weatherproof round gang box
- Increased cubic capacity
- Durable die-cast aluminum construction provides a long product life.
- 1/2" NPT threaded Outlets
- Precision cast and machined surfaces allow safer wire-pulling.
- Available in gray and white.



PART NO.	COLOR	CUBIC INCHES (VOLUME)	DEPTH	OUTLETS
IWER12-G	GRAY	16.0	1.50"	(4) 1/2"
IWER12-W	WHITE	16.0	1.50"	(4) 1/2"
IWER34-G	GRAY	16.0	1.50"	(4) 3/4"
IWER34-W	WHITE	16.0	1.50"	(4) 3/4"

Round & Rectangular Cover (Lamp Holder)

Application & Features :

- For use with 4" round boxes
- For use with rectangular boxes
- Cluster covers provide easy means for mounting lampholders and/or accessories
- Rugged, seamless die-cast construction
- Powder coated for maximum corrosion resistance
- Includes installation hardware and gasket
- 2 closure plugs included with 2 and 3 holecluster covers



IWR312-G



IWCR312-G

PART NO.	COLOR	OUTLETS
IWCR212-G	GRAY	(2) 1/2"
IWCR212-W	WHITE	(2) 1/2"
IWCR312-G	GRAY	(3) 1/2"
IWCR312-W	WHITE	(3) 1/2"
IWR212-G	GRAY	(2) 1/2"
IWR212-W	WHITE	(2) 1/2"
IWR312-G	GRAY	(3) 1/2"
IWR312-W	WHITE	(3) 1/2"

Standards :

UL 514B, CSA 22.2 No. 18-3.12
Conduit, Tubing, & Cable Fittings

Certifications:

UL Listing - completed soon
Under Testing



Single Gang Device Covers

Application & Features :

- May be used to provide weatherproof protection for an outdoor receptacle
- Rugged, seamless die-cast construction prevents moisture penetration
- Self-closing lids provide weatherproof assurance when the receptacle is not in use
- Powder coated for maximum corrosion resistance
- Includes installation hardware and gasket
- Available in gray and white.

VERTICAL CONFIGURATION		
PART NO.	COLOR	RECEPTACLE
IC111-G	GRAY	Duplex
IC111-W	WHITE	Duplex
IC121-G	GRAY	GFCI
IC121-W	WHITE	GFCI
IC131-G	GRAY	Single Receptacle
IC131-W	WHITE	Single Receptacle
IC141-G	GRAY	Toggle Switch
IC141-W	WHITE	Toggle Switch
IC161-G	GRAY	2.125" Diameter Outlet
IC161-W	WHITE	2.125" Diameter Outlet
IC181-G	GRAY	1.425" Diameter Outlet
IC181-W	WHITE	1.425" Diameter Outlet
IC1M-G	GRAY	Duplex, GFCI, 1.410" Round
IC1M-W	WHITE	Duplex, GFCI, 1.410" Round



HORIZONTAL CONFIGURATION		
PART NO.	COLOR	RECEPTACLE
IC112-G	GRAY	Duplex
IC112-W	WHITE	Duplex
IC122-G	GRAY	GFCI
IC122-W	WHITE	GFCI
IC182-G	GRAY	1.425" Diameter Outlet
IC182-W	WHITE	1.425" Diameter Outlet
IC2M-G	GRAY	Duplex, GFCI, 1.410" Round
IC2M-W	WHITE	Duplex, GFCI, 1.410" Round



UNIVERSAL CONFIGURATION		
PART NO.	COLOR	RECEPTACLE
IC3M-G	GRAY	Duplex, GFCI, 1.410" Round
IC3M-W	WHITE	Duplex, GFCI, 1.410" Round



Standards :

UL 514B, CSA 22.2 No. 18-3.12
Conduit, Tubing, & Cable Fittings

Certifications:

UL Listing - completed soon
Under Testing



Double Gang Device Covers

Application & Features :

- May be used to provide weatherproof protection for an outdoor receptacle
- Rugged, seamless die-cast construction prevents moisture penetration
- Self-closing lids provide weatherproof assurance when the receptacle is not in use
- Powder coated for maximum corrosion resistance
- Includes installation hardware and gasket
- Available in gray and white.

TWO GANG FIXED CONFIGURATION		
PART NO.	COLOR	RECEPTACLE
IC211-G	GRAY	Two Duplex
IC211-W	WHITE	Two Duplex
IC222-G	GRAY	Two GFCI
IC222-W	WHITE	Two GFCI
IC221-G	GRAY	GFCI And Duplex
IC221-W	WHITE	GFCI And Duplex
IC210-G	GRAY	Oversized Single Duplex
IC210-W	WHITE	Oversized Single Duplex
IC231-G	GRAY	Duplex And 1.417" Diameter Round
IC232-G	GRAY	GFCI And 1.417" Diameter Round
IC233-G	GRAY	Tow 1.417" Diameter Round
IC233-W	WHITE	Tow 1.417" Diameter Round
IC241-G	GRAY	Duplex And Lever Switch
IC242-W	WHITE	GFCI And Lever Switch
IC244-G	GRAY	Two Lever Switch
IC255-G	GRAY	Two Switch Cover
IC255-W	WHITE	Two Switch Cover
IC291-G	GRAY	Single 2.125" Diameter Round
IC292-G	GRAY	Single 2.64" Diameter Round
IC293-G	GRAY	Single 1.75" Diameter Round



IC211-G



IC222-G



IC221-W



IC231-G



IC233-G



IC241-G



IC244-G



IC255-G



IMC2MM-G

TWO GANG MULTI-USE CONFIGURATION		
PART NO.	COLOR	RECEPTACLE
IMC251-G	GRAY	Switch and Duplex Cover
IMC252-W	WHITE	Switch and GFCI Cover
IMC2MM-G	GRAY	Duplex, GFCI, 1.410" Round
IMC2MM-W	WHITE	Duplex, GFCI, 1.410" Round

THREE GANG CONFIGURATION		
PART NO.	COLOR	RECEPTACLE
IC3444-G	GRAY	Three Lever Switches



IC3444-G

Standards :

UL 514B, CSA 22.2 No. 18-3.12
Conduit, Tubing, & Cable Fittings

Certifications:

UL Listing - completed soon
Under Testing

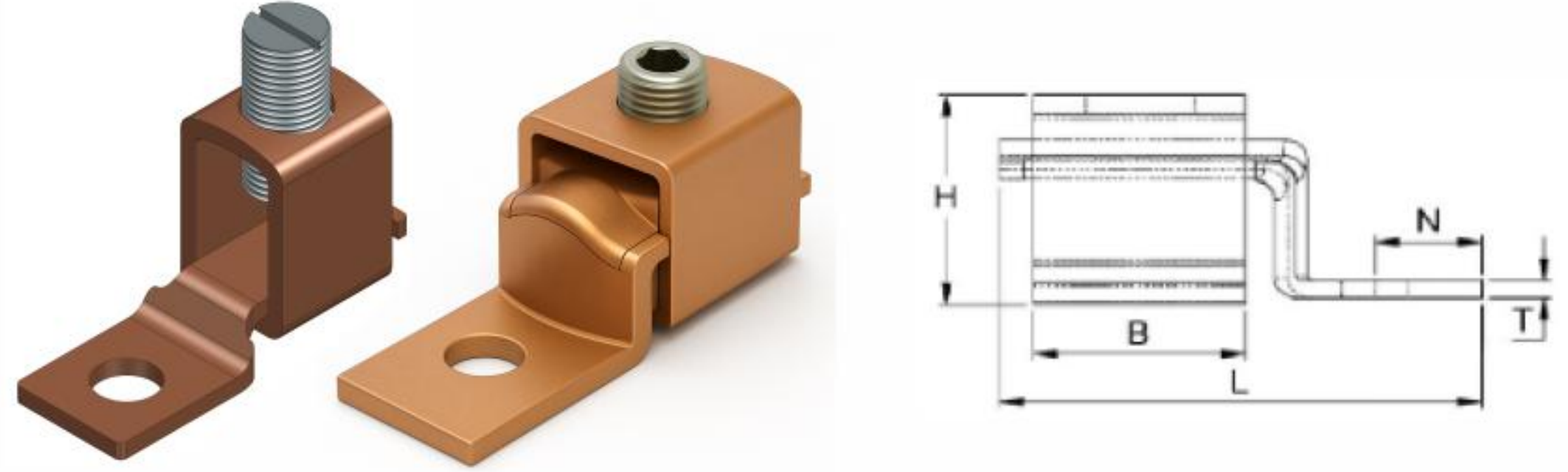


MECHANICAL COPPER LUGS

Copper, Offset Tang Lug, Single Conductor

Application & Features :

- Copper mechanical offset lug used to terminate cables to secure a single copper conductor to a busbar, stud, distribution boards or equipment terminal using a screw-type mechanical connection.
- Rated for copper conductor only.
- One hole mount application.
- Offset design helps fit in limited space.
- Material : High-strength copper alloy.
- Reusable mechanical connection.



PART NUMBER	WIRE RANGE		STUD HOLE SIZE	SCREW THREAD SIZE	SCREW HEAD TYPE/SIZE	DIMENSIONS (IN.)				
	MIN.	MAX.				L	B	H	N	T
IUL-25	14 AWG	10 AWG	#6	#10-32 UNF	SLOT	1.02	0.29	0.37	0.31	0.08
IUL-35	14 AWG	6 AWG	#10	1/4-28 UNF	SLOT	1.24	0.43	0.49	0.39	0.08
IUL-45	14 AWG	4 AWG	1/4	5/16-24 UNF	SLOT	1.55	0.50	0.65	0.47	0.08
IUL-70	8 AWG	2 AWG	1/4	5/16-24 UNF	SLOT	1.55	0.50	0.65	0.47	0.08
IUL-125	6 AWG	1/0 AWG	1/4	3/8-24 UNF	3/16 HEX	1.98	0.61	0.87	0.62	0.12
IUL-175	4 AWG	3/0 AWG	3/8	3/8-24 UNF	3/16 HEX	2.20	0.75	1.05	0.75	0.12
IUL-225	2 AWG	4/0 AWG	3/8	3/8-24 UNF	3/16 HEX	2.55	1.00	1.15	0.99	0.12
IUL-300	1/0 AWG	350 MCM	3/8	5/8-18 UNF	5/16 HEX	2.84	1.20	1.40	0.99	0.12
IUL-400	1/0 AWG	500 MCM	3/8	3/4-16 UNF	3/8 HEX	4.10	1.48	1.62	1.50	0.20
IUL-650	500 MCM	1000 MCM	1/2	1-12 UNF	1/2 HEX	4.62	1.88	2.34	2.00	0.24

Copper, Straight Tang Lug, Single Conductor



PART NUMBER	WIRE RANGE		STUD HOLE SIZE	SCREW THREAD SIZE	SCREW HEAD TYPE/SIZE	DIMENSIONS (IN.)			
	MIN.	MAX.				B	H	N	T
IUL2-25	14 AWG	10 AWG	#6	#10-32 UNF	SLOT	0.29	0.37	0.31	0.08
IUL2-35	14 AWG	6 AWG	#10	1/4-28 UNF	SLOT	0.43	0.49	0.39	0.08
IUL2-45	14 AWG	4 AWG	1/4	5/16-24 UNF	SLOT	0.50	0.65	0.47	0.08
IUL2-70	8 AWG	2 AWG	1/4	5/16-24 UNF	SLOT	0.50	0.65	0.47	0.08
IUL2-125	6 AWG	1/0 AWG	1/4	3/8-24 UNF	3/16 HEX	0.61	0.87	0.62	0.12
IUL2-175	4 AWG	3/0 AWG	3/8	3/8-24 UNF	3/16 HEX	0.75	1.05	0.75	0.12
IUL2-225	2 AWG	4/0 AWG	3/8	3/8-24 UNF	3/16 HEX	1.00	1.15	0.99	0.12
IUL2-300	1/0 AWG	350 MCM	3/8	5/8-18 UNF	5/16 HEX	1.20	1.40	0.99	0.12
IUL2-400	1/0 AWG	500 MCM	3/8	3/4-16 UNF	3/8 HEX	1.48	1.62	1.50	0.20
IUL2-650	500 MCM	1000 MCM	1/2	1-12 UNF	1/2 HEX	1.88	2.34	2.00	0.24

Electrical Rating :

- Voltage Rating : 600 V
- Maximum Circuit Rating: 35 kV
- Temperature Rating : 90° C

Standards :

UL 486A-486B
CSA C22.2 No.65
Wire Connectors

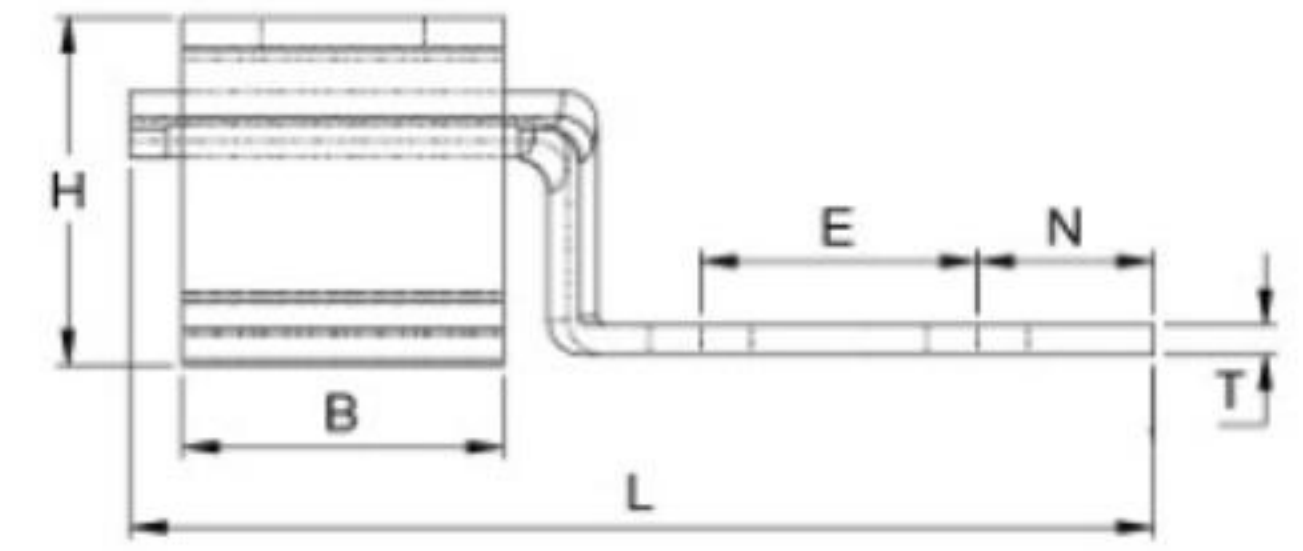
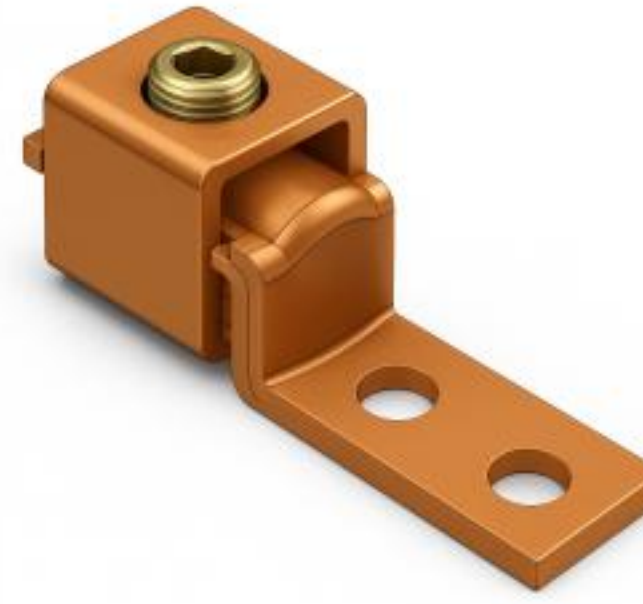
Certifications :



Copper, Offset Tang Lug, Single Conductor

Application & Features :

- Copper mechanical offset lug used to terminate cables to secure a single copper conductor to a busbar, stud, distribution boards or equipment terminal using a screw-type mechanical connection.
- Rated for copper conductor only.
- Two hole mount application.
- Offset design helps fit in limited space.
- Material : High-strength copper alloy.
- Reusable mechanical connection.



PART NUMBER	WIRE RANGE		STUD HOLE SIZE	SCREW THREAD SIZE	SCREW HEAD TYPE/SIZE	DIMENSIONS (IN.)				
	MIN.	MAX.				L	B	H	N	T
IFT-25	14 AWG	10 AWG	#6	#10-32 UNF	SLOT	1.02	0.29	0.37	0.31	0.08
IFT-35	14 AWG	6 AWG	#10	1/4-28 UNF	SLOT	1.24	0.43	0.49	0.39	0.08
IFT-45	14 AWG	4 AWG	1/4	5/16-24 UNF	SLOT	1.55	0.50	0.65	0.47	0.08
IFT-70	8 AWG	2 AWG	1/4	5/16-24 UNF	SLOT	1.55	0.50	0.65	0.47	0.08
IFT-125	6 AWG	1/0 AWG	1/4	3/8-24 UNF	3/16 HEX	1.98	0.61	0.87	0.62	0.12
IFT-175	4 AWG	3/0 AWG	3/8	3/8-24 UNF	3/16 HEX	2.20	0.75	1.05	0.75	0.12
IFT-225	2 AWG	4/0 AWG	3/8	3/8-24 UNF	3/16 HEX	2.55	1.00	1.15	0.99	0.12
IFT-300	1/0 AWG	350 MCM	3/8	5/8-18 UNF	5/16 HEX	2.84	1.20	1.40	0.99	0.12
IFT-400	1/0 AWG	500 MCM	3/8	3/4-16 UNF	3/8 HEX	4.10	1.48	1.62	1.50	0.20
IFT-650	500 MCM	1000 MCM	1/2	1-12 UNF	1/2 HEX	4.62	1.88	2.34	2.00	0.24

Copper, Straight Tang Lug, Single Conductor



PART NUMBER	WIRE RANGE		STUD HOLE SIZE	SCREW THREAD SIZE	SCREW HEAD TYPE/SIZE	DIMENSIONS (IN.)			
	MIN.	MAX.				B	H	N	T
IFT2-25	14 AWG	10 AWG	#6	#10-32 UNF	SLOT	0.29	0.37	0.31	0.08
IFT2-35	14 AWG	6 AWG	#10	1/4-28 UNF	SLOT	0.43	0.49	0.39	0.08
IFT2-45	14 AWG	4 AWG	1/4	5/16-24 UNF	SLOT	0.50	0.65	0.47	0.08
IFT2-70	8 AWG	2 AWG	1/4	5/16-24 UNF	SLOT	0.50	0.65	0.47	0.08
IFT2-125	6 AWG	1/0 AWG	1/4	3/8-24 UNF	3/16 HEX	0.61	0.87	0.62	0.12
IFT2-175	4 AWG	3/0 AWG	3/8	3/8-24 UNF	3/16 HEX	0.75	1.05	0.75	0.12
IFT2-225	2 AWG	4/0 AWG	3/8	3/8-24 UNF	3/16 HEX	1.00	1.15	0.99	0.12
IFT2-300	1/0 AWG	350 MCM	3/8	5/8-18 UNF	5/16 HEX	1.20	1.40	0.99	0.12
IFT2-400	1/0 AWG	500 MCM	3/8	3/4-16 UNF	3/8 HEX	1.48	1.62	1.50	0.20
IFT2-650	500 MCM	1000 MCM	1/2	1-12 UNF	1/2 HEX	1.88	2.34	2.00	0.24

Electrical Rating :

- Voltage Rating : 600 V
- Maximum Circuit Rating: 35 kV
- Temperature Rating : 90° C

Standards :

UL 486A-486B
CSA C22.2 No.65
Wire Connectors

Certifications :



Single Barrel One Hole Mount Dual Rated (AL9CU)

Application & Features :

- Used to terminate a single copper or aluminum conductors onto a stud, busbar, or equipment terminal.
- Manufactured from high strength aluminum alloy.
- Electro-Tin plated for corrosion resistance.
- Provides low contact resistance.
- Provides ease of installation.
- Suitable for large conductors up to 1000 MCM.



PART NUMBER	WIRE RANGE		STUD HOLE SIZE	DIMENSIONS IN INCH						
	MIN.	MAX.		D	T	L	H	W	N	E
ILA-6	14 AWG	6 AWG	1/4	0.63	0.09	1.16	0.56	0.50	0.30	-
ILA-4	14 AWG	4 AWG	1/4	0.63	0.09	1.16	0.56	0.50	0.30	-
ILA-2	14 AWG	2 AWG	1/4	0.63	0.09	1.16	0.56	0.50	0.30	-
ILA-10	14 AWG	1/0 AWG	1/4	0.81	0.19	1.50	0.80	0.63	0.45	-
ILA-20	14 AWG	2/0 AWG	1/4	0.81	0.19	1.50	0.80	0.63	0.45	-
ILA-30	6 AWG	3/0 AWG	1/4	0.94	0.25	2.00	0.90	0.70	0.50	-
ILA-40	6 AWG	4/0 AWG	5/16	0.94	0.25	2.00	1.20	1.00	0.50	-
ILA-250	6 AWG	250 MCM	5/16	0.94	0.25	2.00	1.20	1.00	0.50	-
ILA-300	6 AWG	300 MCM	5/16	0.94	0.25	2.00	1.20	1.00	0.50	-
ILA-350	6 AWG	350 MCM	5/16	0.94	0.25	2.00	1.20	1.13	0.50	-
ILA-500	4 AWG	500 MCM	3/8	1.50	0.33	3.00	1.58	1.50	0.96	-
ILA-600	2 AWG	600 MCM	3/8	1.50	0.33	3.00	1.58	1.50	0.96	-
ILA-800	300 MCM	800 MCM	1/2	1.69	0.50	3.50	1.95	1.75	0.88	-
ILA-1000	500 MCM	1000 MCM	1/2	1.69	0.50	3.50	1.95	1.75	0.88	-

Electrical Rating :

- Voltage Rating : 600 V
- Maximum Circuit Rating: 35 kV
- Temperature Rating : 90° C

Standards :

UL 486A-486B
CSA C22.2 No.65
Wire Connectors

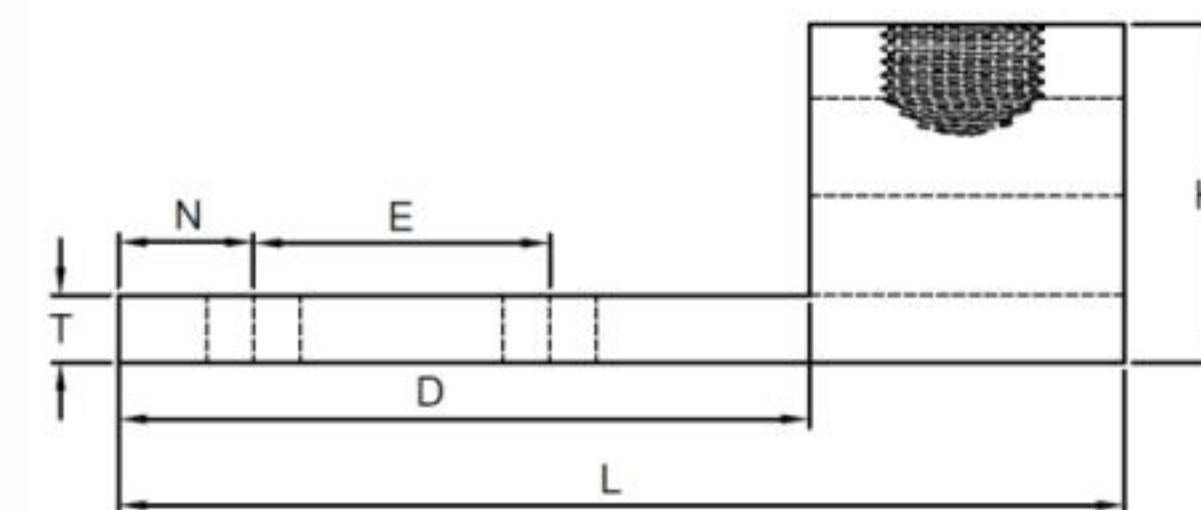
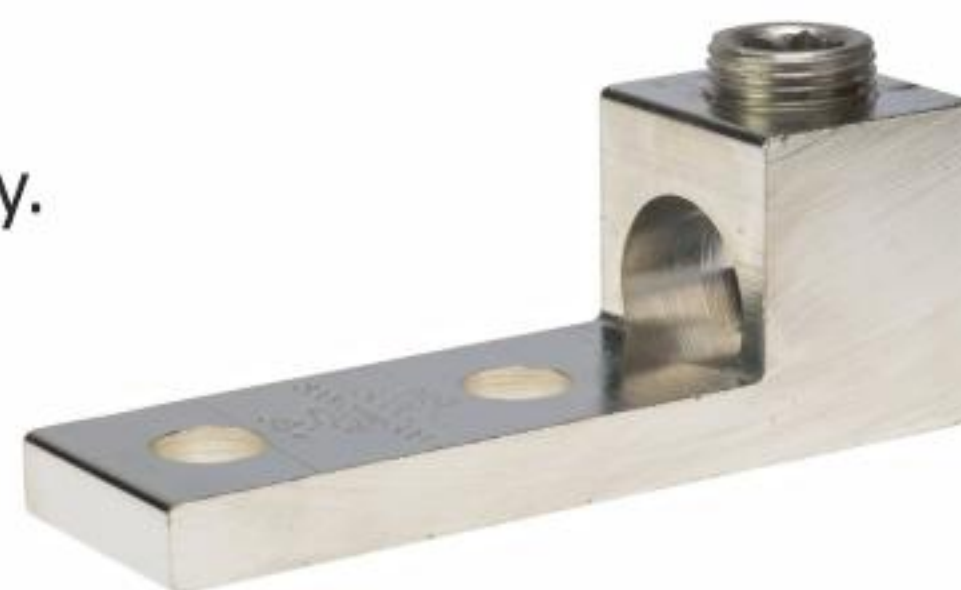
Certifications :



Single Barrel Two Stud Hole Mount Dual Rated (AL9CU)

Application & Features :

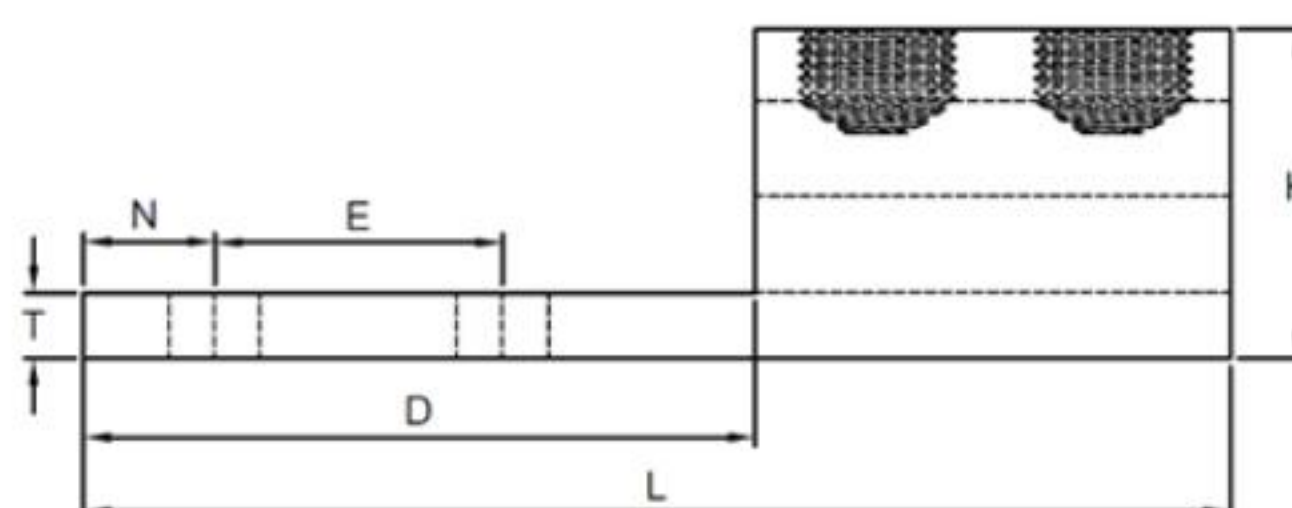
- Used to terminate a single copper or aluminum conductors onto a stud, busbar, or equipment terminal.
- Manufactured from high strength aluminum alloy.
- Electro-Tin plated for corrosion resistance.
- Provides low contact resistance.
- Provides ease of installation.
- Suitable for large conductors up to 1000 MCM.



PART NUMBER	WIRE RANGE		STUD HOLE SIZE	DIMENSIONS IN INCH						
	MIN.	MAX.		D	T	L	H	W	N	E
IL1LA-40	6 AWG	4/0 MCM	1/2	3.09	0.31	4.31	1.20	1.00	0.63	1.75
IL1LA-250	6 AWG	250 MCM	1/2	3.09	0.31	4.31	1.20	1.00	0.63	1.75
IL1LA-300	6 AWG	300 MCM	1/2	3.09	0.31	4.31	1.20	1.00	0.63	1.75
IL1LA-350*	6 AWG	350 MCM	1/2	3.09	0.31	4.31	1.20	1.13	0.63	1.75
IL1LA-500*	4 AWG	500 MCM	1/2	3.22	0.44	4.69	1.58	1.50	0.63	1.75
IL1LA-600*	2 AWG	600 MCM	1/2	3.22	0.44	4.69	1.58	1.50	0.63	1.75
IL1LA-800*	300 MCM	800 MCM	1/2	3.03	0.50	4.75	1.95	1.75	0.63	1.75
IL1LA-1000*	500 MCM	1000 MCM	1/2	3.03	0.50	4.75	1.95	1.75	0.63	1.75

* cULus Certification inProcess

Single Barrel Two Screw Two Stud Hole Mount Dual Rated (AL9CU)



PART NUMBER	WIRE RANGE		STUD HOLE SIZE	DIMENSIONS IN INCH						
	MIN.	MAX.		D	T	L	H	W	N	E
IL12A-300	6 AWG	300 MCM	1/2	3.25	0.38	5.50	1.20	1.00	0.63	1.75
IL12A-350*	6 AWG	350 MCM	1/2	3.25	0.38	5.50	1.20	1.13	0.63	1.75
IL12A-500*	4 AWG	500 MCM	1/2	3.25	0.38	5.50	1.58	1.50	0.63	1.75
IL12A-600*	2 AWG	600 MCM	1/2	3.25	0.38	5.50	1.58	1.50	0.63	1.75
IL12A-800*	300 MCM	800 MCM	1/2	3.63	0.50	6.19	1.95	1.75	0.63	1.75
IL12A-1000*	500 MCM	1000 MCM	1/2	3.63	0.50	6.19	1.95	1.75	0.63	1.75

* cULus Certification inProcess

Electrical Rating :

- Voltage Rating : 600 V
- Maximum Circuit Rating: 35 kV
- Temperature Rating : 90° C

Standards :

UL 486A-486B
CSA C22.2 No.65
Wire Connectors

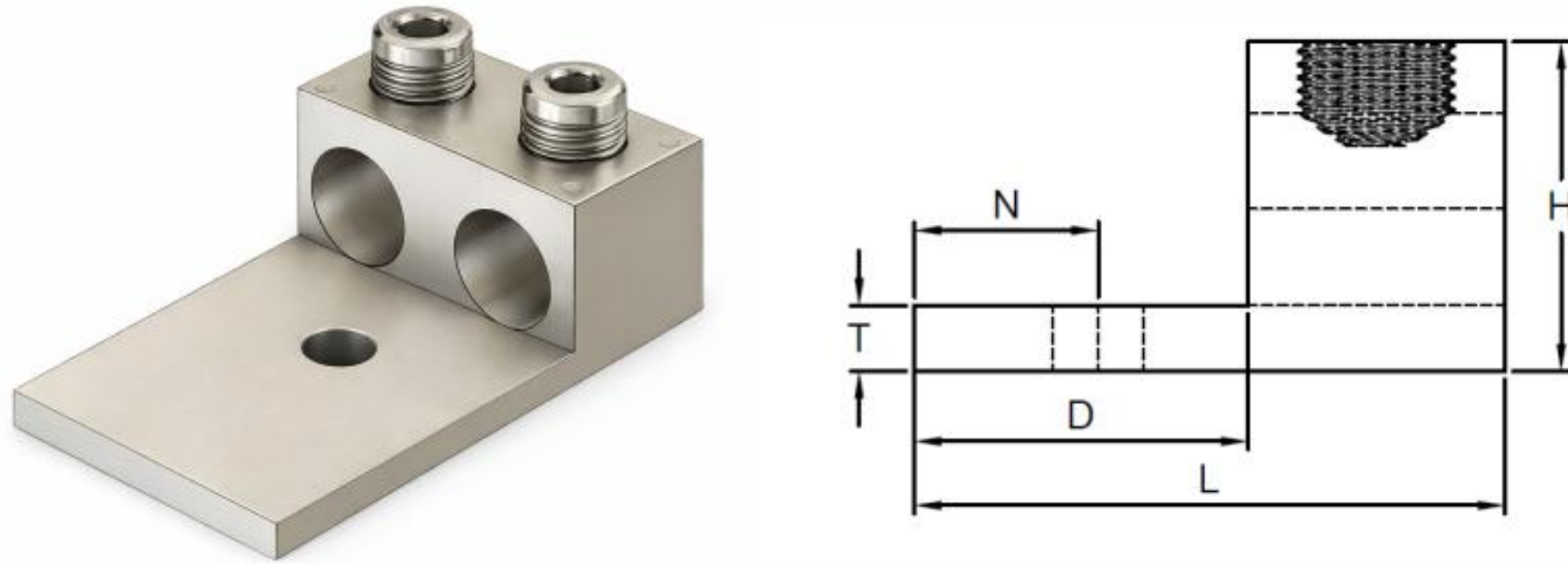
Certifications :



Two Barrel One Stud Hole Mount Dual Rated (AL9CU)

Application & Features :

- Used to terminate a two copper or aluminum conductors onto a stud, busbar, or equipment terminal.
- Manufactured from high strength aluminum alloy.
- Electro-Tin plated for corrosion resistance.
- Provides low contact resistance.
- Provides ease of installation.
- Suitable for large conductors up to 1000 MCM.



PART NUMBER	WIRE RANGE		STUD HOLE SIZE	DIMENSIONS IN INCH						
	MIN.	MAX.		D	T	L	H	W	N	E
IL2A-10	14 AWG	1/0 AWG	1/4	0.81	0.19	1.50	0.80	1.25	0.45	-
IL2A-20	14 AWG	2/0 AWG	1/4	0.81	0.19	1.50	0.80	1.25	0.45	-
IL2A-30	6 AWG	3/0 AWG	1/4	0.81	0.19	1.50	0.80	1.40	0.45	-
IL2A-40	6 AWG	4/0 AWG	3/8	1.50	0.25	2.56	1.20	1.66	0.50	-
IL2A-250	6 AWG	250 MCM	3/8	1.50	0.25	2.56	1.20	1.66	0.50	-
IL2A-300	6 AWG	300 MCM	3/8	1.50	0.25	2.56	1.20	1.66	0.50	-
IL2A-350	6 AWG	350 MCM	3/8	1.50	0.25	2.56	1.20	2.31	0.50	-
IL2A-500	4 AWG	500 MCM	1/2	1.72	0.44	3.20	1.58	2.41	0.88	-
IL2A-600	2 AWG	600 MCM	1/2	1.72	0.44	3.20	1.58	2.41	0.88	-
IL2A-800	300 MCM	800 MCM	5/8	1.69	0.50	3.50	1.95	3.19	0.88	-
IL2A-1000	500 MCM	1000 MCM	5/8	1.69	0.50	3.50	1.95	3.50	0.88	-

Electrical Rating :

- Voltage Rating : 600 V
- Maximum Circuit Rating: 35 kV
- Temperature Rating : 90° C

Standards :

UL 486A-486B
CSA C22.2 No.65
Wire Connectors

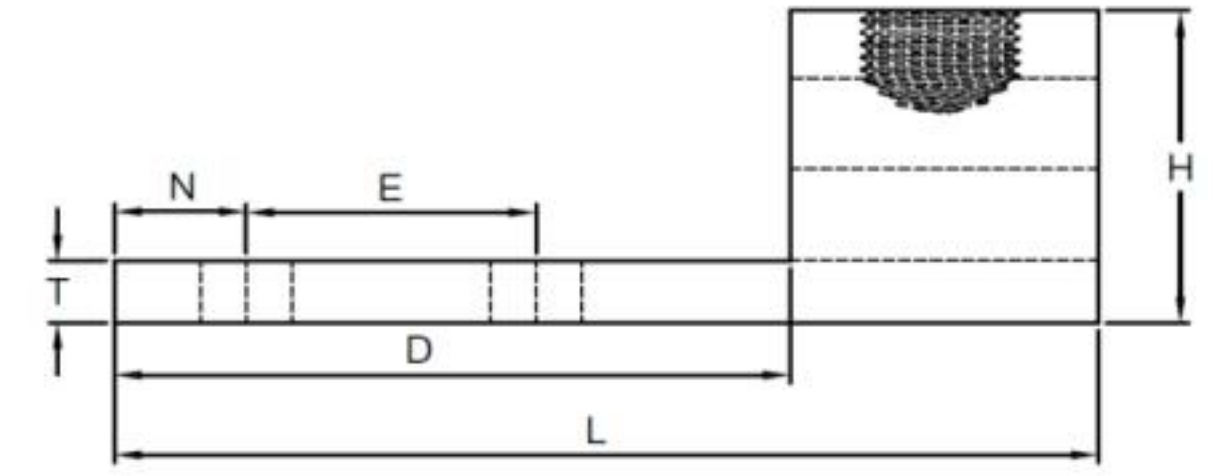
Certifications :



Two Barrel Two Stud Hole Mount Dual Rated (AL9CU)

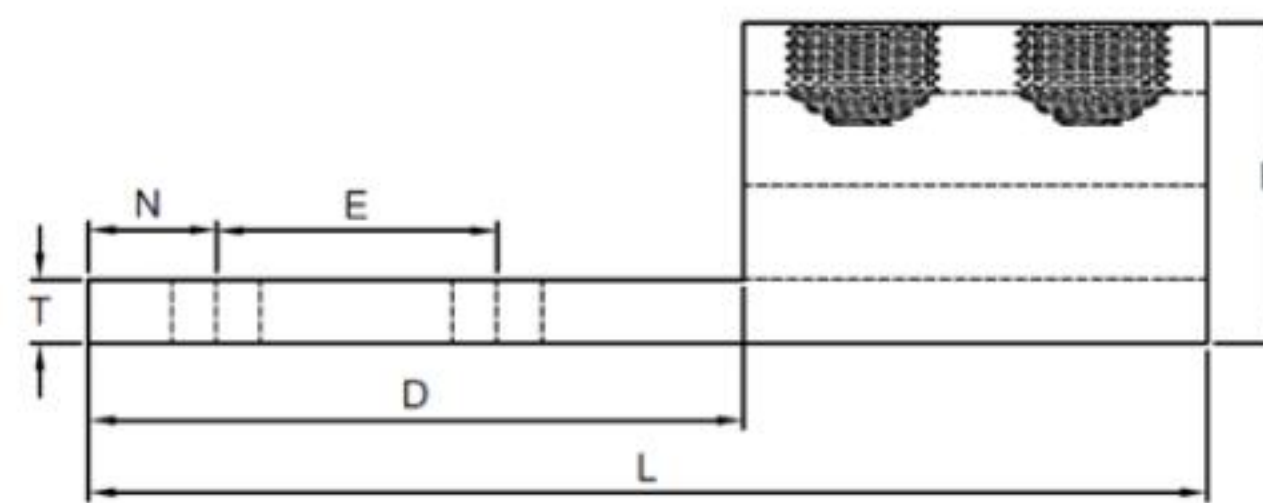
Application & Features :

- Used to terminate a two copper or aluminum conductors onto a stud, busbar, or equipment terminal.
- Manufactured from high strength aluminum alloy.
- Electro-Tin plated for corrosion resistance.
- Provides low contact resistance.
- Provides ease of installation.
- Suitable for large conductors up to 1000 MCM.



PART NUMBER	WIRE RANGE		STUD HOLE SIZE	DIMENSIONS IN INCH						
	MIN.	MAX.		D	T	L	H	W	N	E
IL2LA-40	6 AWG	4/0 AWG	1/2	3.09	0.31	4.31	1.20	1.66	0.63	1.75
IL2LA-250	6 AWG	250 MCM	1/2	3.09	0.31	4.31	1.20	1.66	0.63	1.75
IL2LA-300	6 AWG	300 MCM	1/2	3.09	0.31	4.31	1.20	1.66	0.63	1.75
IL2LA-300	6 AWG	350 MCM	1/2	3.09	0.31	4.31	1.20	2.31	0.63	1.75
IL2LA-500	4 AWG	500 MCM	1/2	3.22	0.44	4.69	1.58	2.41	0.63	1.75
IL2LA-600	2 AWG	600 MCM	1/2	3.22	0.44	4.69	1.58	2.41	0.63	1.75
IL2LA-800	300 MCM	800 MCM	1/2	3.03	0.50	4.75	1.95	3.19	0.63	1.75
IL2LA-1000	500 MCM	1000 MCM	1/2	3.03	0.50	4.75	1.95	3.50	0.63	1.75

Two Barrel, Four Screw, Two Stud Hole Mount Dual Rated (AL9CU)



PART NUMBER	WIRE RANGE		STUD HOLE SIZE	DIMENSIONS IN INCH						
	MIN.	MAX.		D	T	L	H	W	N	E
IL24A-300	6 AWG	300 MCM	1/2	3.25	0.38	5.50	1.20	1.66	0.63	1.75
IL24A-350	6 AWG	350 MCM	1/2	3.25	0.38	5.50	1.20	2.31	0.63	1.75
IL24A-500	4 AWG	500 MCM	1/2	3.25	0.38	5.50	1.58	2.41	0.63	1.75
IL24A-600	2 AWG	600 MCM	1/2	3.25	0.38	5.50	1.58	2.41	0.63	1.75
IL24A-800	300 MCM	800 MCM	1/2	3.63	0.50	6.19	1.95	3.19	0.63	1.75
IL24A-1000	500 MCM	1000 MCM	1/2	3.63	0.50	6.19	1.95	3.50	0.63	1.75

Electrical Rating :

- Voltage Rating : 600 V
- Maximum Circuit Rating: 35 kV
- Temperature Rating : 90° C

Standards :

UL 486A-486B
CSA C22.2 No.65
Wire Connectors

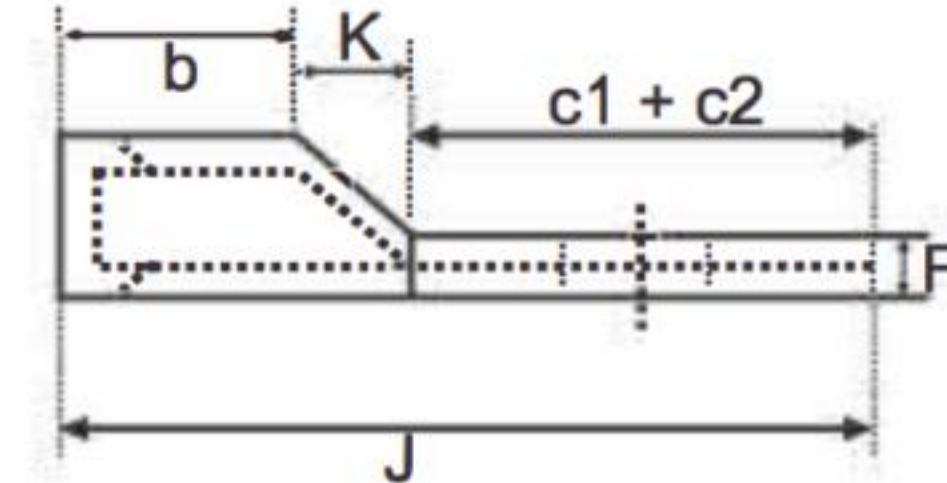
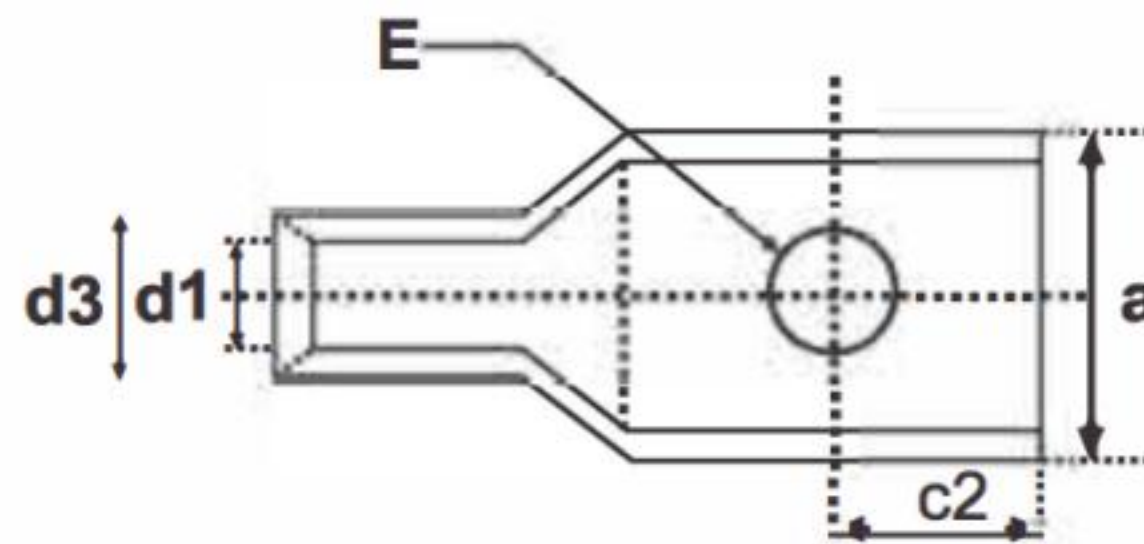
Certifications :



Copper Compression Lugs-short Barrel, One Holes

Application & Features :

- Used for reliable electrical connections.
- High conductivity seamless copper.
- Manufactured from high strength seamless copper tubing.
- Color coded die index and crimp marks.
- Electro-TiIn plated for corrosion resistance.



PART NUMBER	WIRE SIZE	BOLT/STUD SIZE (E)	COLOUR CODE	DIMENSIONS (IN.)						
				a	b	F	J	d1	c2	c1 + c2
IRCA-8	# 8	#10	RED	0.42	0.49	0.08	1.28	0.17	0.28	0.59
IRCA-8-14		1/4	RED	0.42	0.49	0.08	1.28	0.17	0.28	0.59
IRCA-6	# 6	#10	BLUE	0.42	0.71	0.08	1.50	0.20	0.30	0.67
IRCA-6-14		1/4	BLUE	0.42	0.71	0.08	1.50	0.20	0.30	0.67
IRCA-6-516		5/16	BLUE	0.49	0.71	0.07	1.50	0.20	0.30	0.67
IRCA-4	# 4	#10	GREY	0.49	0.71	0.08	1.50	0.25	0.30	0.67
IRCA-4-14		1/4	GREY	0.49	0.71	0.08	1.50	0.25	0.30	0.67
IRCA-4-516		5/16	GREY	0.49	0.71	0.08	1.50	0.25	0.31	0.67
IRCA-4-38		3/8	GREY	0.59	0.71	0.07	1.50	0.25	0.31	0.67
IRCA-4-316		3/16	GREY	0.49	0.71	0.09	1.50	0.25	0.31	0.67
IRCA-2	# 2	1/4	BROWN	0.60	0.83	0.10	1.80	0.31	0.37	0.81
IRCA-2-516		5/16	BROWN	0.60	0.83	0.00	1.80	0.31	0.37	0.81
IRCA-2-38		3/8	BROWN	0.60	0.83	0.00	1.80	0.31	0.37	0.81
IRCA-1-14	# 1	1/4	GREEN	0.67	0.83	0.11	1.83	0.36	0.37	0.81
IRCA-1		5/16	GREEN	0.67	0.83	0.11	1.83	0.36	0.37	0.81
IRCA-1-38		3/8	GREEN	0.67	0.83	0.11	1.83	0.36	0.39	0.81
IRCA-0-14	1/0 AWG	1/4	PINK	0.77	0.83	0.13	1.83	0.39	0.37	0.81
IRCA-0		5/16	PINK	0.77	0.83	0.13	1.83	0.39	0.37	0.81
IRCA-0--38		3/8	PINK	0.77	0.83	0.13	1.83	0.39	0.37	0.81
IRCA-0-12		1/2	PINK	0.77	0.83	0.13	1.83	0.39	0.37	0.81
IRCA-2/-14	2/0 AWG	1/4	BLACK	0.81	0.94	0.12	2.24	0.44	0.47	1.06
IRCA-2/0		5/16	BLACK	0.81	0.94	0.12	2.24	0.44	0.47	1.06
IRCA-2/0-38		3/8	BLACK	0.81	0.94	0.12	2.24	0.44	0.47	1.06
IRCA-2/0-12		1/2	BLACK	0.81	0.94	0.12	2.24	0.44	0.47	1.06

Electrical Rating :

- Voltage Rating : 600 V
- Maximum Circuit Rating: 35 kV
- Temperature Rating : 90° C

Standards :

UL 486A-486B
CSA C22.2 No.65
Wire Connectors

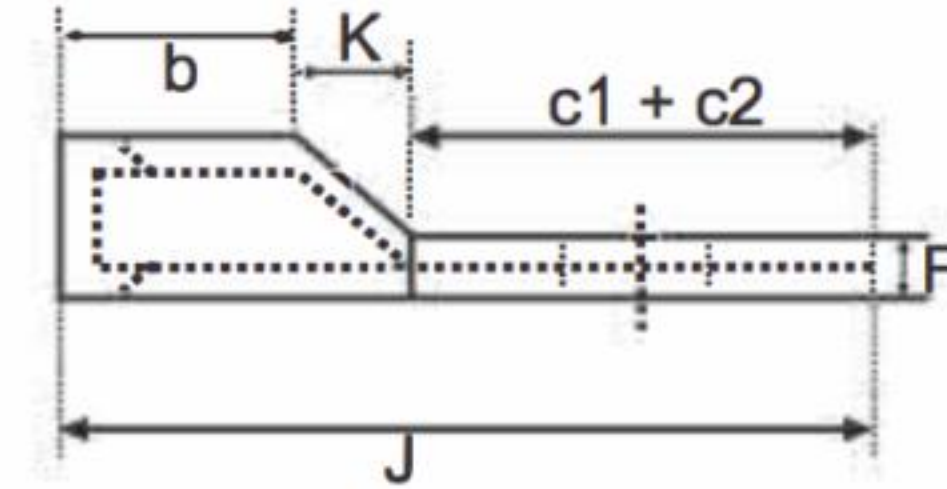
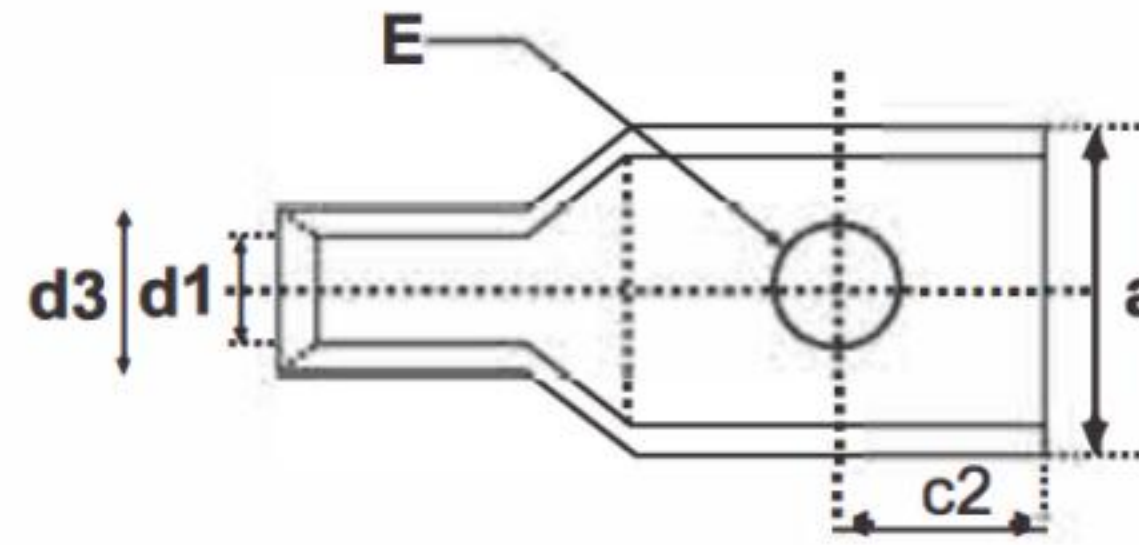
Certifications :



Copper Compression Lugs-short Barrel, One Holes

Application & Features :

- Used for reliable electrical connections.
- High conductivity seamless copper.
- Manufactured from high strength seamless copper tubing.
- Color coded die index and crimp marks.
- Electro-TiIn plated for corrosion resistance.



PART NUMBER	WIRE SIZE	BOLT/STUD SIZE (E)	COLOUR CODE	DIMENSIONS (IN.)						
				a	b	F	J	d1	c2	c1 + c2
IRCA-3/0-14	3/0 AWG	1/4	ORANGE	0.90	0.98	0.13	2.36	0.49	0.47	1.06
IRCA-3/0		5/16	ORANGE	0.90	0.98	0.13	2.36	0.49	0.47	1.06
IRCA-3/0-38		3/8	ORANGE	0.90	0.98	0.13	2.36	0.49	0.47	1.06
IRCA-3/0-12		1/2	ORANGE	0.90	0.98	0.13	2.36	0.49	0.47	1.06
IRCA-4/0-14	4/0 AWG	1/4	PURPLE	1.00	0.98	0.13	2.36	0.55	0.47	1.06
IRCA-4/0		5/16	PURPLE	1.00	0.98	0.13	2.36	0.55	0.47	1.06
IRCA-4/0-38		3/8	PURPLE	1.00	0.98	0.13	2.36	0.55	0.47	1.06
IRCA-4/0-12		1/2	PURPLE	1.00	0.98	0.13	2.36	0.55	0.47	1.06
IRCA-250-38	250 MCM	3/8	YELLOW	1.09	1.06	0.15	2.48	0.59	0.47	1.06
IRCA-250		1/2	YELLOW	1.09	1.06	0.15	2.48	0.59	0.47	1.06
IRCA-300	300 MCM	1/2	WHITE	1.19	1.06	0.15	2.48	0.66	0.52	1.06
IRCA-300-58		5/8	WHITE	1.19	1.06	0.15	2.80	0.66	0.52	1.38
IRCA-350	350 MCM	1/2	RED	1.28	1.10	0.17	2.60	0.70	0.52	1.06
IRCA-350-58		5/8	RED	1.28	1.10	0.17	2.91	0.70	0.52	1.38
IRCA-400-12	400 MCM	1/2	BLUE	1.39	1.18	0.18	3.79	0.76	0.52	1.38
IRCA-400		5/8	BLUE	1.39	1.18	0.18	3.79	0.76	0.52	1.38
IRCA-500-12	500 MCM	1/2	BROWN	1.54	1.38	0.22	3.28	0.83	0.52	1.38
IRCA-500		5/8	BROWN	1.54	1.38	0.22	3.28	0.83	0.52	1.38
IRCA-600-12	600 MCM	1/2	GREEN	1.72	1.50	0.25	3.54	0.93	0.52	1.46
IRCA-600		5/8	GREEN	1.72	1.50	0.25	3.43	0.93	0.52	1.46
IRCA-750	750 MCM	5/8	BLACK	1.90	1.85	0.27	4.38	1.03	0.69	1.85

Electrical Rating :

- Voltage Rating : 600 V
- Maximum Circuit Rating: 35 kV
- Temperature Rating : 90° C

Standards :

UL 486A-486B
CSA C22.2 No.65
Wire Connectors

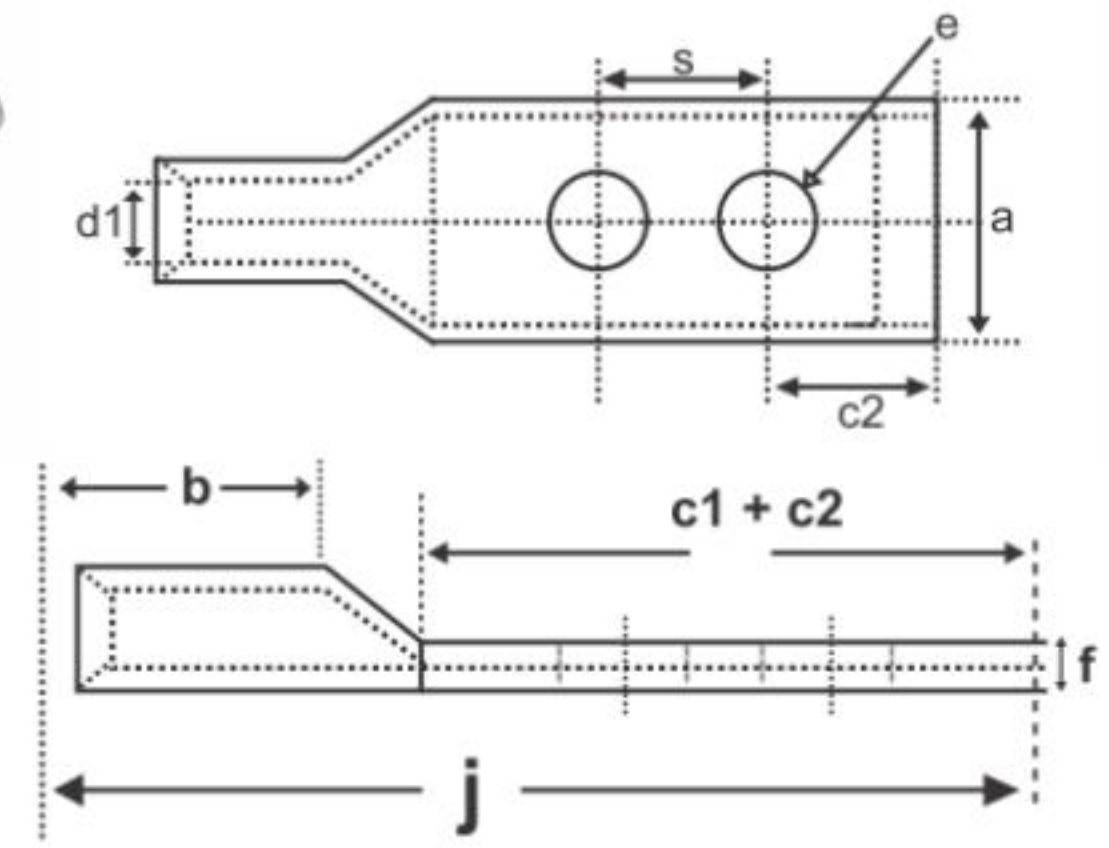
Certifications :



Copper Compression Lugs-short Barrel, Two Holes

Application & Features :

- Used for reliable electrical connections.
- High conductivity seamless copper.
- Manufactured from high strength seamless copper tubing.
- Color coded die index and crimp marks.
- Electro-TiIn plated for corrosion resistance.



PART NUMBER	WIRE SIZE	BOLT/STUD SIZE (E)	COLOUR CODE	DIMENSIONS (IN.)							
				a	b	f	j	d1	c2	c1 + c2	s
IS-8L2	# 8	10	RED	0.17	0.44	0.08	1.82	0.42	0.27	1.26	0.63
IS-6L2	# 6	1/4	BLUE	0.20	0.71	0.08	2.09	0.42	0.30	1.26	0.63
IS-6-14L2		1/4	BLUE	0.20	0.71	0.08	2.64	0.42	0.30	1.81	1.0
IS-6-38L2		3/8	BLUE	0.20	0.71	0.08	2.64	0.57	0.30	1.81	1.0
IS-4L2	# 4	1/4	GREY	0.25	0.71	0.09	2.09	0.49	0.34	1.26	0.63
IS-4-14L2		1/4	GREY	0.25	0.75	0.09	2.68	0.49	0.34	1.81	1.0
IS-4-38L2		3/8	GREY	0.25	0.75	0.08	2.68	0.57	0.34	1.81	1.0
IS-2L2	# 2	5/16	BROWN	0.31	0.83	0.10	2.62	0.60	0.42	1.61	0.75
IS-214L2		1/4	BROWN	0.31	0.83	0.10	2.28	0.60	0.42	1.26	0.63
IS-2-38L2		3/8	BROWN	0.31	0.83	0.10	2.83	0.60	0.42	1.81	1.0
IS-2-14L2-75		1/4	BROWN	0.31	0.83	0.10	2.36	0.60	0.42	1.38	0.75
IS-2-14L2-1		1/4	BROWN	0.31	0.83	0.10	2.80	0.60	0.42	1.81	1.0
IS-1L2	# 1	1/4	GREEN	0.36	0.83	0.11	2.28	0.67	0.47	1.26	0.63
IS-1/0L2	1/0 AWG	5/16	PINK	0.39	0.83	0.13	2.64	0.74	0.52	1.62	0.87
IS-1/0-38L2		3/8	PINK	0.39	0.83	0.13	2.83	0.74	0.52	1.81	1.0
IS-2/0L2	2/0 AWG	3/8	BLACK	0.44	0.94	0.12	2.99	0.81	0.56	1.81	1.0
IS-2/0-12L2		1/2	BLACK	0.44	0.94	0.12	4.17	0.81	0.56	2.99	1.75
IS-3/0L2	3/0 AWG	1/2	ORANGE	0.49	0.98	0.13	4.29	0.90	0.62	2.99	1.75
IS-3/0-38L2		3/8	ORANGE	0.49	0.98	0.13	3.11	0.90	0.62	1.81	1.0
IS-4/0L2	4/0 AWG	1/2	PURPLE	0.55	0.98	0.13	4.29	1.00	0.69	2.99	1.75
IS-4/0-38L2		3/8	PURPLE	0.55	0.98	0.13	3.11	1.00	0.69	1.81	1.0
IS-250L2	250 MCM	1/2	YELLOW	0.59	1.06	0.15	4.41	1.09	0.75	2.99	1.75
IS-250-38L2		3/8	YELLOW	0.59	1.06	0.15	3.23	1.09	0.75	1.81	1.0
IS-300L2	300 MCM	1/2	WHITE	0.66	1.06	0.15	4.41	1.19	0.81	2.99	1.75
IS-350L2	350 MCM	1/2	RED	0.70	1.10	0.17	4.53	1.28	0.87	2.99	1.75
IS-350-38L2		3/8	RED	0.70	1.10	0.17	3.35	1.28	0.87	1.81	1.0
IS-400L2	400 MCM	1/2	BLUE	0.76	1.18	0.18	4.69	1.39	0.95	2.99	1.75
IS-500L2	500 MCM	1/2	BROWN	0.84	1.38	0.22	4.88	1.54	1.06	2.99	1.75
IS-500-38L2	600 MCM	3/8	BROWN	0.84	1.38	0.22	3.70	1.54	1.06	1.81	1.0
IS-600L2		3/8	GREEN	0.93	1.50	0.25	4.96	1.72	1.19	2.99	1.75
IS600-12L2	750 MCM	1/2	GREEN	0.93	1.50	0.25	5.04	1.72	1.19	2.99	1.75
IS-750L2		1/2	BLACK	1.04	1.85	0.27	5.51	1.90	1.31	2.99	1.75

Electrical Rating :

- Voltage Rating : 600 V
- Maximum Circuit Rating: 35 kV
- Temperature Rating : 90° C

Standards :

UL 486A-486B
CSA C22.2 No.65
Wire Connectors

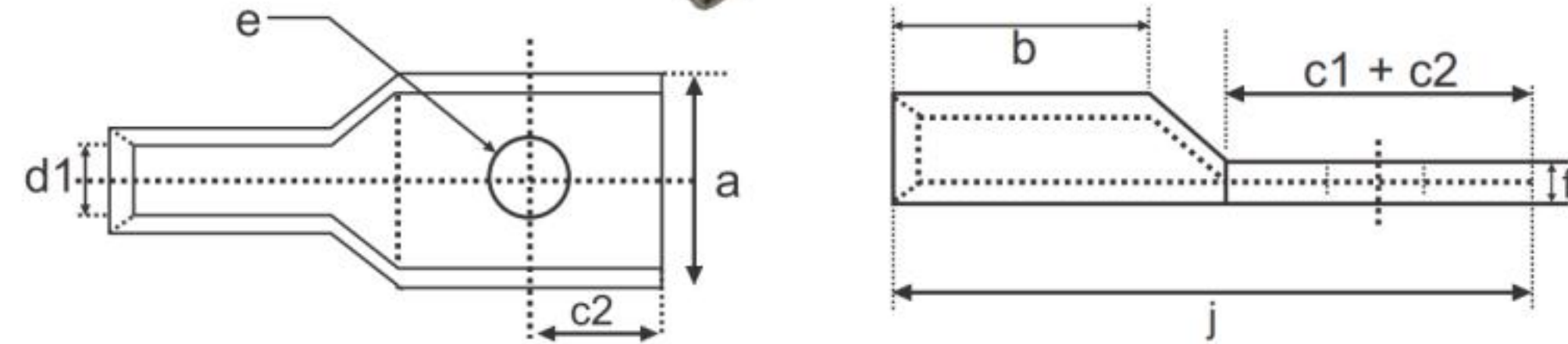
Certifications :



Copper Compression Lugs-long Barrel, One Holes

Application & Features :

- Used for reliable electrical connections.
- High conductivity seamless copper.
- Manufactured from high strength seamless copper tubing.
- Color coded die index and crimp marks.
- Electro-TiIn plated for corrosion resistance.



PART NUMBER	WIRE SIZE	BOLT/STUD SIZE (E)	COLOUR CODE	DIMENSIONS (IN.)						
				a	b	f	j	d1	c2	c1 + c2
ICRB-8L	# 8	1/4	RED	0.42	0.81	0.1	1.5	0.17	0.28	0.59
ICRB-6L	# 6	1/4	BLUE	0.42	0.98	0.1	1.8	0.20	0.30	0.67
ICRB-6L-38		3/8	BLUE	0.59	0.98	0.1	1.9	0.20	0.37	0.81
ICRB-6L-516		5/16	BLUE	0.59	0.98	0.1	1.9	0.20	0.37	0.81
ICRB-6L-10		10	BLUE	0.42	0.98	0.1	1.8	0.20	0.30	0.67
ICRB-4L	# 4	1/4	GREY	0.48	0.98	0.1	1.8	0.25	0.31	0.67
ICRB-4L-38		3/8	GREY	0.59	0.98	0.1	1.9	0.25	0.37	0.81
ICRB-4L-516		5/16	GREY	0.48	0.98	0.1	1.8	0.25	0.31	0.67
ICRB-4L-10		10	GREY	0.48	0.98	0.1	1.8	0.25	0.31	0.67
ICRB-2L	# 2	5/16	BROWN	0.60	1.10	0.1	2.1	0.31	0.37	0.81
ICRB-2L-38		3/8	BROWN	0.60	1.10	0.1	2.1	0.31	0.37	0.81
ICRB-2L-14		1/4	BROWN	0.60	1.10	0.1	2.1	0.31	0.37	0.81
IRCA-1L	# 1	5/16	GREEN	0.67	1.10	0.1	2.1	0.36	0.37	0.81
IRCA-1L-38		3/8	GREEN	0.67	1.10	0.1	2.1	0.36	0.37	0.81
IRCA-1/0L	1/0 AWG	5/16	PINK	0.74	1.20	0.1	2.2	0.39	0.37	0.81
IRCA-1/0L-38		3/8	PINK	0.74	1.20	0.1	2.2	0.39	0.37	0.81
IRCA-1/0L-12		1/2	PINK	0.74	1.20	0.1	2.5	0.39	0.47	1.06
IRCA-2/0L	2/0 AWG	3/8	BLACK	0.81	1.38	0.1	2.7	0.44	0.47	1.06
IRCA-2/0L-12		1/2	BLACK	0.81	1.38	0.1	2.7	0.44	0.47	1.06
IRCB-3/0L-38	3/0 AWG	3/8	ORANGE	0.90	1.38	0.1	2.8	0.49	0.47	1.06
IRCB-3/0L		1/2	ORANGE	0.90	1.38	0.1	2.8	0.49	0.47	1.06
IRCB-4/0L-38	4/0 AWG	3/8	PURPLE	1	1.42	0.1	2.8	0.55	0.52	1.06
IRCB-4/0L		1/2	PURPLE	1	1.42	0.1	2.8	0.55	0.52	1.06
IRCA-250L-38	250 MC	3/8	YELLOW	1.09	1.61	0.1	3.0	0.59	0.52	1.06
IRCA-250L		1/2	YELLOW	1.09	1.61	0.1	3.0	0.59	0.52	1.06
IRCA-300L	300 MCM	1/2	WHITE	1.18	1.97	0.1	3.4	0.66	0.52	1.06
IRCA-350L	350 MCM	1/2	RED	1.27	1.97	0.2	3.5	0.70	0.52	1.06
IRCA-350L-58		5/8	RED	1.27	1.97	0.2	2.3	0.70	0.51	1.06
IRCA-400L-12	400 MCM	1/2	BLUE	1.38	1.97	0.2	3.9	0.76	0.51	1.38
IRCA-400L		5/8	BLUE	1.38	1.97	0.2	3.9	0.76	0.67	1.38
IRCA-500L-12	500 MCM	1/2	BROWN	1.53	2.24	0.2	4.1	0.83	0.51	1.38
IRCA-500L		5/8	BROWN	1.53	2.24	0.2	4.1	0.83	0.67	1.38
IRCA-600L	600 MCM	5/8	GREEN	1.71	2.24	0.3	4.3	0.93	0.69	1.46
IRCA-750L	750 MCM	5/8	BLACK	1.9	2.64	0.3	5.2	1.03	0.69	1.85

Electrical Rating :

- Voltage Rating : 600 V
- Maximum Circuit Rating: 35 kV
- Temperature Rating : 90° C

Standards :

UL 486A-486B
CSA C22.2 No.65
Wire Connectors

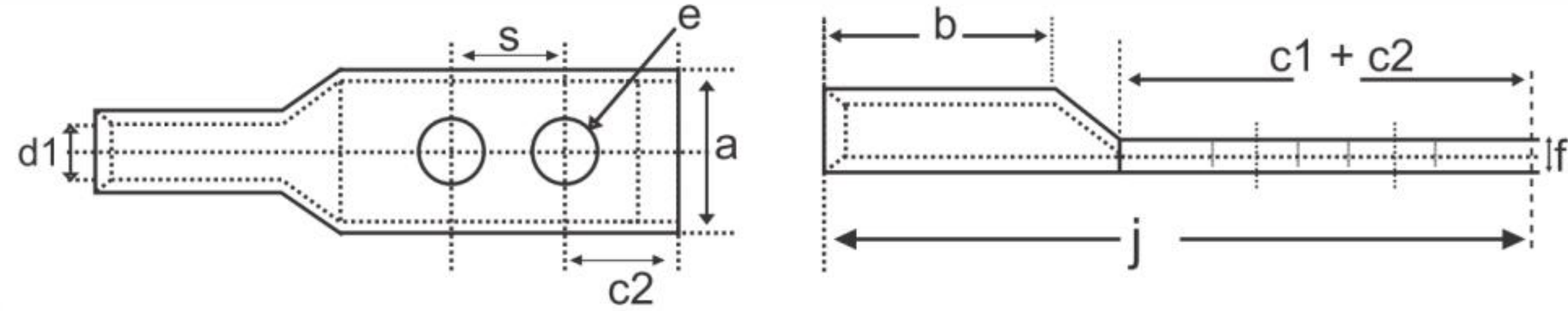
Certifications :



Copper Compression Lugs-long Barrel, Two Holes

Application & Features :

- Used for reliable electrical connections.
- High conductivity seamless copper.
- Manufactured from high strength seamless copper tubing.
- Color coded die index and crimp marks.
- Electro-TiIn plated for corrosion resistance.



PART NUMBER	WIRE SIZE	BOLT/STUD SIZE (E)	COLOUR CODE	DIMENSIONS (IN.)							
				a	b	f	j	d1	c2	c1 + c2	s
IRCB-8L2	# 8	10	RED	0.42	0.81	0.08	2.19	0.17	0.28	1.26	0.63
IRCB-8-14L2		1/4	RED	0.42	0.81	0.08	2.19	0.17	0.28	1.26	0.63
IRCB-6L2-14-58	# 6	1/4	BLUE	0.42	0.98	0.08	2.36	0.20	0.28	1.14	0.63
IRCB-6L2		1/4	BLUE	0.42	0.98	0.08	2.24	0.20	0.28	2.99	0.50
IRCB-6L2-12-134		1/2	BLUE	0.71	0.98	0.12	4.09	0.20	0.62	1.38	1.75
IRCB-6L2-12-34		1/4	BLUE	0.42	0.98	0.08	2.48	0.20	0.28	1.81	0.75
IRCB-6L2-38-1		3/8	BLUE	0.42	0.98	0.08	2.91	0.20	0.38	1.26	1.0
IRCB-4L2	# 4	1/4	GREY	0.49	0.98	0.09	2.36	0.25	0.28	1.81	0.63
IRCB-4L2-38-1		3/8	GREY	0.42	0.98	0.09	2.95	0.25	0.38	1.26	1.0
IRCA-4L2-14-34		1/4	GREY	0.49	0.98	0.09	2.52	0.25	0.28	1.65	0.75
IRCB-4L2-12-134		1/2	GREY	0.87	0.98	0.12	4.09	0.25	0.62	1.38	1.75
IRCB-2L2-31-34	# 2	0.31	BROWN	0.60	1.10	0.10	2.87	0.31	0.32	2.99	0.75
IRCB-2L2-38-1		3/8	BROWN	0.60	1.10	0.10	3.07	0.31	0.38	1.61	1.0
IRCB-2L2		1/4	BROWN	0.60	1.10	0.10	2.52	0.31	0.28	1.81	0.63
IRCB-2L2-14-34		1/4	BROWN	0.60	1.10	0.10	2.64	0.31	0.28	1.26	0.75
IRCB-2L2-31-78		0.31	BROWN	0.60	1.10	0.10	2.87	0.31	0.32	1.38	0.87
IRCB-2L2-12-134		1/2	BROWN	0.81	1.10	0.10	4.25	0.31	0.62	1.61	1.75
IRCB-1L2	# 1	1/4	GREEN	0.67	1.10	0.11	2.56	0.36	0.28	2.99	0.63
IRCB-1L2-38-1		3/8	GREEN	0.67	1.10	0.11	3.07	0.36	0.38	1.26	1.0
IRCB-1L2-14-34		1/4	GREEN	0.67	1.10	0.11	2.68	0.36	0.28	1.81	0.75
IRCB-1L2-38-78		3/8	GREEN	0.67	1.10	0.11	2.93	0.36	0.32	1.38	0.87
IRCB-1L2-12-134		1/2	GREEN	0.75	1.10	0.10	4.29	0.36	0.62	1.61	1.75
IRCB-1/0L2-31-78	1/0 AWG	0.31	PINK	0.74	1.20	0.13	3.01	0.39	0.32	2.99	0.87
IRCB-1/0L2		3/8	PINK	0.74	1.20	0.13	3.21	0.39	0.38	1.61	1.0
IRCB-1/0L2-38-1		1/2	PINK	0.74	1.20	0.12	4.63	0.39	0.62	1.81	1.75

Electrical Rating :

- Voltage Rating : 600 V
- Maximum Circuit Rating: 35 kV
- Temperature Rating : 90° C

Standards :

UL 486A-486B
CSA C22.2 No.65
Wire Connectors

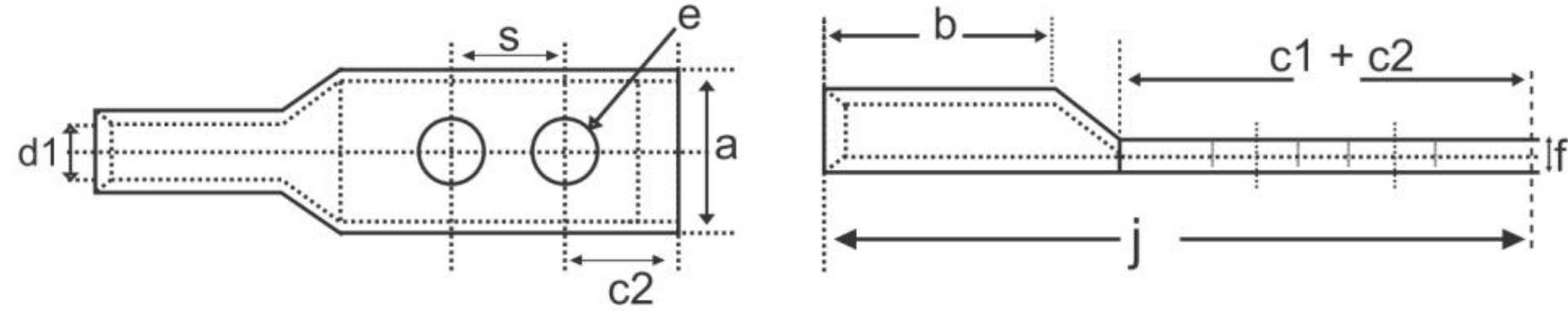
Certifications :



Copper Compression Lugs-long Barrel, Two Holes

Application & Features :

- Used for reliable electrical connections.
- High conductivity seamless copper.
- Manufactured from high strength seamless copper tubing.
- Color coded die index and crimp marks.
- Electro-TiIn plated for corrosion resistance.



PART NUMBER	WIRE SIZE	BOLT/STUD SIZE (E)	COLOUR CODE	DIMENSIONS (IN.)							
				a	b	f	j	d1	c2	c1 + c2	s
IRCB-2/0L2	2/0 AWG	3/8	BLACK	0.81	1.38	0.12	3.43	0.44	0.38	2.99	1.0
IRCB-2/0L2-14-34		1/4	BLACK	0.81	1.38	0.12	2.99	0.44	0.28	1.81	0.87
IRCB-2/0L2-12-134		1/2	BLACK	0.81	1.38	0.12	4.61	0.44	0.62	1.38	1.75
IRCB-3/0L2-31-1	3/0 AWG	0.31	ORANGE	0.90	1.38	0.13	3.50	0.49	0.32	1.81	1.0
IRCB-3/0L2-38-1		3/8	ORANGE	0.90	1.38	0.13	3.50	0.49	0.38	1.81	1.0
IRCB-3/0L2-38-134		3/8	ORANGE	0.90	1.38	0.13	4.65	0.49	0.38	2.99	1.75
IRCB-3/0L2-12-134		1/2	ORANGE	0.90	1.38	0.13	4.65	0.49	0.62	2.99	1.75
IRCB-4/0L2-38-1	4/0 AWG	3/8	PURPLE	1.00	1.42	0.13	3.54	0.49	0.38	1.81	1.0
IRCB-4/0L2-12-134		1/2	PURPLE	1.00	1.42	0.13	4.72	0.55	0.62	2.99	1.75
IRCA-250L2-38-1	250 MCM	3/8	YELLOW	1.09	1.61	0.15	3.78	0.59	0.38	1.81	1.0
IRCA-250L2-12-1		1/2	YELLOW	1.09	1.61	0.15	4.96	0.59	0.62	2.99	1.75
IRCA-300L2	300 MCM	1/2	WHITE	1.19	1.97	0.15	5.31	0.66	0.62	2.99	1.75
IRCA-350L2	350 MCM	1/2	RED	1.28	1.97	0.17	5.39	0.70	0.62	2.99	1.75
IRCA-350L2-38-1		3/8	RED	1.28	1.97	0.17	4.21	0.70	0.38	1.81	1.0
IRCA-400L2	400 MCM	1/2	BLUE	1.39	1.97	0.18	5.47	0.76	0.62	2.99	1.75
IRCA-500L2	500 MCM	1/2	BROWN	1.54	2.24	0.22	5.75	0.84	0.62	2.99	1.75
IRCA-500L2-38-1		3/8	BROWN	1.54	2.24	0.22	4.57	0.84	0.38	1.81	1.0
IRCA-600L2	600 MCM	1/2	GREEN	1.72	2.24	0.25	5.79	0.93	0.62	2.99	1.75
IRCA-600L2-38-1		3/8	GREEN	1.72	2.24	0.25	4.61	0.93	0.38	1.81	1.0
IRCA-750L2	750 MCM	1/2	BLACK	1.90	2.64	0.27	6.30	1.04	0.62	2.99	1.75
IRCA-750L2-38-1		3/8	BLACK	1.90	2.64	0.27	5.12	1.04	0.38	1.81	1.0

Electrical Rating :

- Voltage Rating : 600 V
- Maximum Circuit Rating: 35 kV
- Temperature Rating : 90° C

Standards :

UL 486A-486B
CSA C22.2 No.65
Wire Connectors

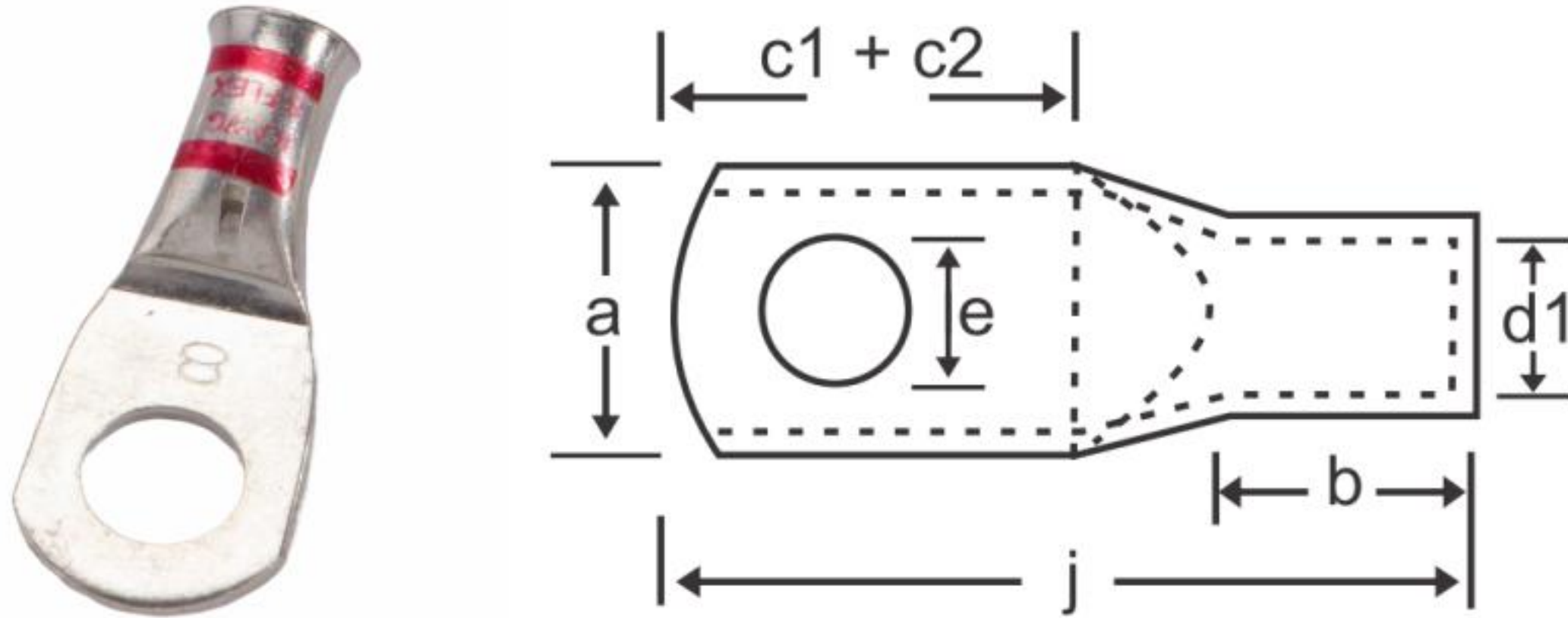
Certifications :



Copper Compression Lugs Single Hole Heavy Duty Series

Application & Features :

- Used for reliable electrical connections.
- High conductivity seamless copper.
- Manufactured from high strength seamless copper tubing.
- Color coded die index and crimp marks.
- Electro-TiIn plated for corrosion resistance.



PART NUMBER	WIRE SIZE	BOLT/STUD SIZE (E)	COLOUR CODE	DIMENSIONS (IN.)				
				a	b	j	d1	c1 + c2
ICS-8HD	# 8	1/4	RED	0.47	0.39	1.12	0.19	0.55
ICS-8HD-516		5/16	RED	0.51	0.39	1.38	0.19	0.79
ICS-8HD-38		3/8	RED	0.59	0.39	1.54	0.19	0.94
ICS-8HD-12		1/2	RED	0.67	0.39	1.65	0.19	1.02
ICS-6HD	# 6	1/4	BLUE	0.47	0.51	1.31	0.21	0.54
ICS-6HD-516		5/16	BLUE	0.55	0.51	1.48	0.21	0.71
ICS-6HD-38		3/8	BLUE	0.59	0.51	1.63	0.21	0.87
ICS-6HD-12		1/2	BLUE	0.67	0.51	1.77	0.21	0.98
ICS-4HD	# 4	1/4	GREY	0.55	0.59	1.48	0.27	0.59
ICS-4HD-38		3/8	GREY	0.67	0.59	1.65	0.27	0.79
ICS-4HD-516		5/16	GREY	0.63	0.59	1.81	0.27	0.94
ICS-4HD-12		1/2	GREY	0.67	0.59	1.89	0.27	1.02
ICS-1HD	# 1	1/4	PINK	0.79	0.79	1.85	0.39	0.79
ICS-1HD-516		5/16	PINK	0.79	0.79	1.85	0.39	0.79
ICS-1HD-38		3/8	PINK	0.79	0.79	2.01	0.39	0.94
ICS-1HD-12		1/2	PINK	0.83	0.79	2.21	0.39	1.02
ICS-1/0-HD	1/0 AWG	1/4	BLACK	0.87	0.79	1.97	0.45	0.79
ICS-1/0HD-516		5/16	BLACK	0.87	0.79	1.97	0.45	0.79
ICS-1/0HD-38		3/8	BLACK	0.87	0.79	2.13	0.45	0.94
ICS-1/0HD-12		1/2	BLACK	0.91	0.79	2.28	0.45	1.02
ICS-2/0HD-516	2/0 AWG	5/16	ORANGE	0.91	0.83	2.06	0.47	0.79
ICS-2/0HD-38		3/8	ORANGE	0.91	0.83	2.17	0.47	0.94
ICS-2/0HD-12		1/2	ORANGE	0.91	0.83	2.32	0.47	1.02
ICS-3/0HD	3/0 AWG	3/8	PURPLE	1.02	0.98	2.36	0.53	0.94
ICS-3/0HD-12		1/2	PURPLE	1.02	0.98	2.44	0.53	1.02
ICS-4/0HD	4/0 AWG	3/8	YELLOW	1.10	1.02	2.56	0.59	1.10
ICS-4/0HD-12		1/2	YELLOW	1.10	1.02	2.56	0.59	1.10

Electrical Rating :

- Voltage Rating : 600 V
- Maximum Circuit Rating: 35 kV
- Temperature Rating : 90° C

Standards :

UL 486A-486B
CSA C22.2 No.65
Wire Connectors

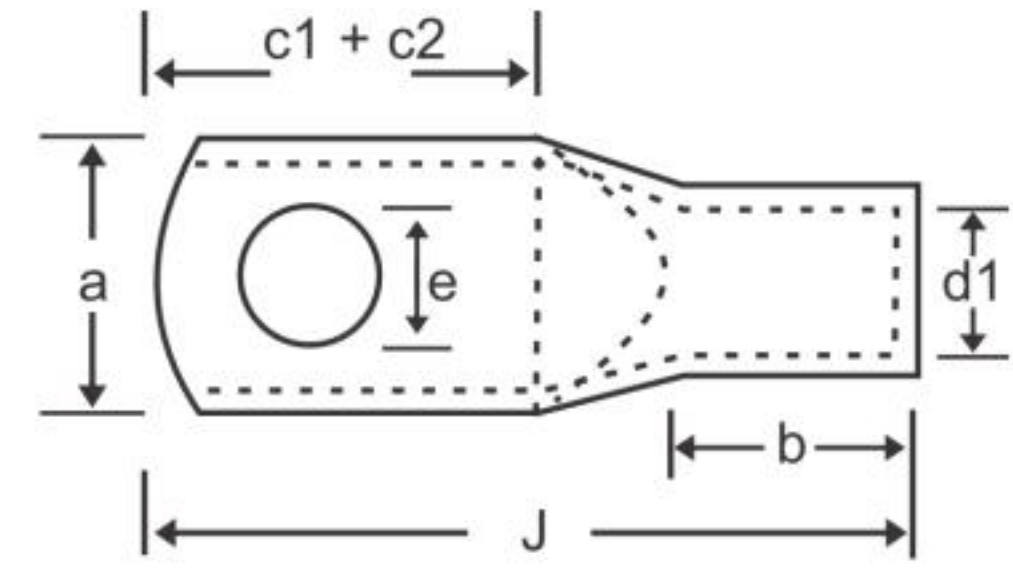
Certifications :



Copper Compression Lugs Single Hole Heavy Duty Series

Application & Features :

- Used for reliable electrical connections.
- High conductivity seamless copper.
- Manufactured from high strength seamless copper tubing.
- Color coded die index and crimp marks.
- Electro-TiIn plated for corrosion resistance.



PART NUMBER	WIRE SIZE	BOLT/STUD SIZE (E)	DIMENSIONS (IN.)				
			a	b	j	d1	c1 + c2
ISHT8-14	# 8	1/4"	0.46	0.55	1.44	0.19	0.68
ISHT8-10		10	0.46	0.55	1.44	0.19	0.68
ISHT8-516		5/16	0.46	0.55	1.44	0.19	0.68
ISHT8-38		3/8	0.57	0.55	1.61	0.19	0.79
ISHT8-12		1/2	0.65	0.55	1.89	0.19	0.98
ISHT6-14	# 6	1/4"	0.54	0.55	1.29	0.23	0.70
ISHT6-10		10	0.54	0.55	1.29	0.23	0.70
ISHT6-516		5/16	0.59	0.55	1.29	0.23	0.70
ISHT6-38		3/8	0.65	0.55	1.29	0.23	0.70
ISHT6-12		1/2	0.65	0.55	1.68	0.23	0.81
ISHT4-14	# 4	1/4"	0.54	0.58	1.60	0.28	0.80
ISHT4-516		5/16	0.54	0.58	1.60	0.28	0.80
ISHT4-38		3/8	0.57	0.58	1.60	0.28	0.80
ISHT4-12		1/2	0.65	0.58	1.60	0.28	0.80
ISHT2-14	# 2	1/4"	0.65	0.69	1.79	0.33	0.77
ISHT2-516		5/16	0.65	0.69	1.79	0.33	0.77
ISHT2-38		3/8	0.65	0.69	1.79	0.33	0.77
ISHT2-12		1/2	0.65	0.69	1.79	0.33	0.77
ISHT1-14	# 1	1/4"	0.66	0.71	1.81	0.35	0.69
ISHT1-516		5/16	0.66	0.71	1.81	0.35	0.69
ISHT1-38		3/8	0.66	0.71	1.81	0.35	0.69
ISHT1-12		1/2	0.66	0.71	1.81	0.35	0.69
ISHT1/0-14	1/0 AWG	1/4"	0.73	0.76	1.95	0.40	0.84
ISHT1/0-516		5/16	0.73	0.76	1.95	0.40	0.84
ISHT1/0-38		3/8	0.73	0.76	1.95	0.40	0.84
ISHT1/0-12		1/2	0.73	0.76	1.95	0.40	0.84
ISHT2/0-14	2/0 AWG	1/4"	0.82	0.83	2.24	0.46	0.96
ISHT2/0-516		5/16	0.82	0.83	2.24	0.46	0.96
ISHT2/0-38		3/8	0.82	0.83	2.24	0.46	0.96
ISHT2/0-12		1/2	0.82	0.83	2.24	0.46	0.96
ISHT3/0-14	3/0 AWG	1/4"	0.90	0.84	2.32	0.51	0.99
ISHT3/0-12		1/2"	0.90	0.84	2.32	0.51	0.99
ISHT4/0-38	4/0 AWG	3/8"	1.04	0.91	2.61	0.59	1.12
ISHT4/0-12		1/2"	1.04	0.91	2.61	0.59	1.12

Electrical Rating :

- Voltage Rating : 600 V
- Maximum Circuit Rating: 35 kV
- Temperature Rating : 90° C

Standards :

UL 486A-486B
CSA C22.2 No.65
Wire Connectors

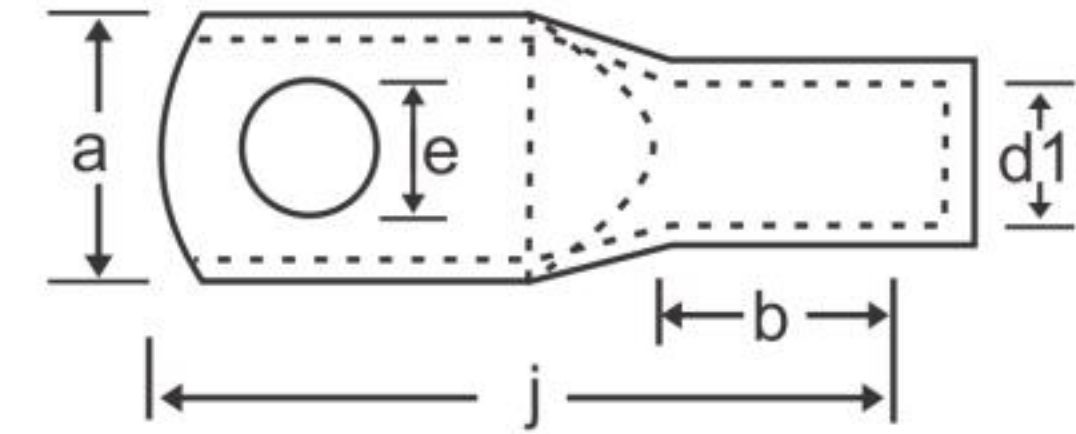
Certifications :



Copper Compression Lugs Single Hole Heavy Duty Standard Barrel Series

Application & Features :

- Used for reliable electrical connections.
- High conductivity seamless copper.
- Manufactured from high strength seamless copper tubing.
- Color coded die index and crimp marks.
- Electro-TiIn plated for corrosion resistance.



PART NUMBER	WIRE SIZE	BOLT/STUD SIZE (E)	DIMENSIONS (IN.)			
			a	b	j	d1
IMDL 6-5	# 8	M 5	9	10	30.5	3.8
IMDL 6-6		M 6	9.5	10	31.5	3.8
IMDL 6-8		M 8	12	10	34	3.8
IMDL 10-5	# 6	M 5	9	10	34	4.5
IMDL 10-6		M 6	9.5	10	34.5	4.5
IMDL 10-8		M 8	12	10	37	4.5
IMDL 16-6	# 6	M 6	12	20	43.5	5.5
IMDL 16-8		M 8	12	20	46	5.5
IMDL 16-10		M 10	15	20	48	5.5
IMDL 16-12		M 12	17	20	49	5.5
IMDL 25-6	# 4	M 6	14	20	45.5	7
IMDL 25-8		M 8	14	20	48	7
IMDL 25-10		M 10	16	20	50	7
IMDL 25-12		M 12	17	20	51	7
IMDL 35-6	# 2	M 6	17	20	49.5	8.2
IMDL 35-8		M 8	17	20	52	8.2
IMDL 35-10		M 10	17	20	54	8.2
IMDL 35-12		M 12	18	20	55	8.2
IMDL 35-14		M 14	21	20	56.5	8.2
IMDL 50-8	# 1	M 8	20	28	62	10
IMDL 50-10		M 10	20	28	64	10
IMDL 50-12		M 12	20	28	65	10
IMDL 50-14		M 14	20	28	66.5	10
IMDL 50-16		M 16	25	28	68	10
IMDL 70-8	2/0 AWG	M 8	24	28	65	11.5
IMDL 70-10		M 10	24	28	67	11.5
IMDL 70-12		M 12	24	28	68	11.5
IMDL 70-14		M 14	24	28	69.5	11.5
IMDL 70-16		M 16	27	28	71	11.5

Electrical Rating :

- Voltage Rating : 600 V
- Maximum Circuit Rating: 35 kV
- Temperature Rating : 90° C

Standards :

UL 486A-486B
CSA C22.2 No.65
Wire Connectors

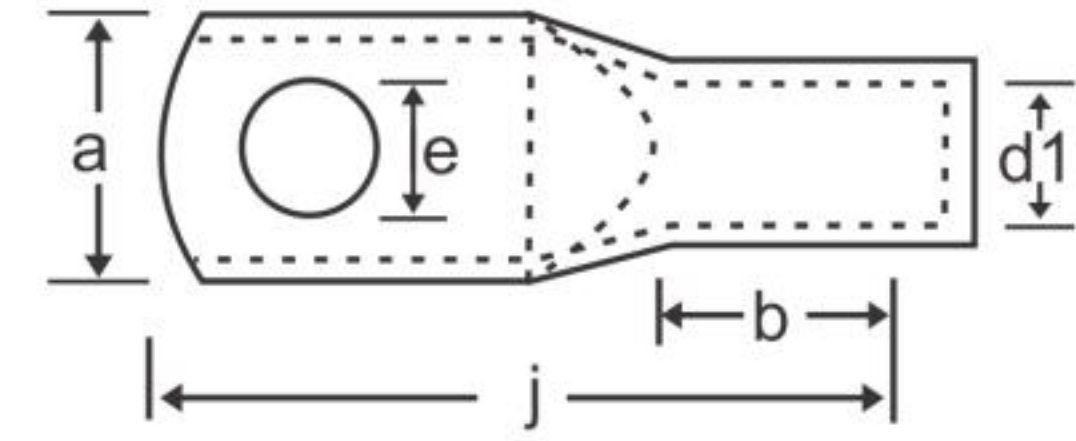
Certifications :



Copper Compression Lugs Single Hole Heavy Duty Standard Barrel Series

Application & Features :

- Used for reliable electrical connections.
- High conductivity seamless copper.
- Manufactured from high strength seamless copper tubing.
- Color coded die index and crimp marks.
- Electro-TiIn plated for corrosion resistance.



PART NUMBER	WIRE SIZE	BOLT/STUD SIZE (E)	DIMENSIONS (IN.)			
			a	b	j	d1
IMDL 95-8	3/0 AWG	M 8	27	35	77	13.5
IMDL 95-10		M 10	27	35	77	13.5
IMDL 95-12		M 12	27	35	78	13.5
IMDL 95-14		M 14	27	35	79.5	13.5
IMDL 95-16		M 16	27	35	81	13.5
IMDL 120-10	250 MCM	M 10	30.5	35	85	15.5
IMDL 120-12		M 12	30	35	86	15.5
IMDL 120-14		M 14	30	35	88	15.5
IMDL 120-16		M 16	30	35	89	15.5
IMDL 120-20		M 20	30	35	91	15.5
IMDL 150-10	300 MCM	M 10	34	35	93	17
IMDL 150-12		M 12	34	35	94	17
IMDL 150-14		M 14	34	35	97	17
IMDL 150-16		M 16	34	35	97	17
IMDL 150-20		M 20	34	35	99	17
IMDL 185-10	400 MCM	M 10	37	40	97	19
IMDL 185-12		M 12	37	40	98	19
IMDL 185-14		M 14	37	40	101	19
IMDL 185-16		M 16	37	40	101	19
IMDL 185-20		M 20	37	40	103	19
IMDL 240-12	500 MCM	M 12	42	40	108	21.5
IMDL 240-14		M 14	42	40	111	21.5
IMDL 240-16		M 16	42	40	111	21.5
IMDL 240-20		M 20	42	40	113	21.5
IMDL 300-14	600 MCM	M 14	46.5	50	119	24.5
IMDL 300-16		M 16	46.5	50	119	24.5
IMDL 300-20		M 20	46.5	50	122	24.5
IMDL 400-14	750 MCM	M 14	54	70	140	27.5
IMDL 400-16		M 16	54	70	140	27.5
IMDL 400-20		M 20	54	70	140	27.5

Electrical Rating :

- Voltage Rating : 600 V
- Maximum Circuit Rating: 35 kV
- Temperature Rating : 90° C

Standards :

UL 486A-486B
CSA C22.2 No.65
Wire Connectors

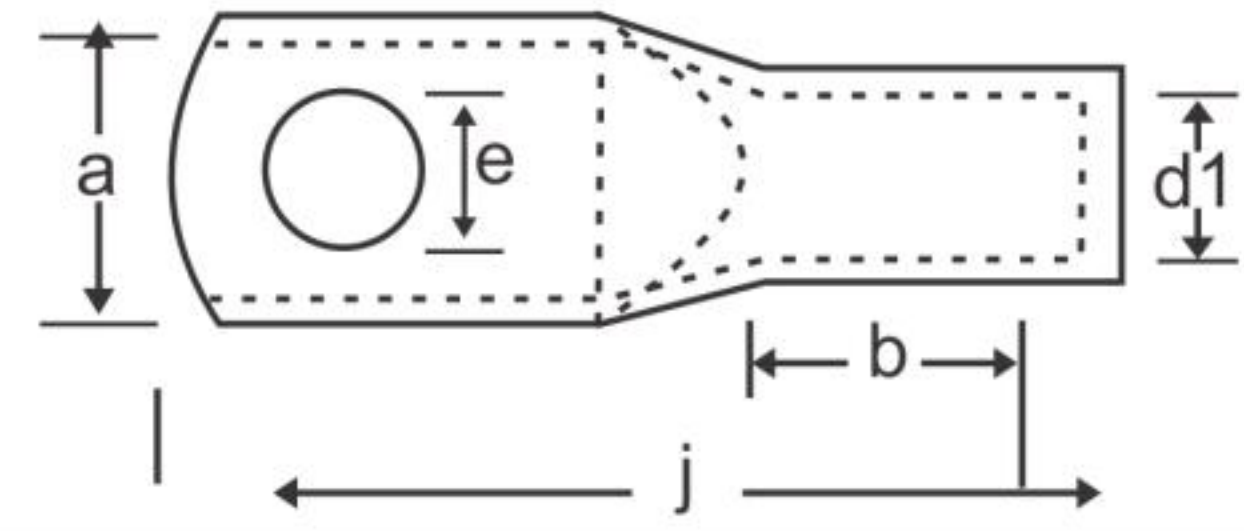
Certifications :



Copper Compression Lugs Single Hole Heavy Duty Long Barrel Series

Application & Features :

- Used for reliable electrical connections.
- High conductivity seamless copper.
- Manufactured from high strength seamless copper tubing.
- Color coded die index and crimp marks.
- Electro-TiIn plated for corrosion resistance.



PART NUMBER	WIRE SIZE	BOLT/STUD SIZE (E)	DIMENSIONS (IN.)			
			a	b	j	d1
IMLB 1.5-5	# 16	M 5	8	7	18	1.8
IMLB 1.5-6		M 6	9.5	7	20	1.8
IMLB 2.5-4	# 14	M 4	8.5	7	18	2.4
IMLB 2.5-5		M 5	9	7	20	1.8
IMLB 2.5-6		M 6	9.5	7	20	1.8
IMLB 2.5-8		M 8	12	7	24	2.4
IMLB 4-5	# 8	M 5	9.5	9	22	3.1
IMLB 4-6		M 6	9.5	9	22	3.1
IMLB 4-8		M 8	12	9	26	3.1
IMLB 6-5	# 6	M 5	9.5	9	23	3.8
IMLB 6-6		M 6	11	9	27	3.8
IMLB 6-8		M 8	12	9	27	3.8
IMLB 6-10		M 10	15	9	32	3.8
IMLB 10-5	# 6	M 5	11	10	27	4.7
IMLB 10-6		M 6	11	10	27	4.7
IMLB 10-8		M 8	13.5	10	29	4.7
IMLB 10-10		M 10	15	10	32	4.7
IMLB 10-12		M 12	17	10	37	4.7
IMLB 16-6	# 4	M 6	11	19	37	5.5
IMLB 16-8		M 8	13.5	19	39	5.5
IMLB 16-10		M 10	15	19	41	5.5
IMLB 16-12		M 12	17	19	46	5.5
IMLB 25-6	# 3	M 6	13.5	21	41	7.1
IMLB 25-8		M 8	13.5	21	41	7.1
IMLB 25-10		M 10	15.5	21	44	7.1
IMLB 25-12		M 12	17	21	48	7.1
IMLB 35-6	# 2	M 6	15.5	21	44	8.2
IMLB 35-8		M 8	15.5	21	44	8.2
IMLB 35-10		M 10	16	21	46	8.2
IMLB 35-12		M 12	17	21	50	8.2
IMLB 50-6	# 2	M 6	18	22	48	9.5
IMLB 50-8		M 8	18	22	48	9.5
IMLB 50-10		M 10	18	22	48	9.5
IMLB 50-12		M 12	19	22	52	9.5

Electrical Rating :

- Voltage Rating : 600 V
- Maximum Circuit Rating: 35 kV
- Temperature Rating : 90° C

Standards :

UL 486A-486B
CSA C22.2 No.65
Wire Connectors

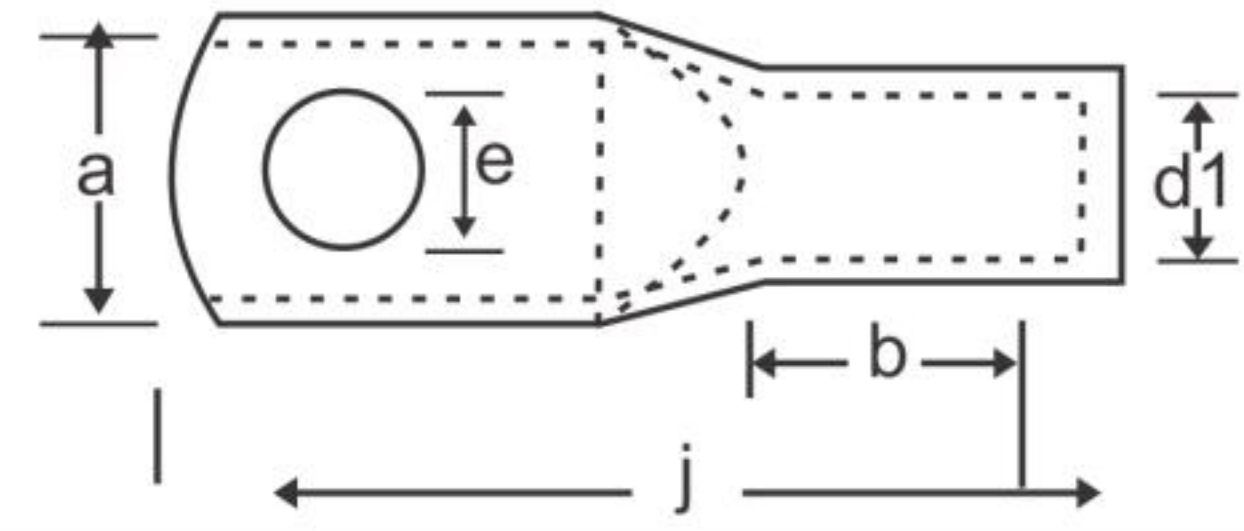
Certifications :



Copper Compression Lugs Single Hole Heavy Duty Long Barrel Series

Application & Features :

- Used for reliable electrical connections.
- High conductivity seamless copper.
- Manufactured from high strength seamless copper tubing.
- Color coded die index and crimp marks.
- Electro-TiIn plated for corrosion resistance.



PART NUMBER	WIRE SIZE	BOLT/STUD SIZE (E)	DIMENSIONS (IN.)			
			a	b	j	d1
IMLB 70-6	2/0 AWG	M 6	21	24	54	11.2
IMLB 70-8		M 8	21	24	54	11.2
IMLB 70-10		M 10	21	24	54	11.2
IMLB 70-12		M 12	21	24	54	11.2
IMLB 70-16		M 16	27	24	64	11.2
IMLB 95-6	3/0 AWG	M 6	25	27	60	13.4
IMLB 95-8		M 8	25	27	60	13.4
IMLB 95-10		M 10	25	27	60	13.4
IMLB 95-12		M 12	25	27	60	13.4
IMLB 95-16		M 16	27	27	64	13.4
IMLB 120-6	250MCM	M 6	29	30	64	15.6
IMLB 120-8		M 8	29	30	64	15.6
IMLB 120-10		M 10	29	30	64	15.6
IMLB 120-12		M 12	29	30	64	15.6
IMLB 120-16		M 16	29	30	68	15.6
IMLB 120-20		M 20	32	30	81	15.6
IMLB 150-10	350MCM	M 10	32	30	71	16.7
IMLB 150-12		M 12	32	30	80	16.7
IMLB 150-16		M 16	32	30	80	16.7
IMLB 150-20		M 20	32	30	80	16.7
IMLB 185-10	400MCM	M 10	35	32	74	18.4
IMLB 185-12		M 12	35	32	83	18.4
IMLB 185-16		M 16	35	32	83	18.4
IMLB 185-20		M 20	38	32	84	18.4
IMLB 240	600MCM	BLK	40	38	92	21.2
IMLB 240-12		M 12	40	38	92	21.2
IMLB 300	750MCM	BLK	45	42	101	23.5
IMLB 300-12		M 12	45	42	101	23.5
IMLB 400		BLK	50	44	114	26.8

Electrical Rating :

- Voltage Rating : 600 V
- Maximum Circuit Rating: 35 kV
- Temperature Rating : 90° C

Standards :

UL 486A-486B
CSA C22.2 No.65
Wire Connectors

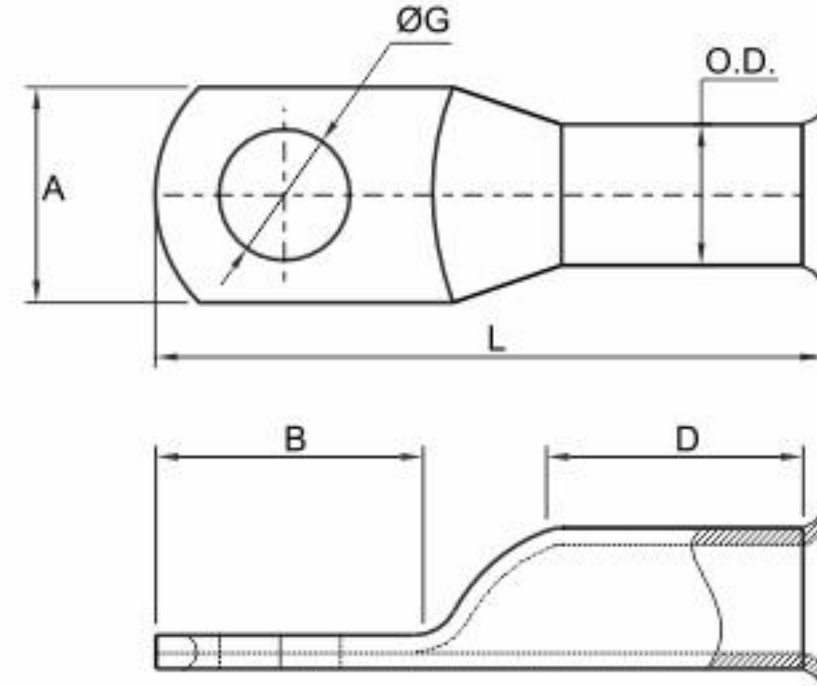
Certifications :



Copper compression lugs-Long barrel, One holes

Application & Features :

- Used to various automobile industries and other engineering applications.
- Widely demand due to excellent performance, high durability and resistivity.
- Prefect for replacing lugs from corrosion or building a new battery cable.
- Prefect for general wiring, power, starter and Ground connections.
- Material E-Copper.



PART NUMBER	WIRE SIZE	BOLT SIZE	DIMENSIONS (IN.)					
			O.D.	A	B	D	G	L
IABL-86	8	1/4"	6.3	11.58	17.15	13.97	6.4	36.66
IABL-88		5/16"	6.35	11.58	17.15	13.97	8.41	36.66
IABL-810		3/8"	6.35	14.48	17.15	13.97	10.49	36.66
IABL-812		1/2"	6.35	16.26	20.62	13.97	13	42.55
IABL-66	6	1/4"	7.92	13.72	17.78	13.97	6.4	37.29
IABL-68		5/16"	7.92	13.72	17.78	13.97	8.41	37.29
IABL-610		3/8"	7.92	13.72	17.78	13.97	10.49	37.29
IABL-612		1/2"	7.92	16.26	20.82	13.97	13	42.55
IABL-46	4	1/4"	9.04	13.72	20.32	14.73	6.4	40.64
IABL-48		5/16"	9.04	13.72	20.32	14.73	8.41	40.64
IABL-410		3/8"	9.04	14.48	20.32	14.73	10.49	40.64
IABL-412		1/2"	9.04	14.48	20.32	14.73	13	40.64
IABL-26	2	1/4"	10.67	16.51	19.61	17.02	6.4	43.94
IABL-28		5/16"	10.67	16.51	19.61	17.02	8.41	43.94
IABL-210		3/8"	10.67	16.51	19.61	17.02	10.49	43.94
IABL-212		1/2"	10.67	16.51	19.61	17.02	13	43.94
IABL-106	1/0	1/4"	12.65	18.59	21.34	19.3	6.4	48.56
IABL-108		5/16"	12.65	18.59	21.34	19.3	8.41	48.56
IABL-1010		3/8"	12.65	18.59	21.34	19.3	10.49	48.56
IABL-1012		1/2"	12.65	18.59	21.34	19.3	13	48.56
IABL-206	2/0	1/4"	14.22	20.83	24.38	21.59	6.4	55.88
IABL-208		5/16"	14.22	20.83	24.38	21.29	8.41	55.88
IABL-2010		3/8"	14.22	20.83	24.38	21.29	10.49	55.88
IABL-2012		1/2"	14.22	20.83	24.38	21.29	13	55.88
IABL-3010	3/0	3/8"	15.62	22.95	25.04	21.45	6.4	57.15
IABL-3012		1/2"	15.62	22.95	25.04	21.45	13	57.15
IABL-4010	4/0	3/8"	17.63	26.31	28.4	23.11	1.49	65.29
IABL-4012		1/2"	17.63	26.31	28.4	23.11	13	65.29

Electrical Rating :

- Voltage Rating : 600 V
- Maximum Circuit Rating: 35 kV
- Temperature Rating : 90° C

Standards :

UL 486A-486B
CSA C22.2 No.65
Wire Connectors

Certifications :



E532633



Copper Compression Sleeves, Short Barrel

Application & Features :

- Used to join two conductors end-to-end.
- Commonly used in electrical wiring, grounding, power distribution, and industrial cable terminations.
- Connectors suitable for application upto 35 KV Applications.
- Used for compact, concentric, flexible class B, C, K and DLO & Flex class H, G, M conductors.
- Tin plated to provide corrosion resistance.
- Marked with die index and color coded.
- Excellent electrical conductivity with strong mechanical connection.
- Short barrel use when space is limited.



PART NUMBER	WIRE SIZE	COLOUR	NO. OF. CRIMPS	DIMENSIONS IN MM		
				D1	D3	J
IBC8S-R	# 8	RED	2	0.17	0.27	0.90
IBC6S-B	# 6	BLUE	2	0.20	0.30	1.00
IBC4S-G	# 4	GREY	2	0.25	0.34	1.00
IBC2S-B	# 2	BROWN	3	0.31	0.42	1.25
IBC1S-G	# 1	GREEN	3	0.36	0.47	1.80
IBC1/0S-P	1/0 AWG	PINK	3	0.39	0.52	1.60
IBC2/0S-B	2/0 AWG	BLACK	3	0.44	0.56	1.90
IBC3/0S-O	3/0 AWG	ORANGE	3	0.49	0.62	1.75
IBC4/0S-P	4/0 AWG	PURPLE	3	0.55	0.69	1.90
IBC250S-Y	250 MCM	YELLOW	3	0.59	0.75	2.00
IBC300S-W	300 MCM	WHITE	3	0.66	0.81	2.10
IBC350S-R	350 MCM	RED	3	0.70	0.87	2.10
IBC400S-B	400 MCM	BLUE	3	0.76	0.95	2.30
IBC500S-B	500 MCM	BROWN	4	0.83	1.06	2.50
IBC600S-G	600 MCM	GREEN	4	0.93	1.19	2.50
IBC750S-B	750 MCM	BLACK	4	1.03	1.31	3.20

Electrical Rating :

- Voltage Rating : 600 V
- Maximum Circuit Rating: 35 kV
- Temperature Rating : 90° C

Standards :

UL 486A-486B
CSA C22.2 No.65
Wire Connectors

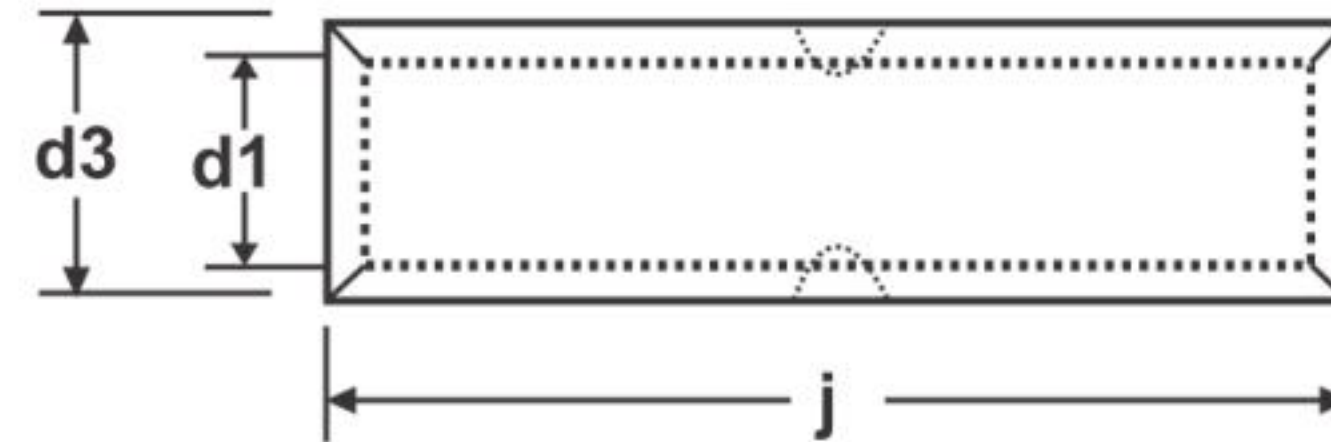
Certifications :



Copper Compression Sleeves, Long Barrel

Application & Features :

- Used to join two conductors end-to-end.
- Commonly used in electrical wiring, grounding, power distribution, and industrial cable terminations.
- Connectors suitable for application upto 35 KV Applications.
- Used for compact, concentric, flexible class. B, C, K and DLO & Flex class H, G, M conductors.
- Tin plated to provide corrosion resistance.
- Marked with die index and color coded.
- Excellent electrical conductivity with strong mechanical connection.
- Long barrel use when high mechanical strength is needed.



PART NUMBER	WIRE SIZE	COLOUR	NO. OF. CRIMPS	DIMENSIONS IN MM		
				D1	D3	J
IBC8L-R	# 8	RED	2	0.17	0.27	1.75
IBC6L-B	# 6	BLUE	2	0.20	0.30	1.75
IBC4L-G	# 4	GREY	2	0.25	0.34	1.75
IBC2L-B	# 2	BROWN	3	0.31	0.42	1.90
IBC1L-G	# 1	GREEN	3	0.36	0.47	2.20
IBC1/0L-P	1/0 AWG	PINK	3	0.39	0.52	2.20
IBC2/0L-B	2/0 AWG	BLACK	3	0.44	0.56	2.25
IBC3/0L-O	3/0 AWG	ORANGE	3	0.49	0.62	2.25
IBC4/0L-P	4/0 AWG	PURPLE	3	0.55	0.69	2.75
IBC250L-Y	250 MCM	YELLOW	3	0.59	0.75	3.25
IBC300L-W	300 MCM	WHITE	3	0.66	0.81	3.50
IBC350L-R	350 MCM	RED	3	0.70	0.87	3.75
IBC400L-B	400 MCM	BLUE	3	0.76	0.95	3.75
IBC500L-B	500 MCM	BROWN	4	0.83	1.06	4.25
IBC600L-G	600 MCM	GREEN	4	0.93	1.19	4.50
IBC750L-B	750 MCM	BLACK	4	1.03	1.31	4.75

Electrical Rating :

- Voltage Rating : 600 V
- Maximum Circuit Rating: 35 kV
- Temperature Rating : 90° C

Standards :

UL 486A-486B
CSA C22.2 No.65
Wire Connectors

Certifications :



Copper compression Butt Splice Connector

Application & Features :

- Used to join two conductors end-to-end to provide a permanent, low-resistance electrical connection.
- Commonly used in electrical wiring, grounding, power distribution, and industrial cable terminations.
- Connectors suitable for application upto 35 KV Applications.
- Used for compact, concentric, flexible class B, C, K and DLO & Flex class H, G, M conductors.
- Tin plated to provide corrosion resistance.
- Marked with die index and color coded.
- Excellent electrical conductivity with strong mechanical connection.



PART NUMBER	WIRE SIZE	MARKING INFORMATION	NO. OF. CRIMPS	DIMENSIONS IN MM		
				D1	D3	J
IBC8L	# 8	8 MH14-RED	3	0.19	0.28	1.18
IBC6L	# 6	6 MH14-BLU	3	0.21	0.34	1.38
IBC4L	# 4	4 UL 100-GREY	4	0.27	0.39	1.57
IBC1L	1	1-UL 140-PINK	4	0.39	0.55	1.97
IBC1/OL	1/0	2/0 UL155-BLK	4	0.45	0.61	1.97
IBC2/OL	2/0	2/0 UL166-ORG	4	0.47	0.65	2.17
IBC3/OSL	3/0	3/0 UL180-PUR	4	0.53	0.71	2.36
IBC4/OL	4/0	4/0 UL194-YEL	4	0.59	0.77	2.56

Electrical Rating :

- Voltage Rating : 600 V
- Maximum Circuit Rating: 35 kV
- Temperature Rating : 90° C

Standards :

UL 486A-486B
CSA C22.2 No.65
Wire Connectors

Certifications :



E532633



Copper Compression Sleeves - Short And Standard Butt Splices

Application & Features :

- Suitable for use at voltages up to 35 kV.
- stress relief instructions.
- 5 kV is the maximum voltage in all bare splices.
- Tin plated to provide corrosion resistance.



PART NUMBER	WIRE SIZE	NO. OF CRIMPS	DIMENSIONS IN MM		
			D1	D3	J
IL-1.5L	# 16	4	1.80	3.70	22.00
IL-2.5L	# 14	4	2.40	4.00	22.00
IL--4L	# 12	4	3.10	4.80	22.00
IL-6L	# 10	4	3.80	5.50	22.00
IL-6-22	# 6	4	4.70	7.10	22.00
IL-6-50	# 6	4	4.70	7.10	50.00
IL-6-44	# 6	4	5.50	7.90	44.00
IL-4L-40	# 4	4	7.00	10.00	50.00
IL-4L-48	# 4	4	7.10	9.50	48.00
IL-2	# 2	4	8.20	12.50	50.00
IL-2-48	# 2	4	8.20	11.20	48.00
IL-10	1/0 AWG	4	10.00	14.50	56.00
IL-10-48	1/0 AWG	4	9.50	12.80	48.00
IL-20	2/0 AWG	4	11.50	16.50	56.00
IL-20-52	2/0 AWG	4	11.20	14.70	52.00
IL-30	3/0 AWG	4	13.50	19.00	70.00
IL-30-54	3/0 AWG	4	13.40	17.40	54.00
IL-40	4/0 AWG	4	15.50	21.00	70.00
IL-40-66	4/0 AWG	4	15.60	20.60	66.00
IL-300S	300 MCM	4	17.00	23.50	80.00
IL-300-66	300 MCM	4	16.70	22.50	66.00
IL-350	350 MCM	4	19.00	25.50	85.00
IL-350-66	350 MCM	4	18.40	24.20	66.00
IL-500S	500 MCM	4	21.50	29.00	91.00
IL-500-90	500 MCM	4	21.20	28.20	90.00
IL-600	600 MCM	4	24.50	32.00	100.00
IL-600-91	600 MCM	4	23.50	31.30	91.00
IL-750	750 MCM	4	27.50	38.50	150.00
IL-750-91	750 MCM	4	26.80	34.80	91.00

Electrical Rating :

- Voltage Rating : 600 V
- Maximum Circuit Rating: 35 kV
- Temperature Rating : 90° C

Standards :

UL 486A-486B
CSA C22.2 No.65
Wire Connectors

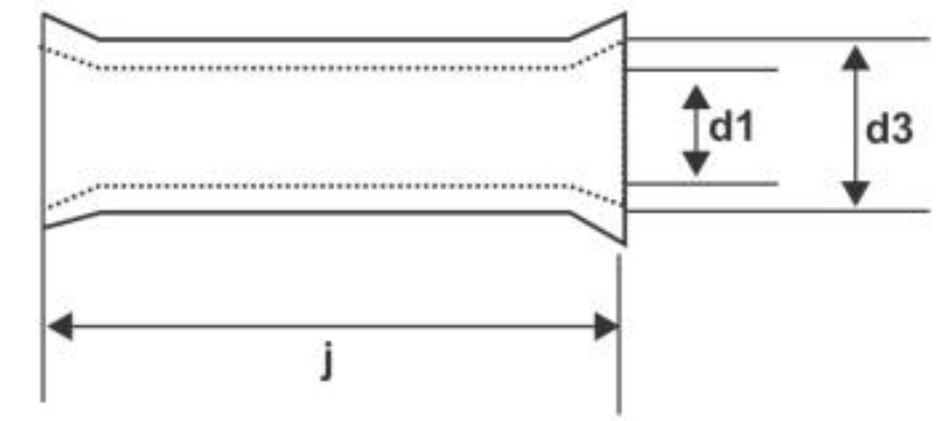
Certifications :



Flared Mouth Copper Butt Splice Connector

Application & Features :

- A flared mouth butt splice connectors used to allow easy conductor insertion and ensure proper positioning before crimping.
- Compact design with funnel entry and chamfered mouth for quick and reliable cable splicing.
- Material : E-copper.
- Suitable for applications up to 35 kV when used within a proper insulation system.



PART NUMBER	Wire Size	NO. OF. CRIMPS	Dimensions in MM		
			D1	D3	J
IBCT8	# 8	4	0.19	0.25	1.10
IBCT6	# 6	4	0.22	0.31	1.15
IBCT3	# 3	4	0.28	0.36	1.22
IBCT2	# 2	2	0.33	0.42	1.34
IBCT1	# 1	2	0.35	0.44	1.34
IBCT11	1/0 AWG	2	0.40	0.50	1.56
IBCT12	2/0 AWG	2	0.42	0.56	1.81
IBCT13	3/0 AWG	2	0.51	0.62	1.90
IBCT14	4/0 AWG	2	0.59	0.69	2.46

Electrical Rating :

- Voltage Rating : 600 V
- Maximum Circuit Rating: 35 kV
- Temperature Rating : 90° C

Standards :

UL 486A-486B
CSA C22.2 No.65
Wire Connectors

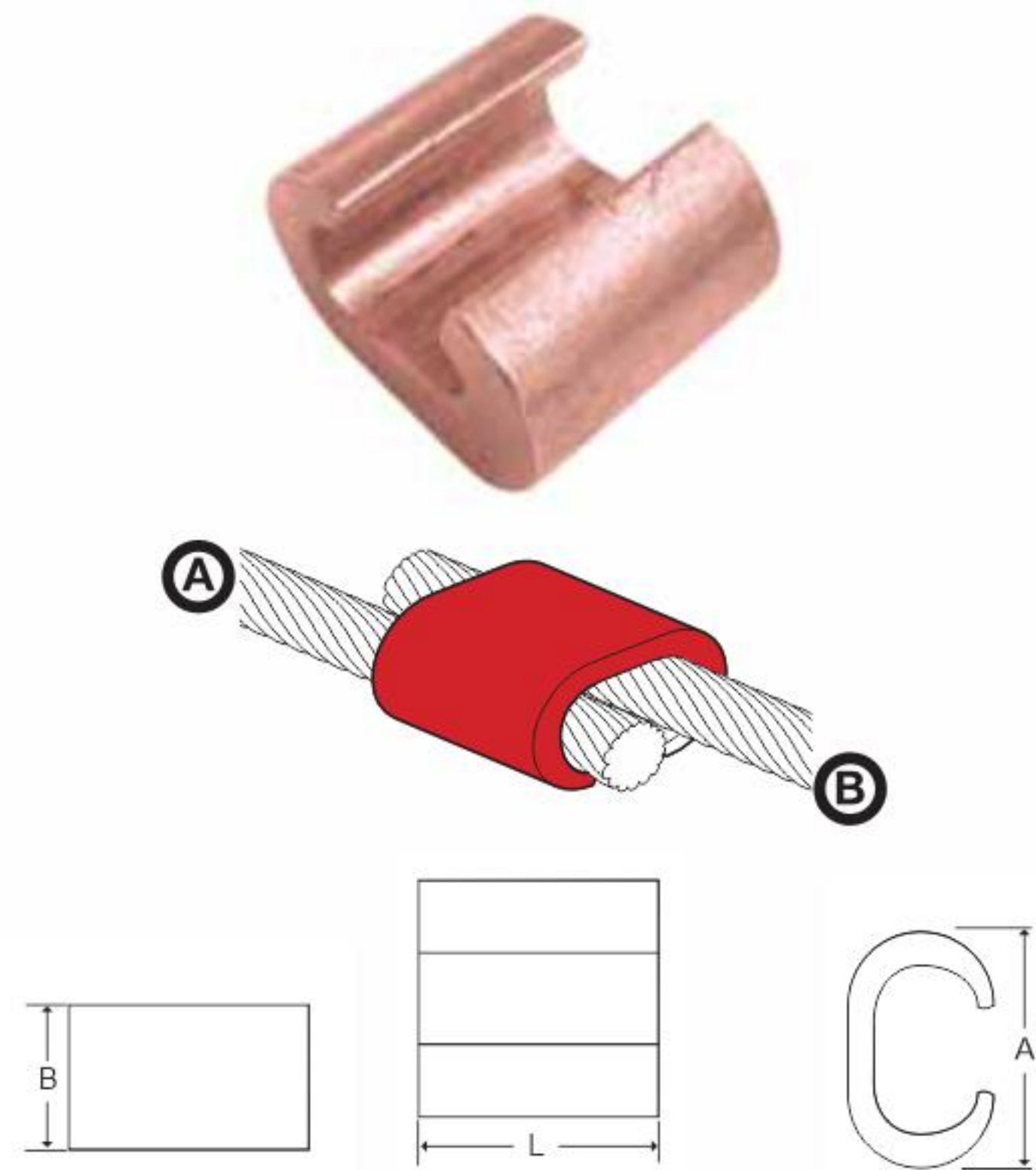
Certifications :



'C' Crimp Connectors - Compression Type

Application & Features :

- Copper C-crimps (also called C-type compression connectors) are C-shaped copper sleeves used to join two conductors permanently by compression crimping. They provide a strong, low-resistance electrical connection.
- Manufactured from high conductivity copper.
- Direct burial in earth or concrete.
- Low installation cost.
- Provides maximum conductivity and low contact resistance.
- Provides easy identification and tooling recommendation.
- Compact size allows for easy taping and insulation of connection.
- Allows for 2 continuous parallel conductor.
- Applications include copper tapping, Splicing/pig tailing.



Part No.	Cable Size (MM ²)	Dimensions in MM			Per Box
		A	B	L	
ICC025	25 - 25	20.6	12	21	30
ICC035	35 - 35	26.4	15.4	21	25
ICC050	50 - 50	34	21.2	28	20
ICC070	70 - 70	31	19.8	28	15
ICC095	95 - 95	40	25.5	29	10
ICC120	120 - 120	44	27	31	10
ICC150	150 - 150	44.5	29.7	35	10
ICC185	185 - 185	51.8	30	35	10
ICC240	240 - 240	57.7	33.6	35	10
ICC1635	16-35 / 50-70	33.4	21	23	10
ICC2550	25-50 / 70-95	40.8	26	28	10

Material : Copper Extruded Section Tightening torque Nm

Finish : Electro-Tinned / Untinned or Copper Plated

Note : For copper plated add suffix "C", for Tin Plated add Suffix "T"

Electrical Rating :

- Voltage Rating : 600 V
- Maximum Circuit Rating: 35 kV
- Temperature Rating : 90° C

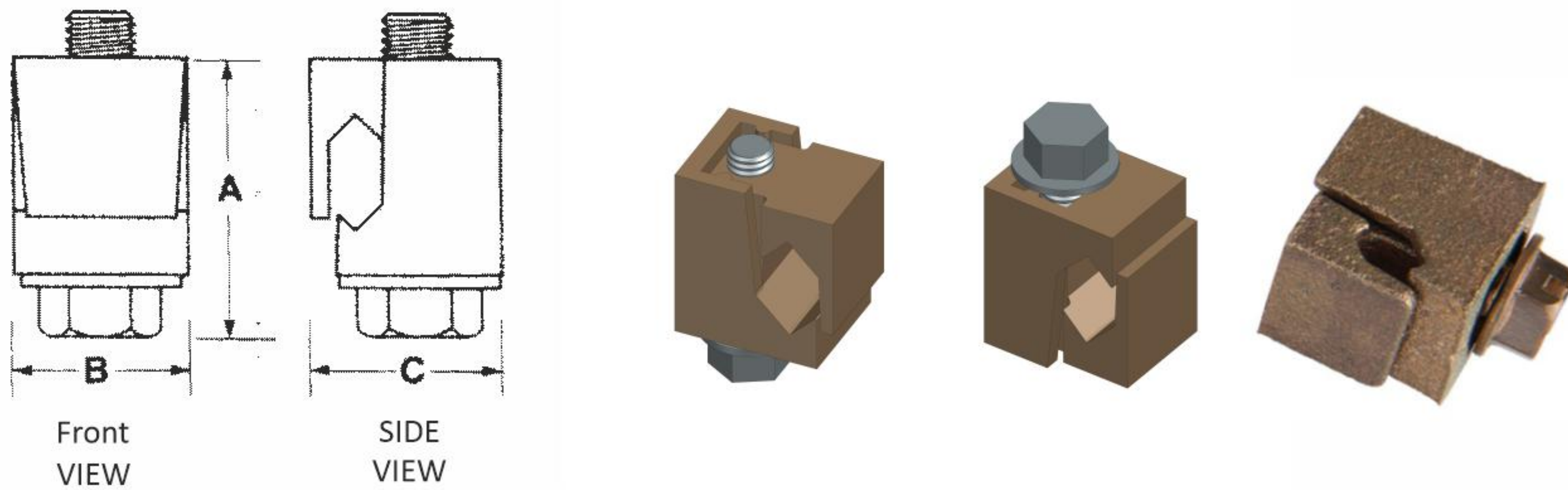


WISE GRIP CONNECTOR

Telecom & Ground Connectors

Application & Features :

- Use for copper connections-Splice, Loop deadend or service entrance tap or grounding connections
- One piece design for easier, faster installation
- Bolt head design for use with standard ratchet wrench
- Constructed from silicon bronze casting and feature an adjustable single hex head stainless screw bolt.
- They are used to connect various size grounding conductors.



Product Data & Conductor Size									
Part No.	CONDUCTOR RANGE		DIA. RANGE (2 COND. COMBO.)	A (MM)	B (MM)	C (MM)	BOLT HEAD (HEX.)	Weight EA. LB (KG)	Per Box
	MAX. 2 CONDUCTORS	MIN. 2 CONDUCTORS	DIA. EA. COND. MIN.-MAX.						
IVC8	#8 STR.	#14 SOL.	.091"-.146" (2.32-3.72)	7/8" (22.7)	5/8" (15.91)	5/8" (15.91)	3/8" (10)	.06 (.03)	----
IVC6	#6 SOL.	#10 SOL.	.101"-.162" (2.57-4.12)	1" (25.45)		3/4" (19.09)		.09 (.04)	----
IVC4	#4 STR.	#8 SOL.	.128"-.232" (3.26-5.9)	1-1/4" (31.81)	3/4" (19.09)	7/8" (22.27)	9/16" (14)	.16 (.07)	----
IVC2	#2 SOL.	#6 SOL.	.162"-.286" (4.12-7.28)	1-3/8" (34.99)		1" (25.45)		.18 (.08)	----
IVC2A	#2 STR.	#6 SOL.	.181"-.320" (4.61-8.14)	1-5/8" (41.36)	1-1/8" (28.63)	1-1/8" (28.63)	.28 (.13)	----	
IVC1/0	1/0 STR.	#4 SOL.	.204"-.390" (5.19-9.93)	1-7/8" (47.72)				1-1/4" (31.81)	.48 (.22)
IVC2/0	2/0 STR.	#2 SOL.	.229"-.438" (5.83-11.15)	2" (50.90)	1-3/8" (34.99)	----			
IVC4/0	4/0 STR.	#1 SOL.	.289"-.552" (7.36-14.05)	2-1/8" (54.08)	1" (25.45)	----			

Suffix "TP" is tin plated

Body - Copper Alloy

Bolts - Stainless Steel or Silicon Bronze Alloy

Electrical Rating :

- Voltage Rating : 600 V
- Maximum Circuit Rating: 35 kV
- Temperature Rating : 90° C



Parallel Groove Clamp

Application & Features :

- Parallel Groove clamps are commonly used in overhead power distribution systems, such as electrical transmission and distribution lines, to create reliable and low-resistance connections.
- They are built to provide long-lasting and reliable connections in outdoor and high-voltage applications.
- Aluminum Construction
- Dual rated for use with copper and aluminum conductors
- Parallel groove design provides a secure mechanical and electrical connection between conductors



ISPG1



ISPG2



ISPG3

PART NUMBER	WERE RANGE	DIMENSIONS (IN.)		
	AWG - CU, AL & ACSR	D	W	H
ISPG1	6 STR - 1/0 STR	1.22	1.56	2.25
ISPG2	6 STR - 2/0 STR	1.23	1.49	1.67
ISPG3	2 SOL - 4/0 STR	2.03	2.05	2.45

ISPG2 is Tin-Plated Aluminum One-Bolt Parallel Groove Clamp

Electrical Rating :

- Voltage Rating : 600 V
- Maximum Circuit Rating: 35 kV
- Temperature Rating : 90° C



U BOLT CONNECTORS

U Bolt Rod To Cable Clamp Type - SCE

- Heavy Duty Copper Alloy Double Plate Clamps are Suitable for Connecting Earth Rod with Stranded Cables / Round Conductors.



Body - Gunmetal, U Bolt - Copper

Part No.	Nominal Rod	Conductor	Weight	Per Box
	Diameter	Range mm ²	each	
URCS20185	12 - 20mm	35 - 185	0.39kg	5
URCS25300	16 - 25mm	70 - 300	0.39kg	5

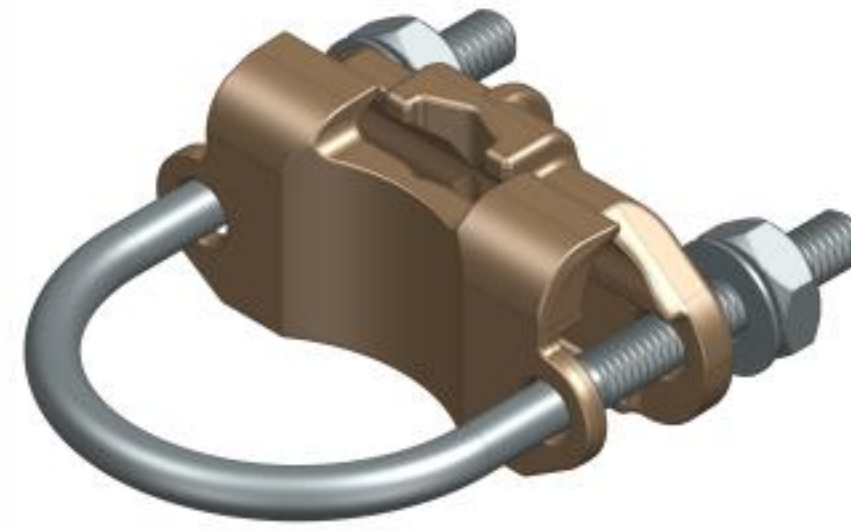
Body - Gunmetal

Bolts - Copper & Stainless Steel

Tightening torque 12 Nm

U Bolt Pipe To Cable Clamp Type - PUB

- These 'U' Bolt Pipe to Cable Clamp are used for universal parallel or 90 connection of cable to pipe.
- It is also used for fence post grounding connection



Part No.	Pipe	Conductor	Weight	Per Box
	Diameter	Range mm ²	each	
URPB1295	1/2"	35 - 95	0.25kg	5
URPB2095	3/4"	35 - 95	0.25kg	5
URPB2595	1"	35 - 95	0.25kg	5
URPB3195	1 1/4"	35 - 95	0.48kg	5
URPB3895	1 1/2"	35 - 95	0.48kg	5
URPB5095	2"	35 - 95	0.53kg	5
URPB6295	2 1/2"	35 - 95	0.62kg	5
URPB0395	3"	35 - 95	0.70kg	5
URPB0495	4"	35 - 95	0.80kg	5
URPB0595	5"	35 - 95	1.00kg	5
URPB0695	6"	35 - 95	1.20kg	5

Body - Gunmetal

Bolts - Copper & Stainless Steel

Tightening torque 12 Nm

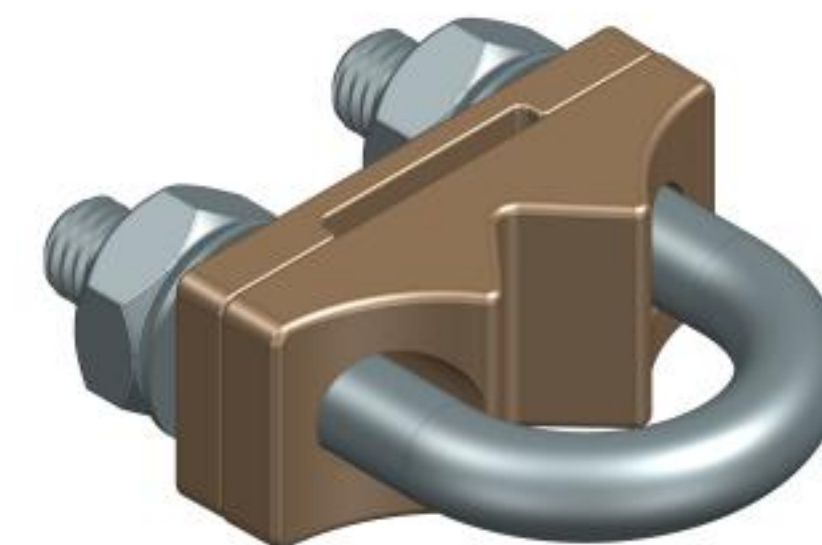
Electrical Rating :

- Voltage Rating : 600 V
- Maximum Circuit Rating: 35 kV
- Temperature Rating : 90° C



U Bolt Rod Clamps Type - E

Part No.	Nominal Rod		Hole Centres	Tape Width	Weight each	Per Box
	Diameter					
URC16	5/8"		37mm	-	0.20kg	5
URC20	3/4"		37mm	-	0.20kg	5
URC25	1"		37mm	-	0.20kg	5
URC31	1 ¼"		41mm	-	0.26kg	5
URC38	1½"		46mm	-	0.37kg	5
URC50	2"		64mm	-	0.44kg	5

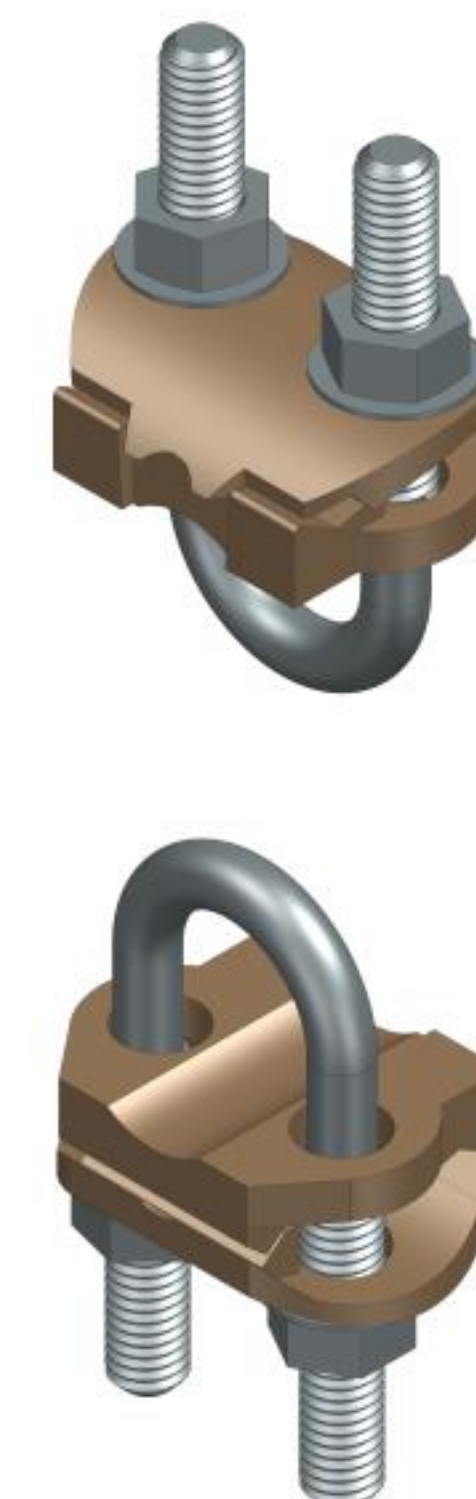


U Bolt Rod Clamps Type - E

Part No.	Nominal Rod		Hole Centres	Tape Width	Weight each	Per Box
	Diameter					
URCT25	5/8"		37mm	25mm	0.26kg	5
URCT25	3/4"		37mm		0.26kg	5
URCT25	1"		37mm		0.26kg	5
URCT31	1 ¼"		41mm	31mm	0.32kg	5
URCT38	1½"		46mm	38mm	0.38kg	5
URCT50	2"		64mm	50mm	0.44kg	5

U Bolt Rod To Cable Clamps Type - GUV

Part No.	Nominal Rod		Conductor Range	Weight each	Per Box
	Diameter				
URCC1695	5/8"	16mm	16 - 95mm ²	0.37kg	5
URCC1695	3/4"	20mm	16 - 70mm ²	0.37kg	5
URCC16185	5/8"	16mm	70 - 185mm ²	0.37kg	5
URCC16185	3/4"	20mm	70 - 150mm ²	0.37kg	5
URCC16300	5/8"	16mm	150 - 300mm ²	0.62kg	5
URCC16300	3/4"	20mm	150 - 300mm ²	0.62kg	5



Body - Gunmetal
Bolts - Copper & Stainless Steel

Tightening torque 12 Nm

Electrical Rating :

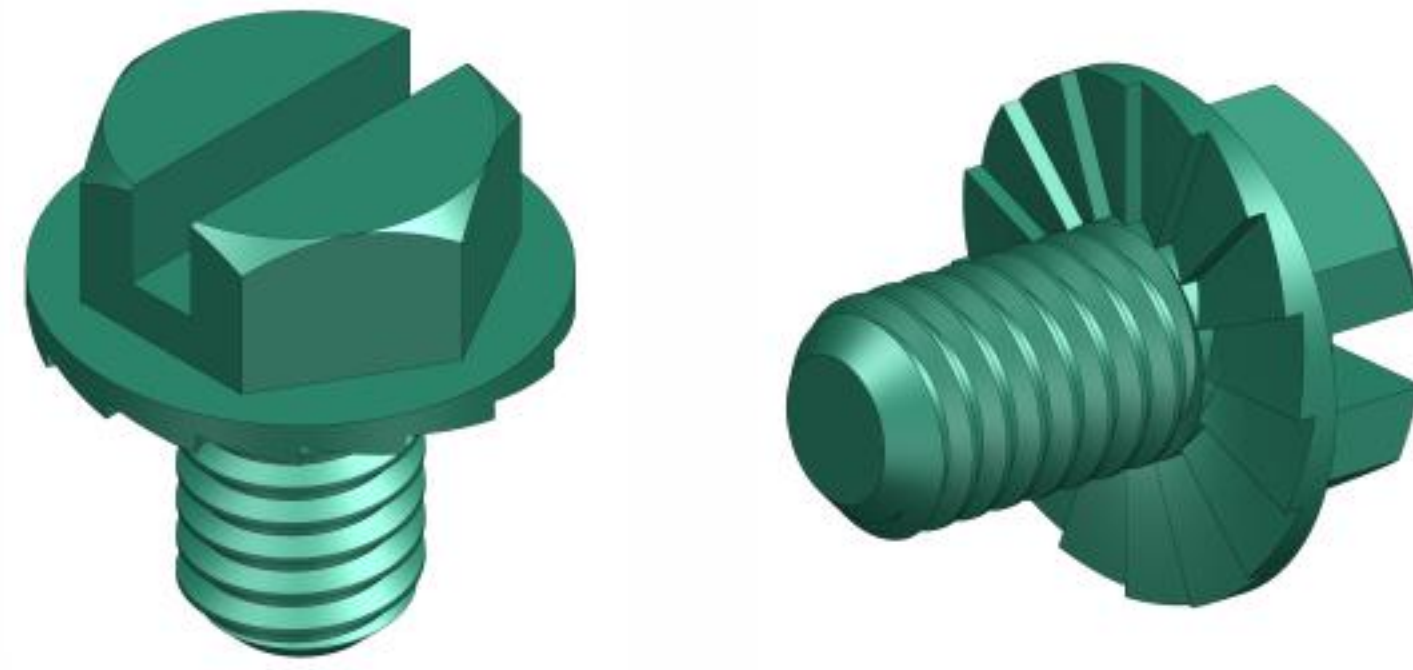
- Voltage Rating : 600 V
- Maximum Circuit Rating: 35 kV
- Temperature Rating : 90° C



Green Ground Screw

Application & Features :

- #10-32 screws
- Compatible with hex, Phillips and slotted
- Green zinc plated



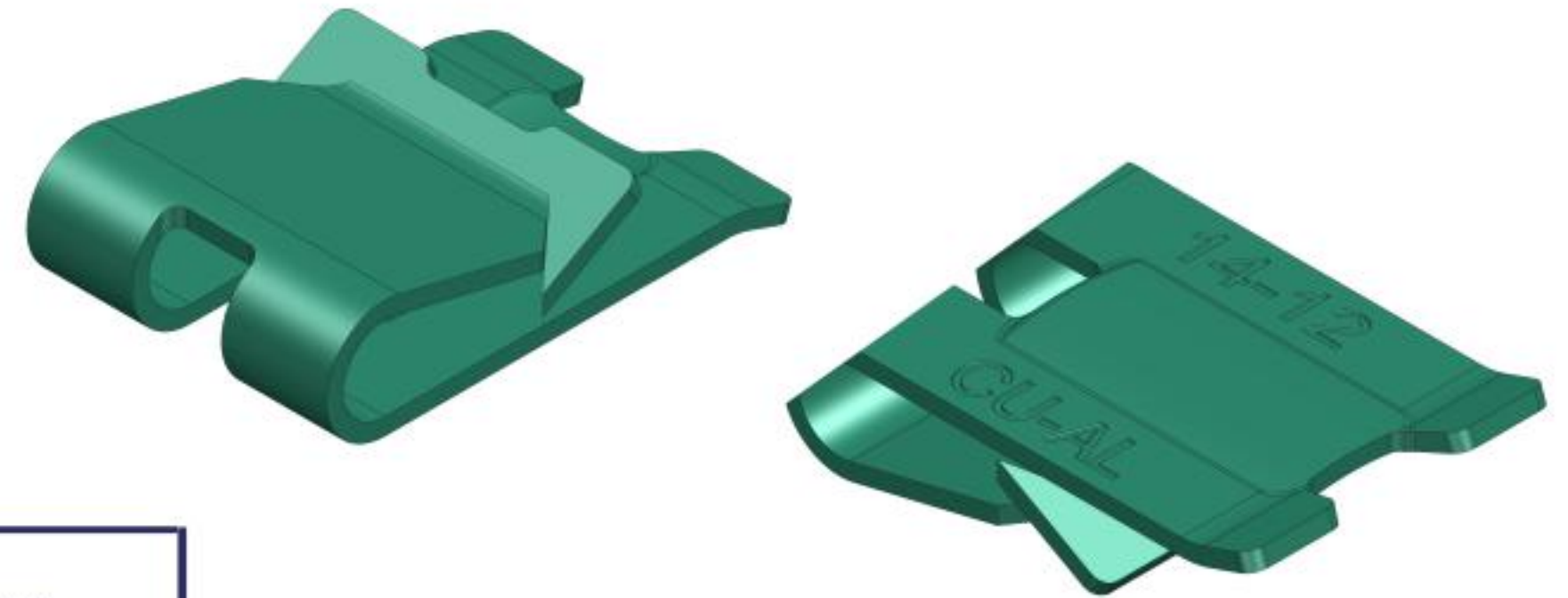
Part No.	Size	Weight / Case	Per Box
IGG10	10/32" x 3/8"	1	100

Bolts - Zinc Plated steel

Green Ground Clip

Application & Features :

- The Steel Grounding Clips are designed for bonding pigtails to grounded metal junction boxes.



Part No.	Size	Weight / Case	Per Box
IGG14	#14 & #12	3	100

Bolts - Zinc Plated steel

Electrical Ground Code Tag

Application & Features :

- Stamped with "WARNING: ELECTRICAL CONNECTION. DO NOT REMOVE"
- Aluminum Construction
- Pre-drilled hole for easy mounting
- Use to mark electrical service for improved safety
- Install on ground rod to comply with Chapter 86 of the Chicago Electrical Code



Part No.	Size (D X H X W)	Weight / Case	Per Box
IGCT	0.03" X 1.76" X 3.64"	1	100

Electrical Rating :

- Voltage Rating : 600 V
- Maximum Circuit Rating: 35 kV
- Temperature Rating : -



HEX BOLT

Size	1/4" , 5/16" , 3/8" , 1/2" , 5/8" , 3/4"
Alloy Range	C65100, Lead Free Brass & Copper Alloys
Plating	Zinc , Nickel , Copper & Tin
Standard	UNC, UNF, UN, UNEF, MM , BSW , BSF
Packing	As per customer requirements



NUT

Size	1/4" , 5/16" , 3/8" , 1/2" , 5/8" , 3/4"
Alloy Range	C65100, Lead Free Brass & Copper Alloys
Plating	Zinc , Nickel , Copper & Tin
Standard	UNC, UNF, UN, UNEF, MM , BSW , BSF
Packing	As per customer requirements



MACHINE SCREW

Size	1/4" , 5/16" , 3/8" , 7/16"
Alloy Range	C65100 , Lead Free Brass & Copper Alloys
Plating	Zinc , Nickel , Copper & Tin
Standard	UNC, UNF, MM , BSW , BSF
Packing	As per customer requirements



NAIL

Size	1.83 , 2.0 , 2.5 , 2.71 , 3.14 , 3.25 , 3.4
Alloy Range	C65100 , Lead Free Brass & Copper Alloys
Plating	Zinc , Nickel , Copper & Tin
Standard	Cross Hatch Head , Rose Head
Packing	As per customer requirements



WOOD SCREW

Size	4 , 6 , 8 , 10 , 12
Alloy Range	C65100, Lead Free Brass & Copper Alloys
Plating	Zinc , Nickel , Copper & Tin
Standard	Slotted & Square Flat, Slotted & square Round
Packing	As per customer requirements



WASHER

Size	1/4" , 5/16" , 3/8" , 1/2" , 5/8" , 3/4"
Alloy Range	C65100, Lead Free Brass & Copper Alloys
Plating	Zinc , Nickel , Copper & Tin
Standard	As per International Standard
Packing	As per customer requirements



SPRING WASHER

Size	1/4" , 5/16" , 3/8" , 1/2" , 5/8" , 3/4"
Alloy Range	C65100, Lead Free Brass & Copper Alloys
Plating	Zinc , Nickel , Copper & Tin
Standard	As per International Standard
Packing	As per customer requirements



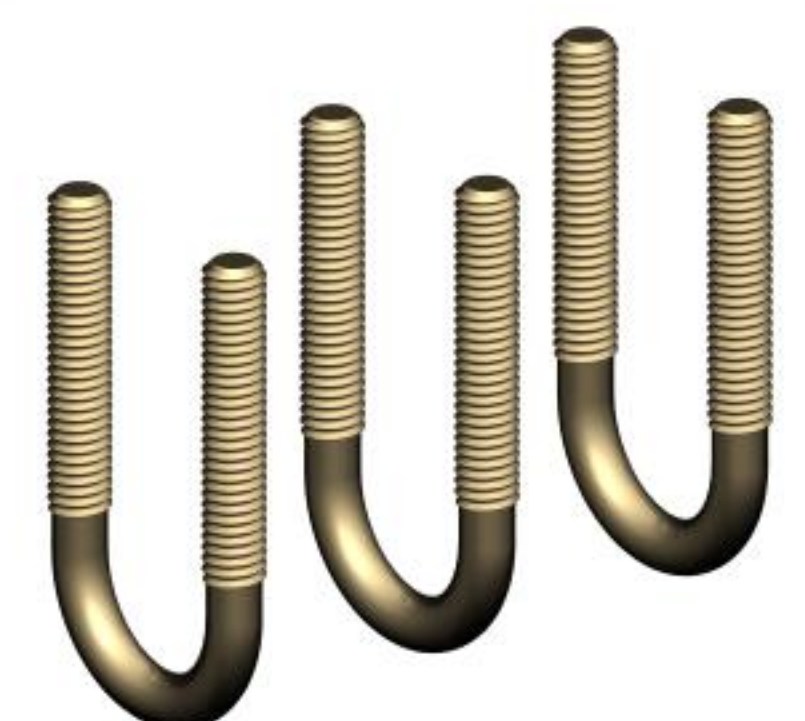
THREADED STUD

Size	5/16" , 3/8" , 1/2" , 5/8" , 3/4"
Alloy Range	C65100, Lead Free Brass & Copper Alloys
Plating	Zinc , Nickel , Copper & Tin
Standard	As per Customer Drawing
Packing	As per customer requirements



U-BOLT

Size	DIA : 4 -16 MM Length : 500 MM
Alloy Range	C65100, Lead Free Brass & Copper Alloys
Plating	Zinc , Nickel , Copper & Tin
Standard	As per Customer Drawing
Packing	As per customer requirements





AN ISO 9001:2015 CERTIFIED COMPANY



SCAN FOR



WEBSITE



LINKEDIN

Designed by :
BB : 99798 99294

Indian Metals Solutions Pvt. Ltd.

+91 90818 10388 | dj@indianmetalsolution.com | www.indianmetalsolutions.com

Works & Reg. Office : Plot No.3, Jay Hanuman Industrial Area, Moviya, Paddhari, Rajkot, Gujarat -360110, India.

Corporate Office : North 804 - Twinstar, 150 Feet Ring Road, near Balaji Hall, Rajkot, Gujarat, India. - 360002